



Electrical

Impedance	50 ohm
Frequency Range	DC-67 GHz
VSWR	1.3 max
Input Avg Power	2W@25°C ambient, derating linearly to 0.2W at 100°C
Peak Power	50W (5 micro-sec pulse width, 2% duty cycle)

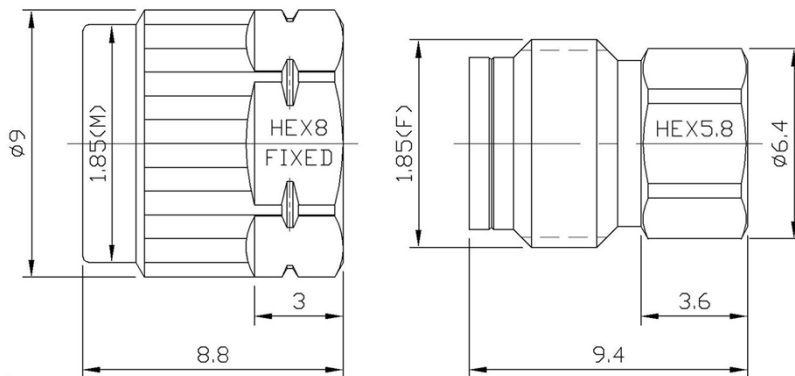
Mechanical

Connector Body	Passivated stainless steel
Center Contact	1.27um gold plated BeCu
Heat Sink	N/A

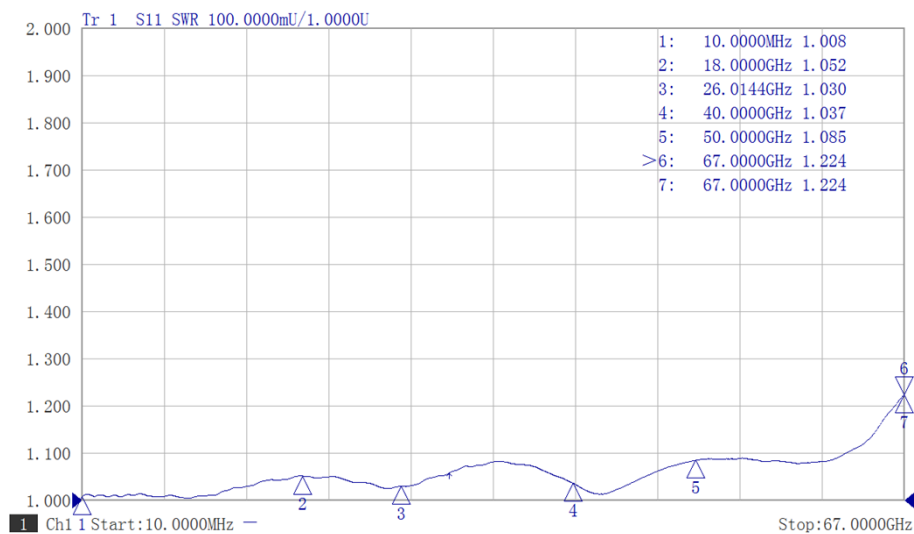
Environmental

Operating Temp	-55°C to 100°C
Storage Temp	-55°C to 125°C
RoHS	Compliant

Dimensions(mm)



Typical Test Data



Notes

1. Customized outlines and optimal VSWR available.