



Commercial CCR-53

Miniature DC-26.5GHz SPDT Switch

Failsafe

The CCR-53 Switch is a broadband, SPDT, electromechanical, coaxial switch designed to switch a microwave signal from a common input to either of two outputs. The characteristic impedance is 50 Ohms. The switches are small with connector spacing compatible with SMA connectors.

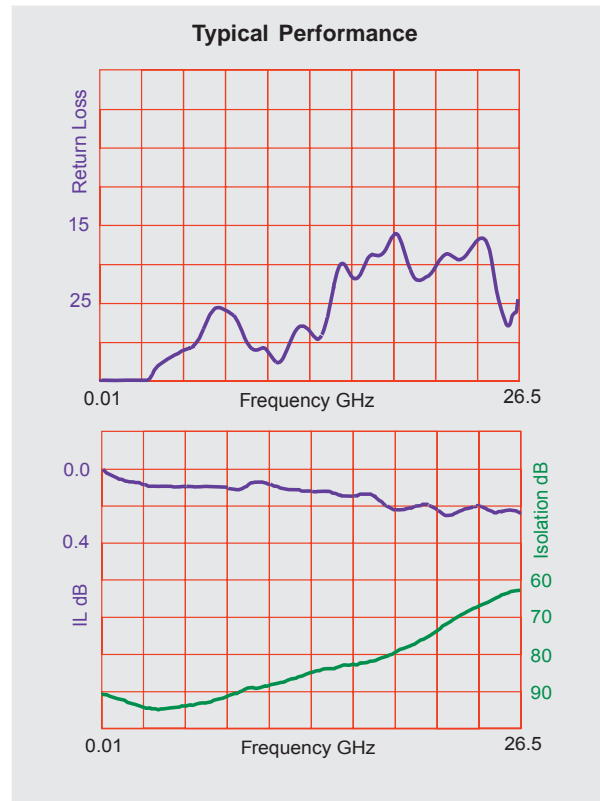
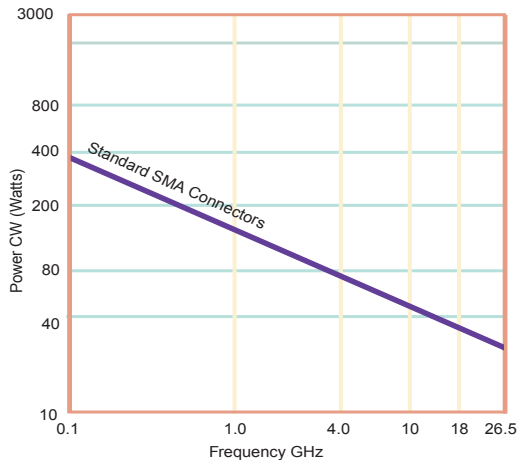
The CCR-53 series switch is offered with either a failsafe or latching actuator. This design is compatible with the two most common mounting hole patterns. The CCR-53 series switch is interchangeable with a variety of switches.

Specifications

RF Contacts:	Break before make			
Actuator	Voltage (VDC) 20°C	12	15	28
	Current (mA)	200	160	90
Switching Time:	20 msec max			
Connectors:	SMA (f)			
Weight:	1.65 oz. max			
Temperature Range:	-40°C to +65°C (Operating)			
Shock:	MIL-STD-202 Method 213, Condition D (500G Non Operating)			
Vibration:	MIL-STD-202 Method 214, Condition D (10G RMS Non Operating)			
Humidity:	Moisture Seal Available			
Typical Contact Life:	5 Million Cycles			
RF Power Handling				

Insertion Loss Repeatability (1 Million Cycles):

DC to 6 GHz: 0.05 dB
 DC to 20 GHz: 0.1 dB



Specifications	DC-6 GHz	6-12 GHz	12-18 GHz	18-26.5GHz
VSWR (max)	1.25:1	1.40:1	1.50:1	1.80:1
Insertion Loss (max)	0.20 dB	0.40 dB	0.50 dB	0.70 dB
Isolation (min)	70.0 dB	60.0 dB	60.0 dB	50.0 dB



Specifications subject to change without notice.

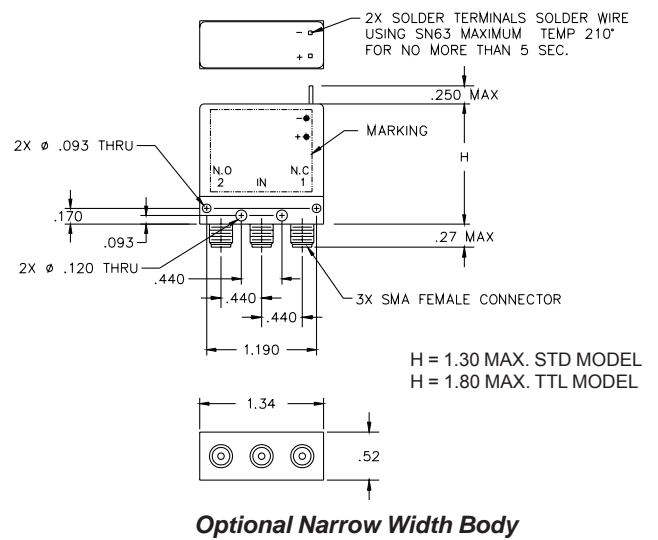
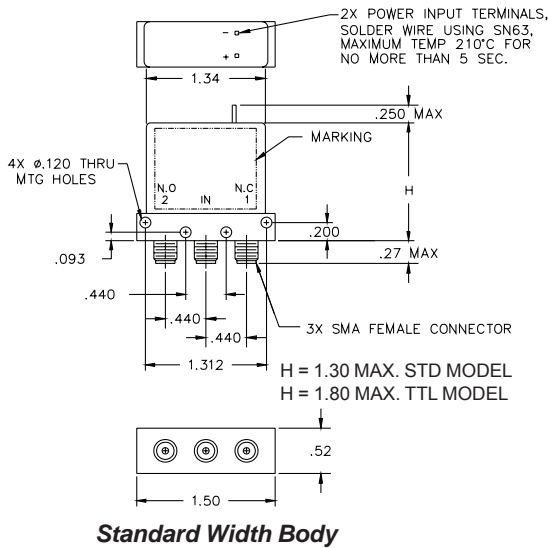
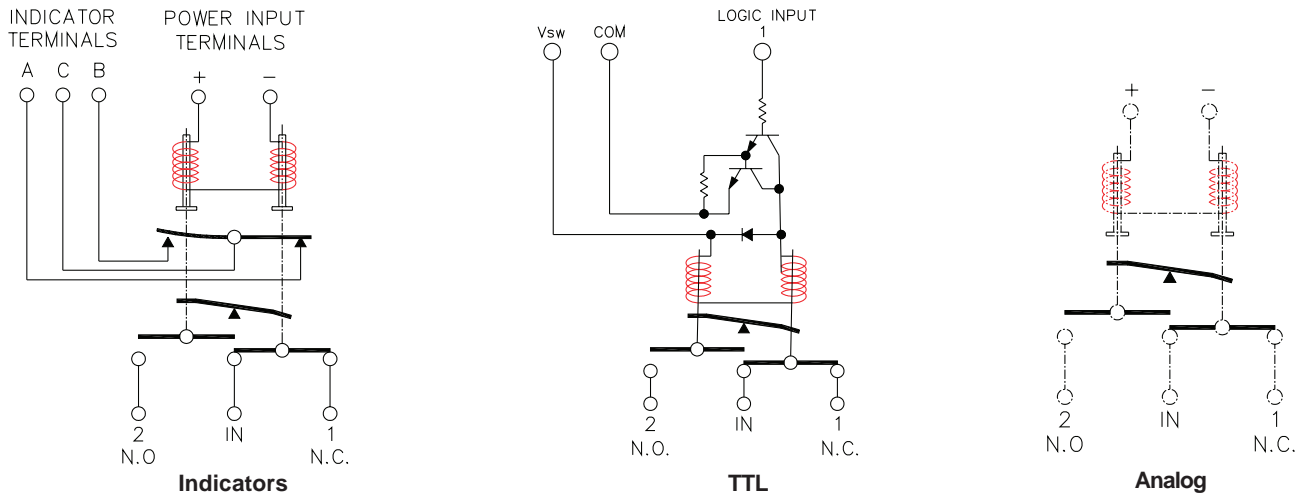
www.teledynecoax.com
 email: coax@teledyne.com

Tel: (800) 351-7368
 10/2007

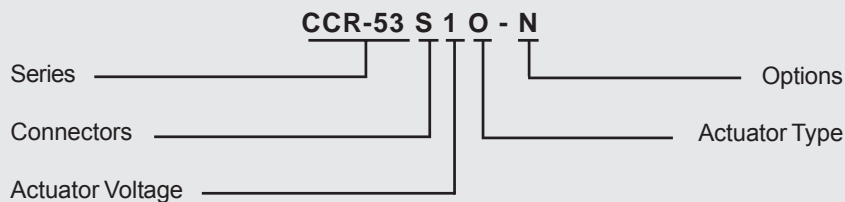
Commercial CCR-53

Miniature DC-26.5GHz SPDT Switch

Failsafe



Part Numbering System for CCR-53 (Failsafe)



Connector
S: SMA Female #

Actuator Voltage
1: 28Vdc Failsafe #
2: 15Vdc Failsafe #
3: 12Vdc Failsafe #

Actuator Type
O: No Indicator Contacts #
C: Indicator Contacts #

Options
T: TTL Drivers with Diodes
N: Narrow Body #
R: Positive + Common

For other options contact Factory

#: Stock item subject to prior sale



Specifications subject to change without notice.

www.teledynecoax.com
email: coax@teledyne.com

Tel: (800) 351-7368
10/2007