

Coaxial RF Termination

RFT2710S2

DC-27 GHz, SMA Male, 10 Watts



Rev 1

Electrical

Impedance	50 ohm
Frequency Range	DC-27 GHz
VSWR	1.3 max
Input Avg Power	10W@ 25°C ambient, derating linearly to 1W at 100°C
Peak Power	500W (5 micro-sec pulse width, 1% duty cycle)

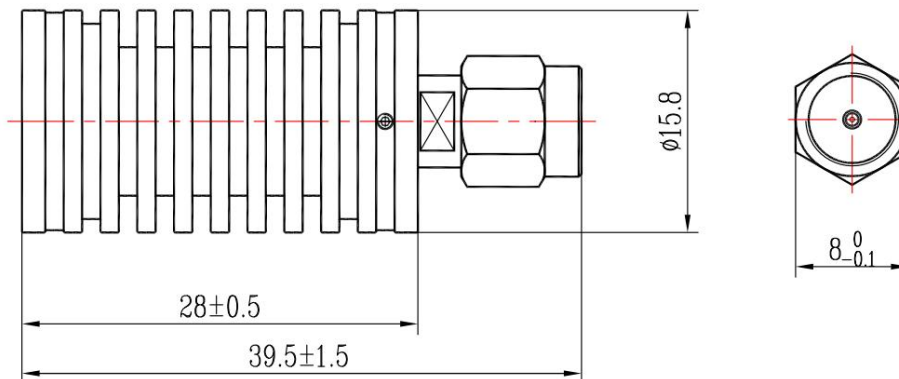
Mechanical

Connector Body	Passivated stainless steel
Center Contact	Gold plated brass
Heat Sink	Black anodized aluminum

Environmental

Operating Temp	-55°C to 100°C
Storage Temp	-55°C to 125°C
RoHS	Compliant

Dimensions(mm)



Typical Test Data

