

R584.LT.422



SP8T , Terminated , Coaxial Switches

Electrical Characteristics:

Parameter	Condition
Frequency range	DC-18GHz
Impedance	50 Ω
Operation mode	Latching
Switch sequence	Break before make
Switching time	15 ms max
Mechanical life	1 million min
Termination power CW	0.5W
Rated voltage	12 / 24 / 28 VDC
Operating current at 23 °C	290 / 150 / 120 mA

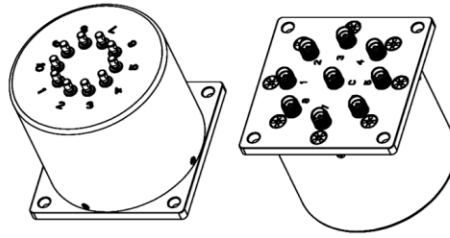
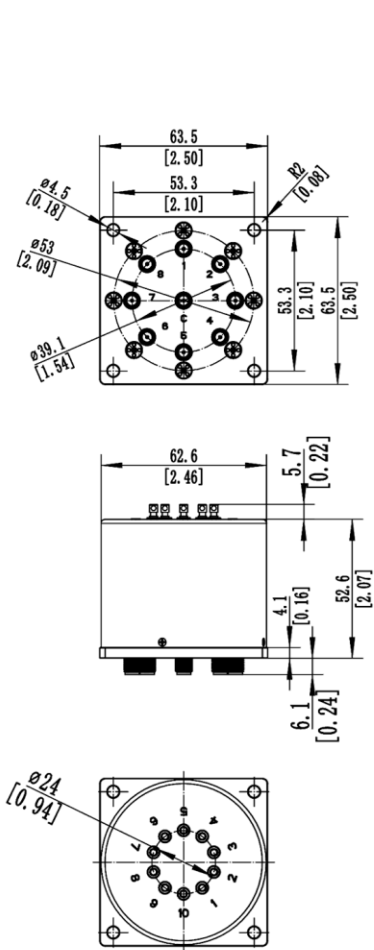
RF Specifications:

FREQUENCY RANGE(GHz)	DC-6	6-12	12-18
INSERTION LOSS (MAX) dB	0.3	0.4	0.5
ISOLATION (MIN) dB	80	70	60
V.S.W.R. (MAX)	1.3:1	1.4:1	1.5:1

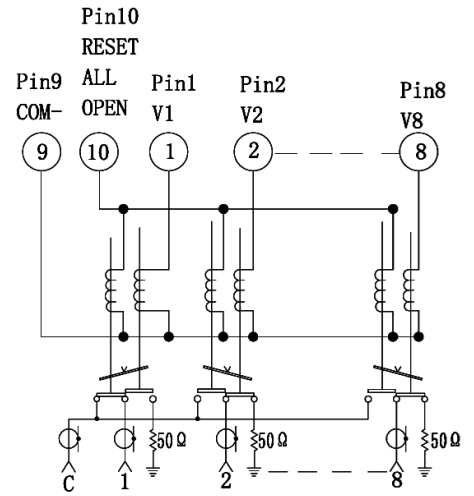
Environmental And Physical Characteristics:

Parameter	Condition
Operating temperature range	-25°C to +65°C (Standard) - 55°C to +85°C (Optional)
Sine vibration (Operating)	20-2000 Hz, 10g
Shocks (Non Operating)	50g / 11ms, ½ sine
RF Connector type	SMA Female
Control connector	Solder Pin
Weight	285g Max

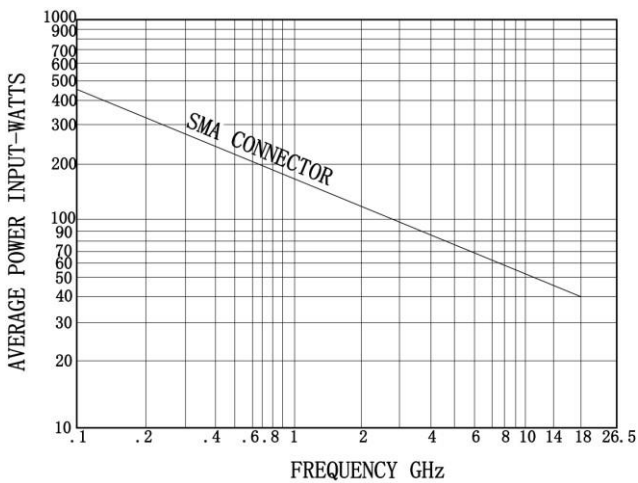
Outline Drawing: Unit: mm



Schematic :



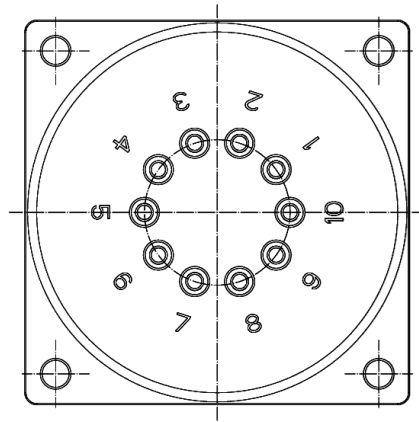
Average power : :



This graph is based on the following conditions:

- Ambient temperature: + 25 °C
- Sea level
- V.S.W.R.: 1 and cold switching

Pin Definition:



Solder Pin		RF Connect Used
Pin NO.	Function	SP8T
1	V1	1
2	V2	2
3	V3	3
4	V4	4
5	V5	5
6	V6	6
7	V7	7
8	V8	8
9	COM-	
10	+ Δ VDC RESET ALL OPEN	