

## SUMMARY



Image is for illustrative purpose only

### # Wires

Thermocouple 2

Series 1S  
Termination type Thermocouple  
IP rating 50  
AWG wire size 28.00 - 20.00  
Cable Ø 3.10 - 4.20 mm  
Status active  
Matching parts [ERA.1S.302.CLK](#)

### Download

[Request a quote](#)  
[Catalog](#)

## TECHNICAL DETAILS

### Mechanics

Shell Style/Model FLM\*: Elbow (90°) plug with cable collet

#### Keying

Housing Material Brass (chrome plated [SAE AMS 2460]) shell and collet nut, nickel plated [SAE AMS QQ N 290] brass latch sleeve and mid pieces

### Performance

Configuration 1S.302/ThC : 1 Thermocouple Pair  
Insulator L: PEEK (UL 94 / V-0/1.5)  
Rated Current 15 Amps

### Specifications

ThC. Materials (P+/N-): Chromel / Alumel

### Others

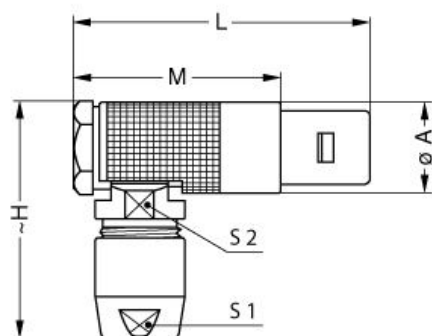
Endurance (Shell): 5000 mating cycles  
Temp (min / max): -55°C / +250°C  
Humidity (max): <=95% [at 60 deg C / 140 F]  
Vibration: 15 g [10 Hz - 2000 Hz]  
Shock Resistance: 100 g [ 6 ms]

LEMO products and services are provided "as is". LEMO makes no warranties or representations with regard to LEMO product & services or use of them, express, implied or statutory, including for accuracy, completeness, or security. The user is fully responsible for his products and applications using LEMO components.

Climatical Category: 50/175/21  
Shielding (min): 75 dB (10 MHz)  
Shielding (min): 40 dB (1 GHz)  
Salt Spray Corrosion: >144 hr

## DRAWINGS

### Draws



### Dimensions

	A	H	L	M	S1	S2
mm.	12.5	33.7	36	25	9	10
in.	0,49	1,33	1,42	0,98	0,35	0,39

## RECOMMENDED BY LEMO

### Tools

### Cables

LEMO products and services are provided "as is". LEMO makes no warranties or representations with regard to LEMO product & services or use of them, express, implied or statutory, including for accuracy, completeness, or security. The user is fully responsible for his products and applications using LEMO components.

# Mouser Electronics

Authorized Distributor

Click to View Pricing, Inventory, Delivery & Lifecycle Information:

[LEMO:](#)

[FLM.1S.302.CLKD42](#)