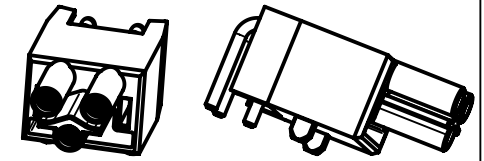
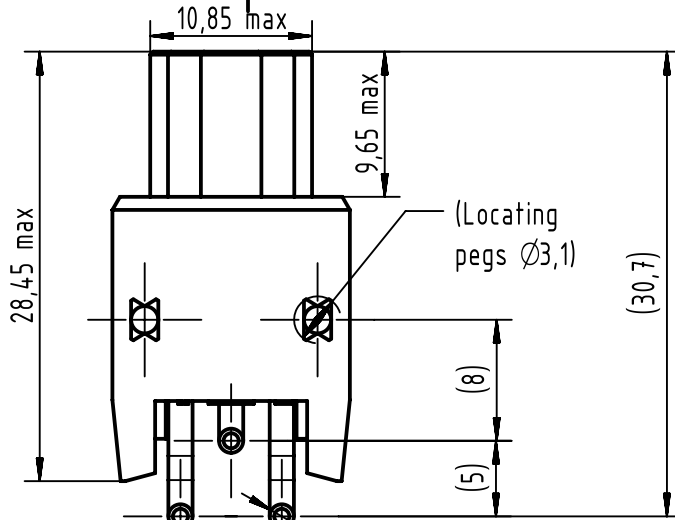
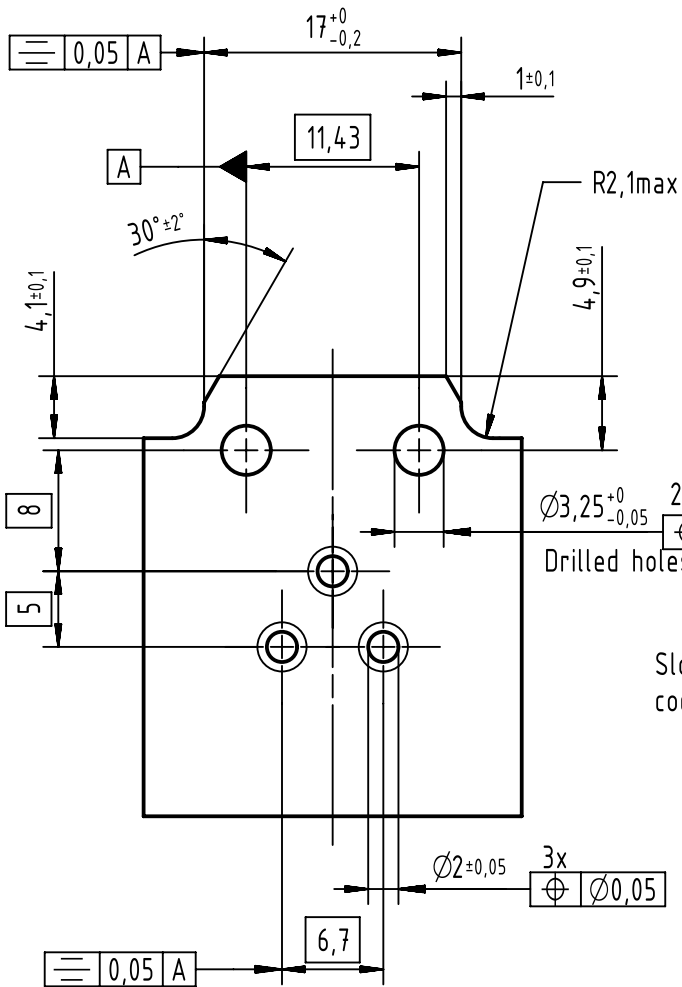
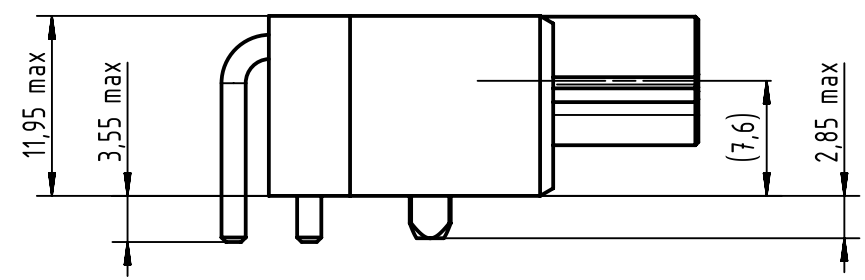
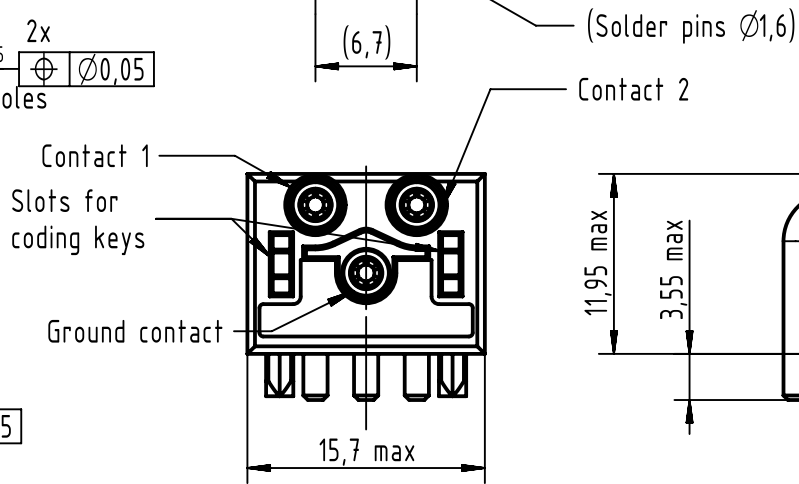


PCB LAYOUT  
for 3,5mm max panel thickness



Compatible receptacle housings:

- 0945 545 0029 Compact version with clip
- 0945 545 0033 Compact version w/o clip
- 0945 545 0031 EasyInstall version with clip
- 0945 545 0033 EasyInstall version w/o clip



SOLDER PINS VERSION:  
16A max with 45°C max recommended  
internal Cu layer within PCB:  
2 Oz=0,071mm thick and 7mm width.

	All rights reserved Department EC PD - FR	All Dimensions in mm Original Size DIN A4		Scale 2:1	Free size tol. ISO 2768-fH	Ref.	
		Created by BARLEMONT	Inspected by DE VANSSAY	Standardisation HOFFMANN	Date 2014-06-30	State Final Release	
HARTING Electronics GmbH D-32339 Espelkamp		Title HPP V4 Power insert THT 250V/16A 3p 90°				Doc-Key / ECM-Nr. 100530600/UGD/001/C 500000076469	
		Type TB	Number 09465003400			Rev. C	Page 1/1

# Mouser Electronics

Authorized Distributor

Click to View Pricing, Inventory, Delivery & Lifecycle Information:

[HARTING:](#)

[09465003400](#)