

# D2L

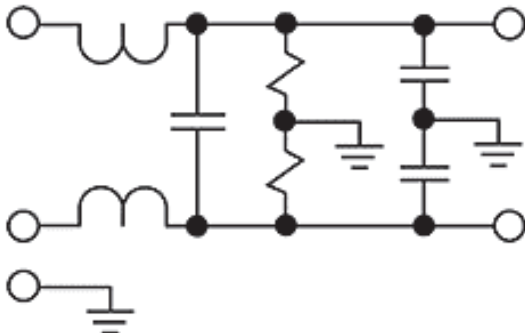
## HIGH PERFORMANCE SEVERE ENVIRONMENT DC POWER FILTER

### FEATURES

- » Rated currents include **1A, 2A, 5A, 10A, 20A, 40A, 75A and 100A**
- » Multi-Stage Line Filter
- » Subject to MIL STD 461 conducted emissions
- » Available with **QD** (tabs) and **S** (studs) option
- » Low Profile Case & Flange Mount Available
- » High Performance Design
- » Y-cap value can be adjusted to fit specification

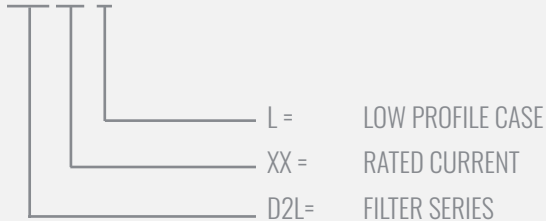


### ELECTRICAL SCHEMATIC



### HOW TO ORDER

D2LXX L



**NOTE:** USE ANY COMBINATION OF -X (AMPS) WITH ANY -Y RATINGS  
E.G. **D2L40 L**(40 AMPS, LOW PROFILE CASE)

### SPECIFICATIONS

<b>MAX. OPERATING VOLTAGE</b>	60VDC +10%
<b>TERMINALS (-T)</b>	QD: 0.25 TABS STUDS: 8-32 (5-20A), 10-32(40A)
<b>TYP. WEIGHT, LBS (KG)</b>	0.6 - 11.75 (0.27 - 5.35)
<hr/>	
<b>LEAKAGE CURRENT</b>	
<b>@ 250 VAC 60 HZ</b>	Contact Factory
<hr/>	
<b>HIPOT RATINGS</b>	
<b>LINE TO GROUND</b>	150 VDC - 200 VDC

### TYPICAL APPLICATIONS

- ✓ Grounded return systems
- ✓ Mobile system
- ✓ MIL ground vehicles

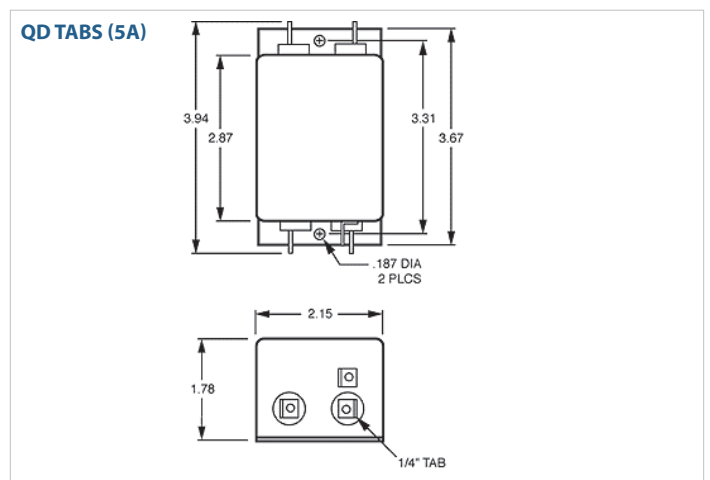
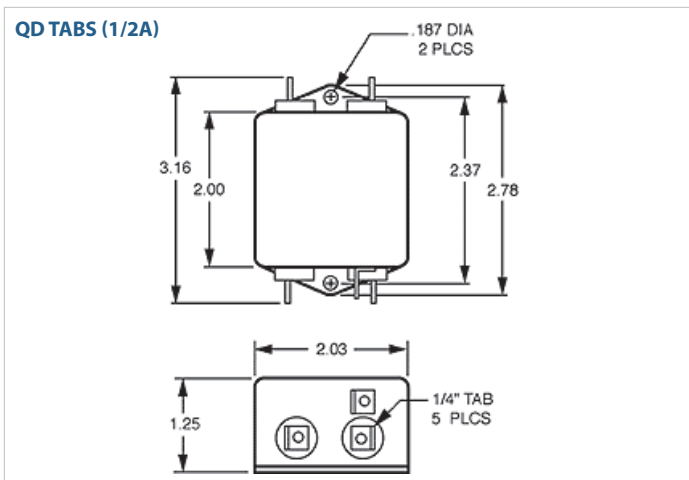
# D2L

## HIGH PERFORMANCE SEVERE ENVIRONMENT DC POWER FILTER

MODEL NO.	RATED CURRENT (A) @ 40° C	Y-CAP, nF	LEAKAGE CURRENT, mA @ 250V AC, 60 Hz	TERMINAL OPTIONS			MAX. DIMENSIONS" (MM)		
				(QD) INPUT/ OUTPUT	(S) INPUT/ OUTPUT	(C) INPUT/ OUTPUT	WIDTH	(LENGTH)	HEIGHT
D2L1	1	*	*	✓			2.03"	3.2"	1.25"
D2L2	2	2x.0047µF/2x1µF	*	✓			2.03"	3.2"	1.25"
D2L5	5	2x.0047µF/2x2.2µF	*	✓			2.15"	4.07"	1.78"
D2L5 S	5	2x.0047µF/2x2µF	*		✓		2.15"	4.13"	1.78"
D2L10	10	*	*	✓			2"	4.95"	2"
D2L10 F	10	2x.0047µF/2x4µF	*	✓			2"	4.95"	2"
D2L10 FS	10	2x.0047µF/2x4.7µF	*		✓		2"	5.01"	2"
D2L10 S	10	*	*		✓		2"	4.95"	2"
D2L20	20	*	*		✓		3"	5.51"	2.75"
D2L20 F	20	2x.0047µF/2x8µF	*		✓		3"	5.51"	2.75"
D2L40	40	*	*		✓		4"	6.62"	4"
D2L40 F	40	2x.0047µF/2x8µF	*		✓		4"	6.62"	4"
D2L40 L	40	*	*		✓		4"	6.62"	4"
D2L75	75	*	*		✓		5"	9.96"	4.75"
D2L100	100	*	*		✓		5"	9.96"	4.75"

\*Contact factory for part data.

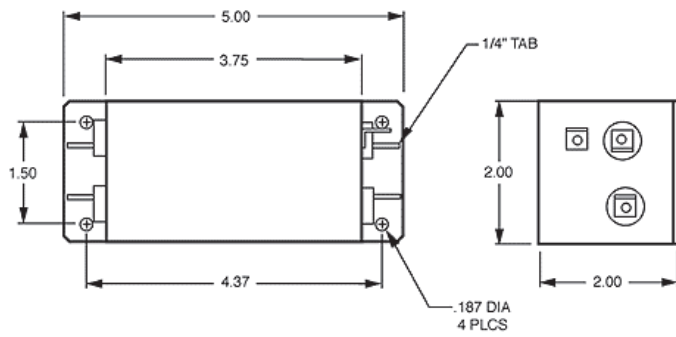
### D2L MECHANICAL OUTLINES (MM)



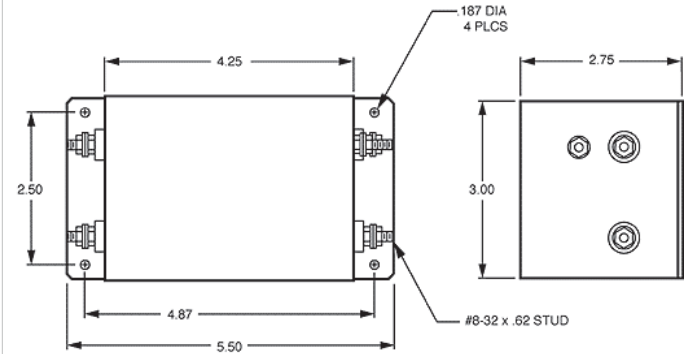
# D2L

## HIGH PERFORMANCE SEVERE ENVIRONMENT DC POWER FILTER

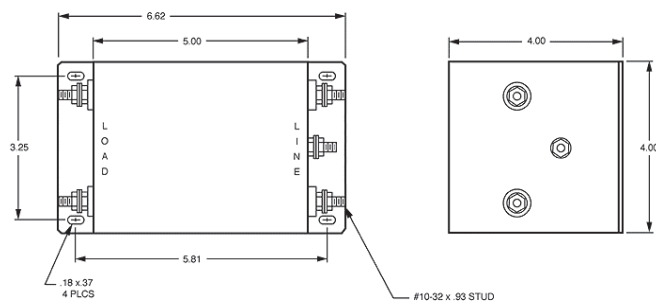
**QD TABS (10A)**



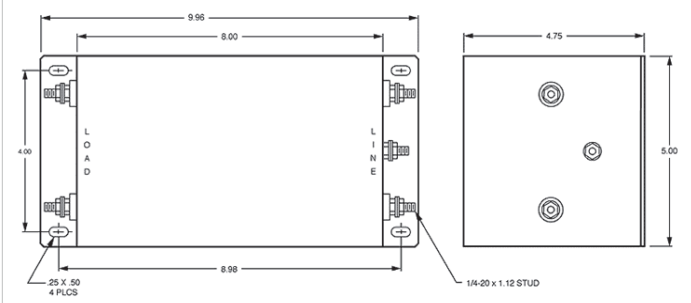
**STUDS (20A)**



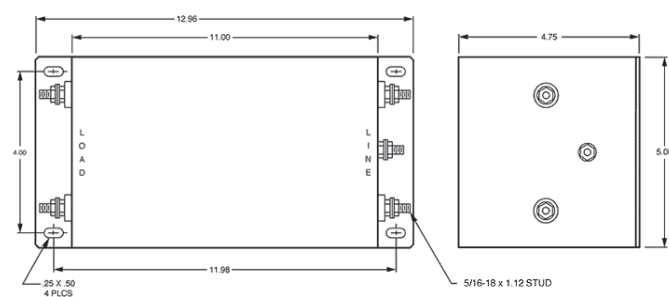
**STUDS (40A)**



**STUDS (75A)**



**STUDS (100A)**



TYPICAL TOLERANCE: +/-0.02" (0.50MM)

# D2L

## HIGH PERFORMANCE SEVERE ENVIRONMENT DC POWER FILTER

### TYPICAL INSERTION LOSS, dB (50/50 Ohm)

Amps	Freq (MHz)	0.15	0.5	1.0	10	30
1	CM (dB)	55	60	54	62	67
	DM (dB)	55	60	51	58	62
2	CM (dB)	50	60	54	62	67
	DM (dB)	45	60	51	58	62
5	CM (dB)	50	60	54	62	67
	DM (dB)	45	60	51	58	62
10	CM (dB)	55	60	54	62	67
	DM (dB)	55	60	51	58	62
20	CM (dB)	55	60	54	62	67
	DM (dB)	55	60	51	58	62
40	CM (dB)	55	60	54	62	67
	DM (dB)	55	60	51	58	62
75	CM (dB)	55	60	54	62	67
	DM (dB)	55	60	51	58	62
100	CM (dB)	55	60	54	62	67
	DM (dB)	55	60	51	58	62

# Mouser Electronics

Authorized Distributor

Click to View Pricing, Inventory, Delivery & Lifecycle Information:

[Astrodyne TDI:](#)

[D2L20 F](#) [D2L5](#) [D2L10 F](#) [D2L2](#) [D2L20 FS01](#) [D2L40F](#)