

# Keysight Technologies N77-Series Optical Switches

Data Sheet



The Keysight Technologies, Inc. N77-Series optical switches are available for both single-mode and multimode fiber test applications. The excellent repeatability, compact format and flexible control interfacing support high-performance automated setups. The multimode switch has excellent mode fidelity.

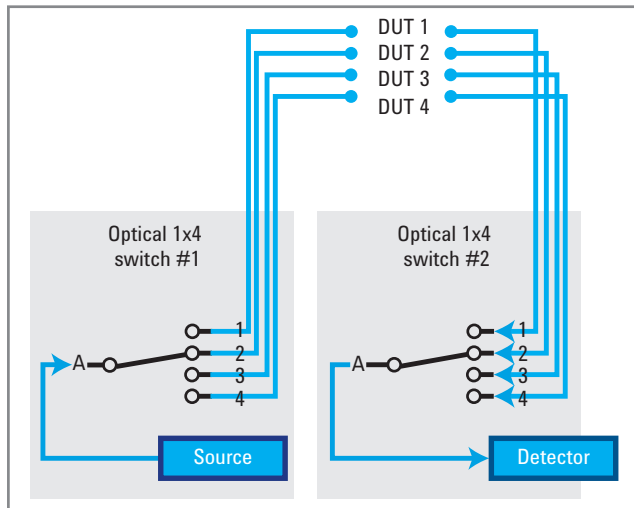
- N7731A: dual 1x4 switch
- N7734A: 1x13 switch

## Key Features

Wide wavelength range	Single mode	1250 nm to 1650 nm
	Multimode	600 nm to 1700 nm
Excellent repeatability	±0.01 dB, ±0.004 dB typical (maximum variation over 10,000 random cycles)	
N77xx Viewer	GUI software for manual setting	
Automation interfaces	USB, LAN, GPIB	

## Compact Stand-Alone Switches

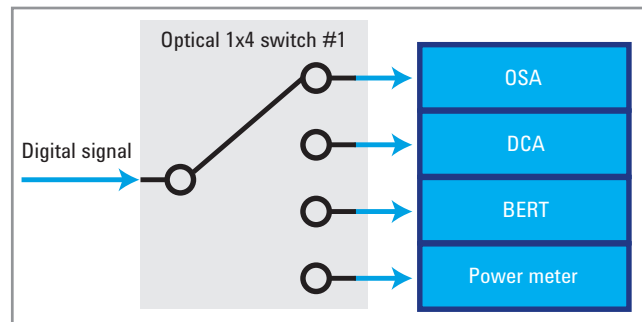
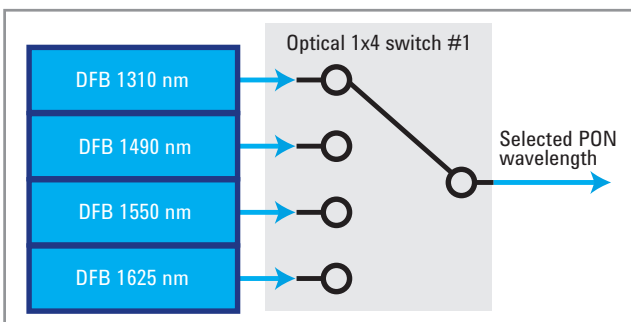
These instruments are used for automatic routing of optical signals for testing devices like transceivers, amplifiers, and passive components. Optical switches optimize the investment in automated test equipment by improving repeatability and throughput and supporting parallel measurements of multipoint and multiple devices.



## Switching Reduces Uncertainty from Connections and Eases Automation

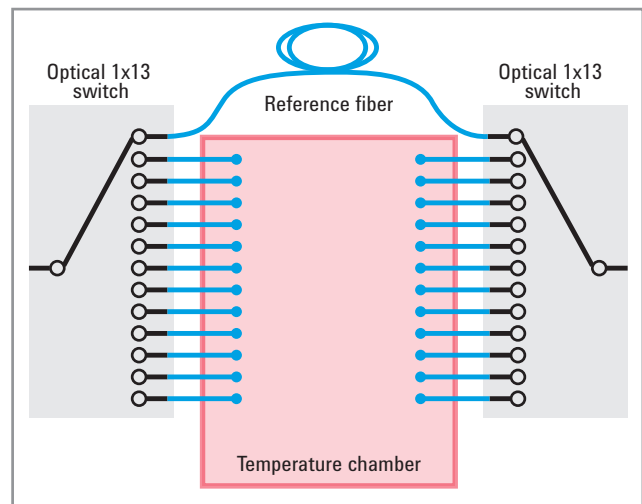
### Test Automation

These switches can be used to avoid repeated reconnections during your measurements and are critical to automated procedures. The excellent switching repeatability assures that the signal level is constant from cycle to cycle. The low IL and PDL and high repeatability assure minimum impact of the switch on measurement accuracy. A typical setup may use a 1x4 switch to select among several source wavelengths in a test, while avoiding the time delay for power stabilization if each source must be cycled on and off. Or the same digital signal may be switched among several instruments, like a power meter, DCA or BERT.



## Parallel testing for test throughput and efficient use of instruments

In many cases, valuable signal source and analysis instrumentation can be used more effectively in a parallel-test configuration. For example, multiple cables or components can be tested together during temperature cycling. On the other hand, an increasing use of inherently parallel components, as for optical interconnections for 40G or 100G using 10 Gb/s components, calls for identical testing in multiple paths. These are well supported by the 1x13 switch configuration and the 13th path can often be used as a permanent reference path.



## Modal Fidelity for Multimode Fiber Systems

Signals in multimode fibers are distributed over a range of mode groups that can have different loss and delay in a link. For dependable multimode transceiver testing, the instrument used to set the power level should not change this modal distribution. The Keysight multimode switches are designed with very short collimated paths between fiber, so signals propagate in practically the same distribution as through uninterrupted multimode fiber.

## Optical Switch Specifications

<b>N7731A</b>		
Switch type	Dual 1x4	
Fiber interface	# 009 single mode	# 062 multimode
Fiber type	9/125 $\mu$ m SMF	62.5/125 $\mu$ m MMF <sup>1</sup>
Connectivity	FC/APC – angled, narrow key	FC/PC straight
Wavelength range	1250 nm to 1650 nm	600 nm to 1700 nm
Repeatability <sup>2</sup>	$\pm$ 0.01 dB, $\pm$ 0.004 dB typical	$\pm$ 0.01 dB <sup>1</sup> , $\pm$ 0.004 dB typical
Insertion loss	< 2.0 dB, < 1.5 dB typical <sup>3</sup>	< 1.0 dB <sup>1</sup> , < 0.5 dB typical <sup>4</sup>
Polarization dependent loss	Typical 0.07 dB <sub>pp</sub>	NA
Return loss	Typical 55 dB	Typical 35 dB
Crosstalk	Typical –65 dB	Typical –65 dB <sup>4</sup>
Switching time	< 20 ms	
Lifetime	> 1 billion cycles	
Maximum input power	+23 dBm	
<b>General characteristics</b>		
Dimensions (D x W x H)	1U half-rack, 460 mm x 212 mm x 43 mm (excluding front and back rubber cushions and handle)	
Weight	Approx. 3 kg	
Recommended recalibration period	24 months	
Operating temperature	+5 °C to +40 °C	
Operating humidity	15% to 95%, non-condensing	
Altitude	The maximum operating altitude is 2000 m.	
Pollution protection	The Keysight N773xA is designed for pollution degree 2.	
Warm-up time	20 minutes	
Interfaces	The instruments can be controlled via LAN, USB or GPIB interfaces	
Power consumption	Line power: AC 100 to 240 V $\pm$ 10%, 50/60 Hz, 60 VA max.	
<b>Ordering information</b>		
<b>Fiber type option</b>		
-009	9/125 $\mu$ m single-mode fiber and FC/APC connectors	
-062	62.5/125 $\mu$ m multimode fiber and FC/PC connectors	
<b>Accessories</b>		
N7744-100	Rack mount kit for 1 or 2 units	
<b>Calibration</b>		
Select Keysight Calibration Plan		
R-50C-011-3	3-year calibration assurance plan (return to Keysight): Priority calibration service covering all calibration costs for 3 years; 15% cheaper than buying stand-alone calibrations.	
R-50C-011-5	5-year calibration assurance plan (return to Keysight): Priority calibration service covering all calibration costs for 5 years; 20% cheaper than buying stand-alone calibrations.	

1. Specifications are typical with 50/125  $\mu$ m multimode fiber.

2. Worst case measurement deviation over 10,000 random switching cycles.

3. At (1310  $\pm$ 15) and (1550  $\pm$ 15) nm.

4. At (850  $\pm$ 15) and (1310  $\pm$ 15) nm and for mode launch conditions from IEEE 802.3 : Encircled flux < 25% in 4.5  $\mu$ m radius and > 75% inside 15  $\mu$ m for 62.5/125  $\mu$ m fiber.

## Optical Switch Specifications

<b>N7734A</b>		
Switch type	1x13	
Fiber interface	# 009 single mode	# 062 multimode
Fiber type	9/125 $\mu\text{m}$ SMF	62.5/125 $\mu\text{m}$ MMF <sup>1</sup>
Connectivity	FC/APC – angled, narrow key	FC/PC straight
Wavelength range	1250 nm to 1650 nm	600 nm to 1700 nm
Repeatability <sup>2</sup>	$\pm 0.01$ dB, $\pm 0.004$ dB typical	$\pm 0.01$ dB <sup>1</sup> , $\pm 0.004$ dB typical
Insertion loss	< 2.5 dB, < 2.2 dB typical <sup>3</sup>	< 1.2 dB <sup>1</sup> , < 0.7 dB typical <sup>4</sup>
Polarization dependent loss	Typical 0.12 dB <sub>pp</sub>	NA
Return loss	Typical 55 dB	Typical 30 dB
Crosstalk	Typical –60 dB	Typical –55 dB <sup>4</sup>
Switching time	< 20 ms	
Lifetime	> 1 billion cycles	
Maximum input power	+23 dBm	
<b>General characteristics</b>		
Dimensions (D x W x H)	1U half-rack, 460 mm x 212 mm x 43 mm (excluding front and back rubber cushions and handle)	
Weight	Approx. 3 kg	
Recommended recalibration period	24 months	
Operating temperature	+5 °C to +40 °C	
Operating humidity	15% to 95%, non-condensing	
Altitude	The maximum operating altitude is 2000 m.	
Pollution protection	The Keysight N773xA is designed for pollution degree 2.	
Warm-up time	20 minutes	
Interfaces	The instruments can be controlled via LAN, USB or GPIB interfaces	
Power consumption	Line power: AC 100 - 240 V $\pm$ 10%, 50/60 Hz, 60 VA max.	
<b>Ordering information</b>		
Fiber type option		
-009	9/125 $\mu\text{m}$ single-mode fiber and FC/APC connectors	
-062	62.5/125 $\mu\text{m}$ multimode fiber and FC/PC connectors	
<b>Accessories</b>		
N7744-100	Rack mount kit for 1 or 2 units	
<b>Calibration</b>		
<b>Select Keysight calibration plan</b>		
R-50C-011-3	3-year calibration assurance plan (return to Keysight): Priority calibration service covering all calibration costs for 3 years; 15% cheaper than buying stand-alone calibrations.	
R-50C-011-5	5-year calibration assurance plan (return to Keysight): Priority calibration service covering all calibration costs for 5 years; 20% cheaper than buying stand-alone calibrations.	

1. Specifications are typical with 50/125  $\mu\text{m}$  multimode fiber.

2. Worst case measurement deviation over 10,000 random switching cycles.

3. At (1310  $\pm$ 15) and (1550  $\pm$ 15) nm.

4. At (850  $\pm$ 15) and (1310  $\pm$ 15) nm and for mode launch conditions from IEEE 802.3 : Encircled flux < 25% in 4.5  $\mu\text{m}$  radius and > 75% inside 15  $\mu\text{m}$  for 62.5/125  $\mu\text{m}$  fiber.

## Evolving Since 1939

Our unique combination of hardware, software, services, and people can help you reach your next breakthrough. We are unlocking the future of technology.

From Hewlett-Packard to Agilent to Keysight.



### myKeysight

#### myKeysight

[www.keysight.com/find/mykeysight](http://www.keysight.com/find/mykeysight)

A personalized view into the information most relevant to you.

[http://www.keysight.com/find/emt\\_product\\_registration](http://www.keysight.com/find/emt_product_registration)

Register your products to get up-to-date product information and find warranty information.

### KEYSIGHT SERVICES

Accelerate Technology Adoption.  
Lower costs.

#### Keysight Services

[www.keysight.com/find/service](http://www.keysight.com/find/service)

Keysight Services can help from acquisition to renewal across your instrument's lifecycle. Our comprehensive service offerings—one-stop calibration, repair, asset management, technology refresh, consulting, training and more—helps you improve product quality and lower costs.



#### Keysight Assurance Plans

[www.keysight.com/find/AssurancePlans](http://www.keysight.com/find/AssurancePlans)

Up to ten years of protection and no budgetary surprises to ensure your instruments are operating to specification, so you can rely on accurate measurements.

#### Keysight Channel Partners

[www.keysight.com/find/channelpartners](http://www.keysight.com/find/channelpartners)

Get the best of both worlds: Keysight's measurement expertise and product breadth, combined with channel partner convenience.

[www.keysight.com/find/voa](http://www.keysight.com/find/voa)

For more information on Keysight Technologies' products, applications or services, please contact your local Keysight office. The complete list is available at:

[www.keysight.com/find/contactus](http://www.keysight.com/find/contactus)

#### Americas

Canada	(877) 894 4414
Brazil	55 11 3351 7010
Mexico	001 800 254 2440
United States	(800) 829 4444

#### Asia Pacific

Australia	1 800 629 485
China	800 810 0189
Hong Kong	800 938 693
India	1 800 11 2626
Japan	0120 (421) 345
Korea	080 769 0800
Malaysia	1 800 888 848
Singapore	1 800 375 8100
Taiwan	0800 047 866
Other AP Countries	(65) 6375 8100

#### Europe & Middle East

Austria	0800 001122
Belgium	0800 58580
Finland	0800 523252
France	0805 980333
Germany	0800 6270999
Ireland	1800 832700
Israel	1 809 343051
Italy	800 599100
Luxembourg	+32 800 58580
Netherlands	0800 0233200
Russia	8800 5009286
Spain	800 000154
Sweden	0200 882255
Switzerland	0800 805353
	Opt. 1 (DE)
	Opt. 2 (FR)
	Opt. 3 (IT)
United Kingdom	0800 0260637

For other unlisted countries:

[www.keysight.com/find/contactus](http://www.keysight.com/find/contactus)  
(BP-9-7-17)

**DEKRA Certified**  
ISO 9001 Quality Management System

[www.keysight.com/go/quality](http://www.keysight.com/go/quality)

Keysight Technologies, Inc.  
DEKRA Certified ISO 9001:2015  
Quality Management System



This information is subject to change without notice.  
© Keysight Technologies, 2017  
Published in USA, December 1, 2017  
5990-8632EN  
[www.keysight.com](http://www.keysight.com)