

ICT-50C and S-50C Size 50C - .050 Centers

BeCu PLUNGER TIPS



- A**
- J**
- V8**

STEEL PLUNGER TIPS



- B**
- HS**
- M**
- S**
- SP**
- SW**
- T**
- TL**
- UR**
- Z**

PROBE SPECIFICATIONS

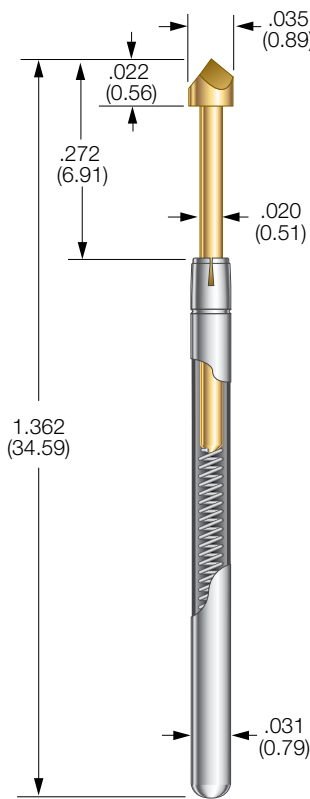
Minimum Centers: .050 (1.27)
Current Rating: 3 amps continuous
Spring Force: 4.3 or 5.6 oz. @ .170 (4.32) travel
Typical Resistance:
 < 20 mΩ for ICT-50C
 < 25 mΩ for S-50C
Maximum Travel: .250 (6.35)
Working Travel: .170 (4.32)

Rated Force oz. (g)	Preload oz. (g)	Material
4.3 (122)	1.9 (54)	SS
5.6 (159)	2.1 (60)	MW

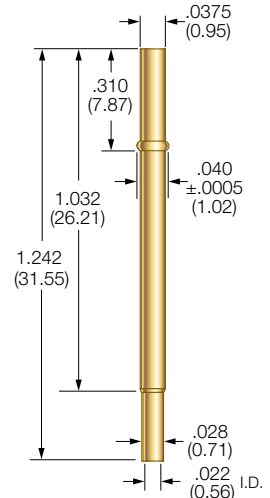
MATERIALS

Barrel: Nickel/silver, gold lined
Spring: Music wire, nickel plated or stainless steel
Plunger: Beryllium copper or steel, gold plated over nickel
Receptacle: Beryllium copper, preplated gold, gold plated post
Terminal: Beryllium copper, preplated gold

ICT-50C/S-50C PROBE



R-50C Receptacle



Drill Size: #61
Mounting Hole Size: .0385/.0390 (0.98/0.99)
Recommended Wire: 28-30 gage

RECEPTACLE OPTIONS

Part Number	Style	Receptacle Length	Probe/Receptacle Combined Length	Comments
R-50C-CR	Crimp	1.242 (31.54)	1.572 (39.92)	—
R-50C-SC	Solder Cup	1.242 (31.54)	1.572 (39.92)	—
R-50C-WW-016	Wire Wrap	1.492 (37.89)	1.822 (46.27)	.250 post length - .016 sq.
R-50C-WW-025	Wire Wrap	1.542 (39.16)	1.872 (47.55)	.300 post length - .025 sq.
R-50C-DS	Duraseal®	1.242 (31.54)	1.572 (39.92)	30 gage wire, vacuum sealed*
R-50C-WT	Plug-In Receptacle	1.242 (31.54)	1.572 (39.92)	For use with FP-Plug plug-in terminal
FP-Plug	Plug-In Terminal	—	—	Plugs into R-50C-WT receptacle*

* Unless otherwise specified, wire length 36", strip length 1", 30 gage Kynar

HOW TO ORDER: SPRING CONTACT PROBE

ICT	50C	T	5.6	DG	S
SERIES	SIZE	TIP STYLE	SPRING FORCE	PLATING OPTIONS	STEEL PLUNGER OPTION

SERIES:
ICT: HIGH PERFORMANCE
S: STANDARD PERFORMANCE, (NO BIFURCATED BEAM)

SPRING FORCE:
 4.3 oz. @ .170 (4.32) TRAVEL
 5.6 oz. @ .170 (4.32) TRAVEL

CRIMPING PLIERS: CPR50C
INSERTION TOOL: RTR50C

RECEPTACLE

R	50C	CR
SERIES	SIZE	TERMINATION

TERMINATIONS:
CR: CRIMP
SC: SOLDER CUP
WW-016: WIRE WRAP .016 SQ
WW-025: WIRE WRAP .025 SQ

DS: DURASEAL®
WT: PLUG-IN RECEPTACLE**

* UNLESS OTHERWISE SPECIFIED, WIRE LENGTH 36", STRIP LENGTH 1", 30 GAGE KYNAR. 12" & 36" STANDARD.

**FOR USE WITH FP-PLUG PLUG-IN TERMINAL. 12" & 36" STANDARD.

VIEW UPDATES OF THIS INFORMATION AT WWW.IDINET.COM

Specifications subject to change without notice. Dimensions in inches (millimeters)

Mouser Electronics

Authorized Distributor

Click to View Pricing, Inventory, Delivery & Lifecycle Information:

Smiths Interconnect:

[R-100-WW-1044](#) [R-075-WW-694](#) [R-100-WW-694](#) [S-50C-T-5.6-DG-S](#) [R-00-W-390](#) [R-075-WW-1044](#) [S-50C-A-3.2-DG](#) [ICT-50C-B-4.3-DG-S](#) [ICT-50C-B-5.6-DG-S](#) [RX-0-CR](#) [R-0-PW-36-1\(RSS50PW\) VIOLET](#) [R-00-W-390-12-1](#) [R-SS-40-W-390-12-1](#) [BL30G](#) [R-0-DS-12-1](#) [RSS50DS BLUE 30G](#) [R-0-DS-36-1](#) [RSS50DS BLUE 30G](#) [R-50J-DS-12-1](#) [RJ-0-DS-12-1](#) [BLUE 30G](#) [R-50J-DS-36-1](#) [RJ-0-DS-36-1](#) [BLUE 30G](#) [RX-0-DS-36-1](#) [RXSS50DS BLUE 30G](#) [R-00-W-500-12-1](#) [R-SS-40-500-12-1](#) [R-00-WW-390](#) [RSS40WW](#) [FP-R-00-WW](#) [R-00-WW-500](#) [RX-0-WT](#) [RXSS50WT](#) [R-50J-WT](#) [RJ-0-WT](#) [R-075-S-DE](#) [R-075-U-DE](#) [R-50C-B-DE](#) [R-50C-U-DE](#) [ICT-50C-A-5.6-DG](#) [ICT-50C-A-4.3-DG](#) [ICT-50C-HS-5.6-DG-S](#) [ICT-50C-HS-4.3-DG-S](#) [ICT-50C-J-5.6-DG](#) [ICT-50C-J-4.3-DG](#) [ICT-50C-M-5.6-DG-S](#) [ICT-50C-M-4.3-DG-S](#) [ICT-50C-R-5.6-DG-S](#) [ICT-50C-R-4.3-DG-S](#) [ICT-50C-SW-5.6-DG-S](#) [ICT-50C-SW-4.3-DG-S](#) [ICT-50C-SP-5.6-DG-S](#) [ICT-50C-SP-4.3-DG-S](#) [ICT-50C-T-5.6-DG-S](#) [ICT-50C-T-4.3-DG-S](#) [ICT-50C-TL-5.6-DG-S](#) [ICT-50C-TL-4.3-DG-S](#) [ICT-50C-V8-4.3-DG](#) [ICT-50C-Z-5.6-DG-S](#) [ICT-50C-Z-4.3-DG-S](#) [ICT-50C-C-5.6-DG](#) [ICT-50C-C-4.3-DG](#) [ICT-50C-U-5.6-DG-S](#) [ICT-50C-U-4.3-DG-S](#) [S-50C-A-5.6-DG](#) [S-50C-A-4.3-DG](#) [S-50C-B-5.6-DG-S](#) [S-50C-B-4.3-DG-S](#) [S-50C-HS-4.3-DG-S](#) [S-50C-M-4.3-DG-S](#) [S-50C-T-4.3-DG-S](#) [S-50C-Z-4.3-DG-S](#) [S-50C-HS-5.6-DG-S](#) [S-50C-M-5.6-DG-S](#) [S-50C-Z-5.6-DG-S](#) [R-00-W.500-36-1](#) [S-50C-J-5.6-DG](#) [S-50C-V8-3.2-DG](#) [R-100-B-DE](#) [R-100-U-DE](#) [S-50C-J-4.3-DG](#) [ICT-50C-V8-5.6-DG](#) [R-0-PW-36-1\(RSS50PW\) BLUE](#) [R-50C-DS](#) [R-50C-WT](#) [R-50C-CR](#) [ICT-50C-J-5.6-DGS](#) [RX-075-RP](#) [R-25-SC](#) [R039 INSERTION TOOL OFFSET .010](#) [R039 FLUSH MOUNT](#) [R-25-WW-429](#) [R-0-SC](#)