

Inner DC Block

DB6067A

10MHz-67GHz, 1.85mm, 60 Volts



Rev 3

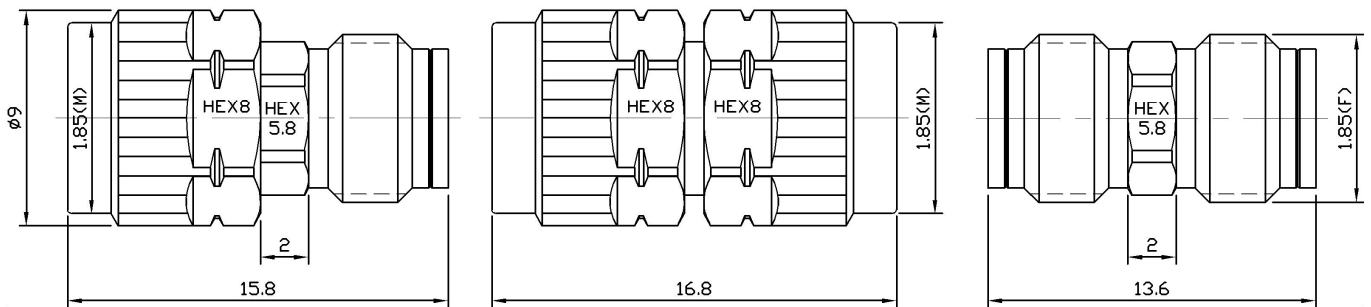
Electrical & Environmental

Impedance	50 ohm
Frequency Range	10 MHz-67 GHz
VSWR	1.5 max
Insertion Loss	0.9dB max
Voltage Rating	60 Volts max
Input Avg Power	1.5 Watts max @25°C (Derate linearly to 0.15 Watt at 100°C)
Operating Temp	-55°C to 100°C
RoHS	Compliant

Mechanical

Connector	1.85mm
Connector Body	Passivated Stainless Steel
Center Contact	1.27um Gold plated beryllium copper
Net Weight	About 3.5g

Dimensions(mm)



A: male to female

B: male to male

C: female to female

- Note:
- By default the connector configuration is A.
 - Options of B and C also available upon request. Change P/N DB6067A to DB6067B or DB6067C when applicable.

Typical Test Data

