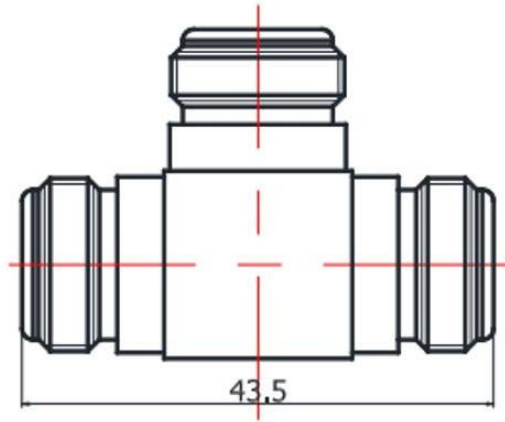


Drawing(mm)



Electrical & Environmental

Impedance	50 ohm
Frequency Range	3 GHz
Operating Temp	-55°C to +165°C

Material

Connector Body	Nickel plated brass
Center Contact	Gold plated beryllium copper
Insulator	PTFE
Net weight	54g