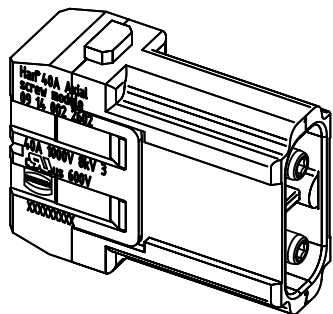


for stranded wire 6-10mm<sup>2</sup>, AWG10-8, fine wire



	All Dimensions in mm Original Size DIN A4	Scale 2:1		Free size tol.		Ref.	
						Sub.	
	All rights reserved Department EL PD - DE	Created by RULLKOETTER	Inspected by SCHNIEDER	Standardisation TIEMANNA	Date 2014-06-11	State Final Release	
		Title Han Modular 2 Module male					Doc-Key / ECM-Nr. 100169975/UGD/006/A 500000074632
HARTING Electric GmbH & Co. KG D-32339 Espelkamp		Type TB	Number 09 14 002 2602			Rev. A	Page 1/1