

SMD transformers for automotive grade
Transformers for IGBT/FET



VGT series

FEATURES

- A power transformer for the IPM drive of the motor inverter.
- High flux density cores have been adopted to achieve miniaturization.
- The dielectric strength voltage is 2.6 kV.
- Operating temperature range: -40 to +130°C (including self-temperature rise)

APPLICATION

- For Intelligent Power Module drive power supply of an inverter motor

PART NUMBER CONSTRUCTION

VGT	10SEE	-	200	S2A5
Series name	Core shape		Internal code	Type name

PRODUCT LINEUP

	Inductance* NP (μH)		Leakage inductance* NP(NS all shorted) (μH)max.	Withstanding voltage NP, NF-NS Sense: 1mA		Turn ratio
		Tolerance		Coil-Core Sense: 1mA		
VGT10SEE-200S2A5 13.3x17.9x10.8(mm)max.	20	±25%	0.5	2.6kVrms/1min	1.3kVrms/1min	NP:NF:NS1:NS2 =1:1:1:1
VGT12EEM-200S1A4 13.9x15.3x10.0(mm)max.	10	±20%	0.2	2.6kVrms/1min	1.3kVrms/1min	NP:NF:NS =1:1.6:2.9
VGT15EFD-200S3A6 20.3x24.5x10.2(mm)max.	8.0	±20%	0.2	2.6kVrms/1min	1.3kVrms/1min	NP:NF:NS1:NS2:NS3 =1:2.8:2.8:2.8:2.8
VGT15SEFD-200S1A4 15.9x19.9x10.0(mm)max.	10	±20%	0.2	2.6kVrms/1min	1.3kVrms/1min	NP:NF:NS =1:1.8:3.3
VGT15SEFD-250S4A7 23.3x22.4x12.0(mm)max.	2.6	±20%	0.2	2.6kVrms/1min	1.3kVrms/1min	NP:NF:NS1:NS2:NS3:NS4 =1:3:3:3:3:3
VGT22EPC-200S6A12 33.5x27.8x13.7(mm)max.	2.5	±15%	0.3	2.6kVrms/1min	1.3kVrms/1min	NP:NS1-P:NS1-N:NS2-P:NS2-N: NS3-P:NS3-N:NS4-P:NS4-N =1:1.2:0.7:1.2:0.7:1.2:0.7:1.2:0.7

* Measuring conditions: 100kHz/1V

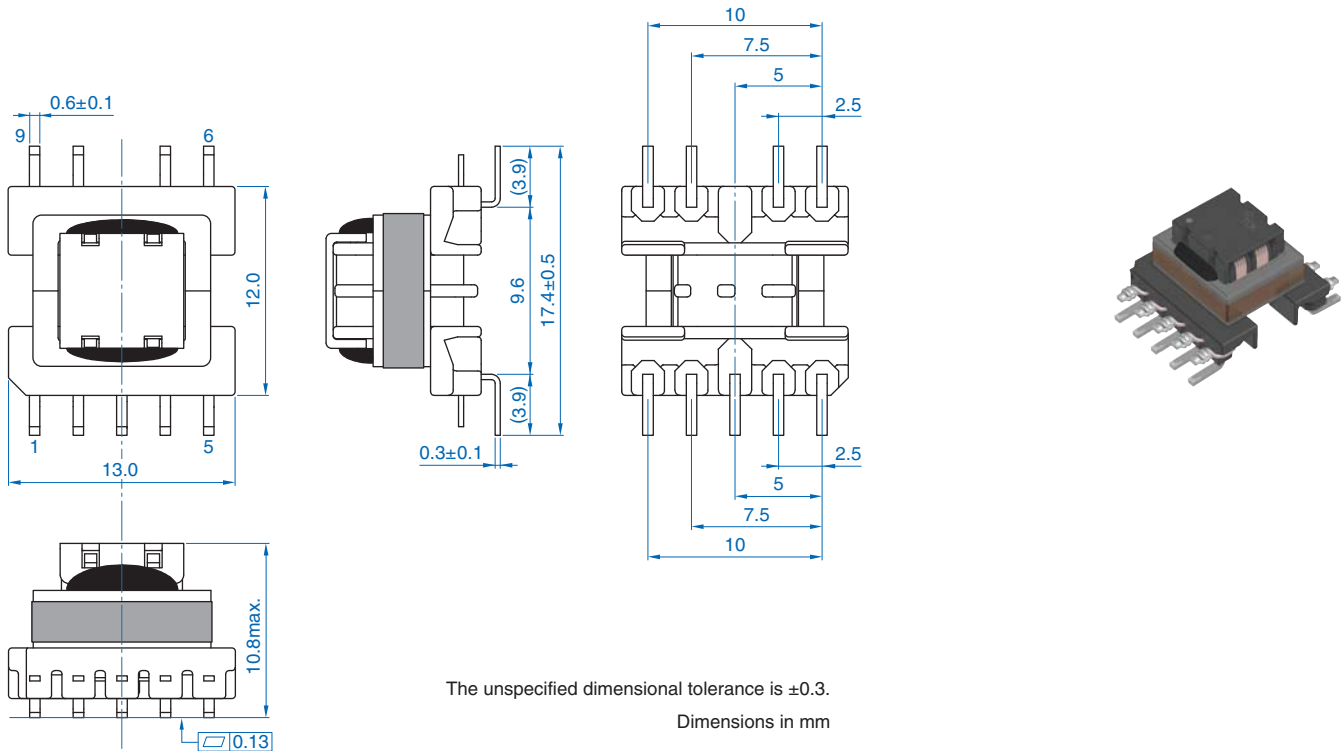
VGT10SEE-200S2A5

ELECTRICAL CHARACTERISTICS

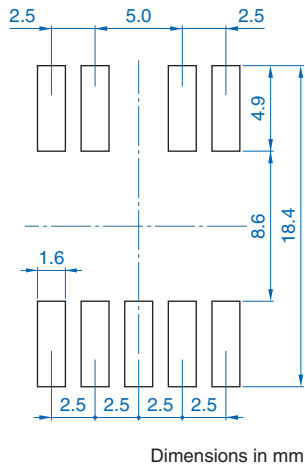
CHARACTERISTICS SPECIFICATION TABLE

Part No.	Inductance*		Leakage inductance* NP(NS all shorted) (μ H)max.	Withstanding voltage NP, NF-NS Sense: 1mA		Turn ratio NP:NF:NS1:NS2 =1:1:1:1
	NP (μ H)	Tolerance		Coil-Core Sense: 1mA		
VGT10SEE-200S2A5	20	$\pm 25\%$	0.5	2.6kVrms/1min	1.3kVrms/1min	

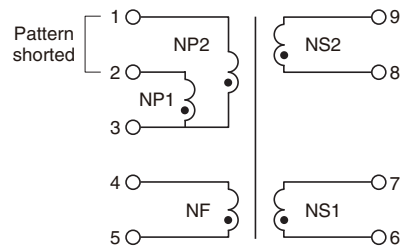
SHAPE & DIMENSIONS



RECOMMENDED LAND PATTERN



CIRCUIT DIAGRAM



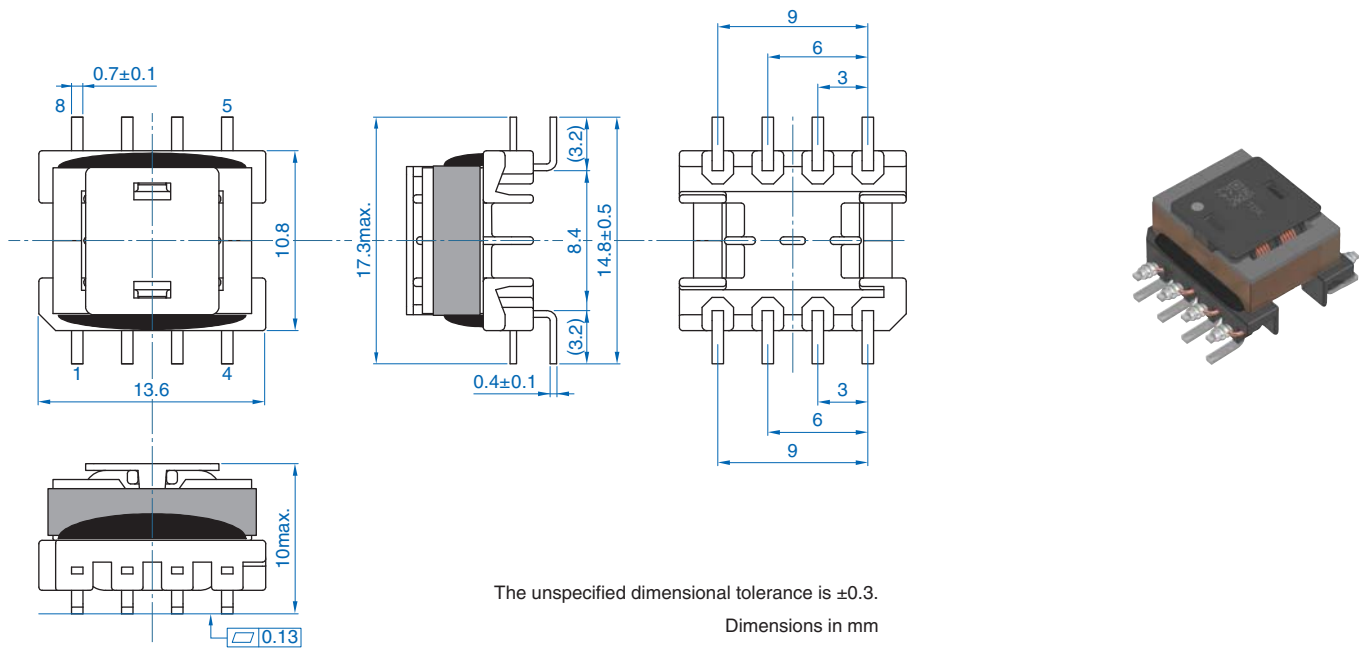
VGT12EEM-200S1A4

ELECTRICAL CHARACTERISTICS

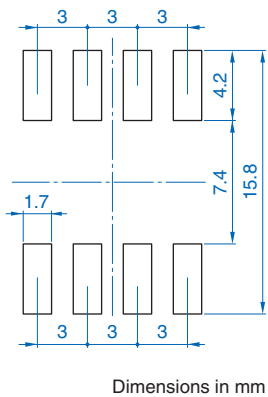
CHARACTERISTICS SPECIFICATION TABLE

Part No.	Inductance*		Leakage inductance* NP(NS all shorted) (μ H)max.	Withstanding voltage		Turn ratio NP:NF:NS =1:1.6:2.9
	NP (μ H)	Tolerance		NP, NF-NS Sense: 1mA	Coil-Core Sense: 1mA	
VGT12EEM-200S1A4	10	$\pm 20\%$	0.2	2.6kVrms/1min	1.3kVrms/1min	

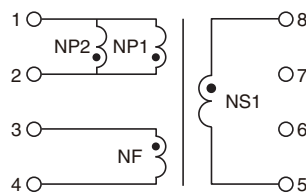
SHAPE & DIMENSIONS



RECOMMENDED LAND PATTERN



CIRCUIT DIAGRAM



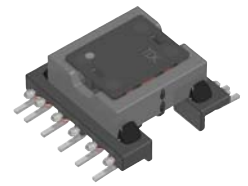
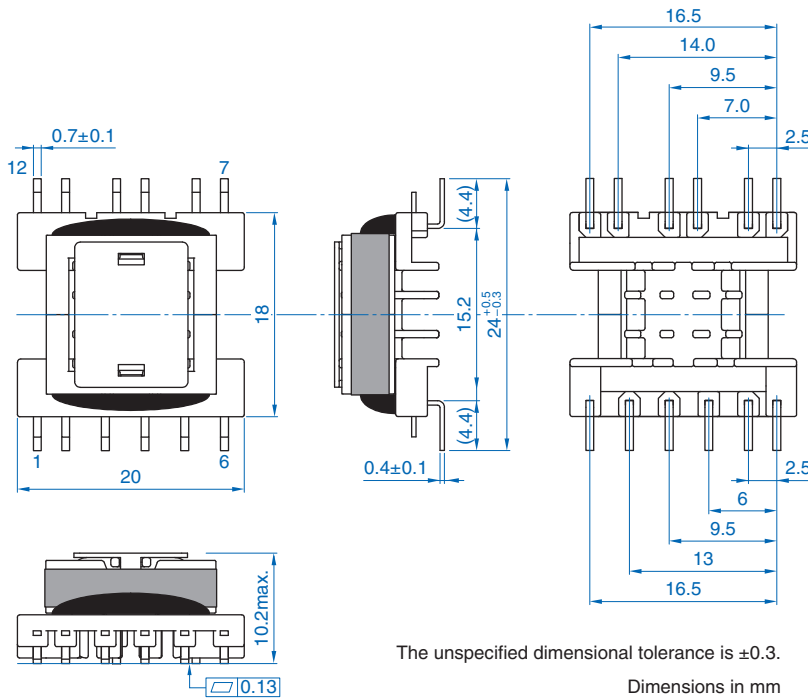
VGT15EFD-200S3A6

ELECTRICAL CHARACTERISTICS

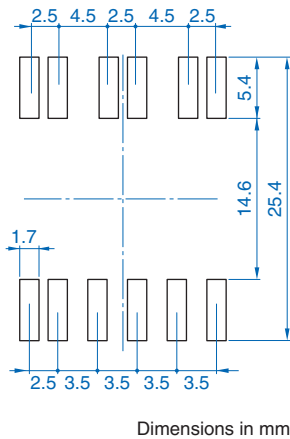
CHARACTERISTICS SPECIFICATION TABLE

Part No.	Inductance*		Leakage inductance* NP(NS all shorted) (μ H)max.	Withstanding voltage NP, NF-NS Sense: 1mA		Turn ratio NP:NF:NS1:NS2:NS3 =1:2.8:2.8:2.8:2.8
	NP (μ H)	Tolerance		Coil-Core Sense: 1mA		
VGT15EFD-200S3A6	8.0	$\pm 20\%$	0.2	2.6kVrms/1min	1.3kVrms/1min	

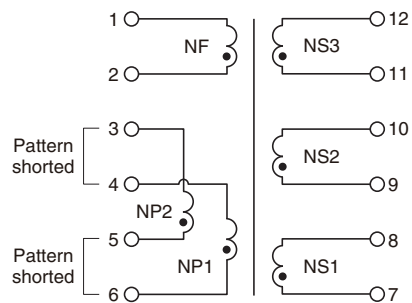
SHAPE & DIMENSIONS



RECOMMENDED LAND PATTERN



CIRCUIT DIAGRAM



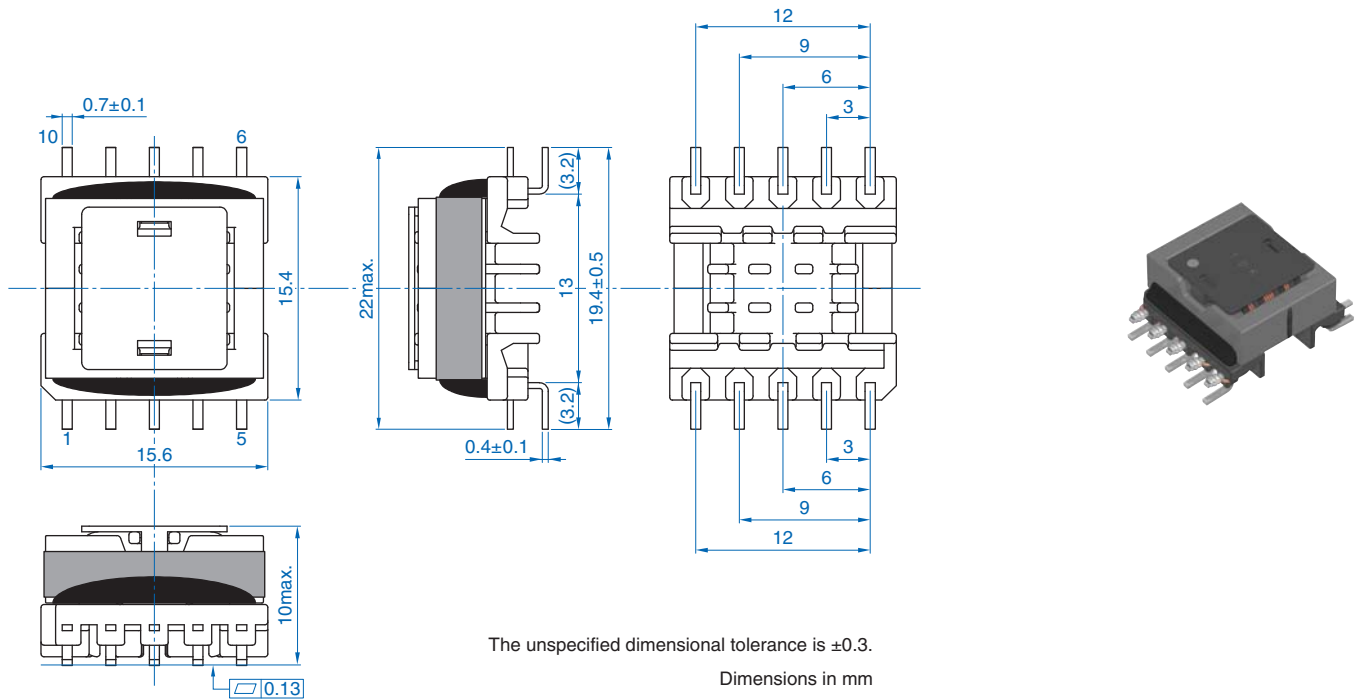
VGT15SEFD-200S1A4

ELECTRICAL CHARACTERISTICS

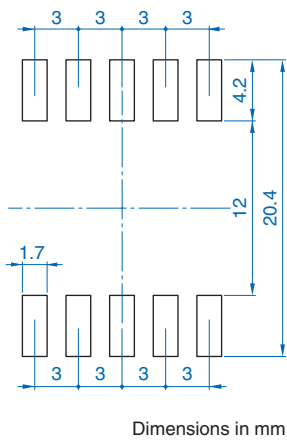
CHARACTERISTICS SPECIFICATION TABLE

Part No.	Inductance*		Leakage inductance* NP(NS all shorted) (μ H)max.	Withstanding voltage NP, NF-NS		Turn ratio
	NP (μ H)	Tolerance		Sense: 1mA	Coil-Core Sense: 1mA	
VGT15SEFD-200S1A4	10	$\pm 20\%$	0.2	2.6kVrms/1min	1.3kVrms/1min	NP:NF:NS =1:1.8:3.3

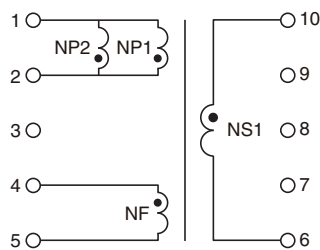
SHAPE & DIMENSIONS



RECOMMENDED LAND PATTERN



CIRCUIT DIAGRAM



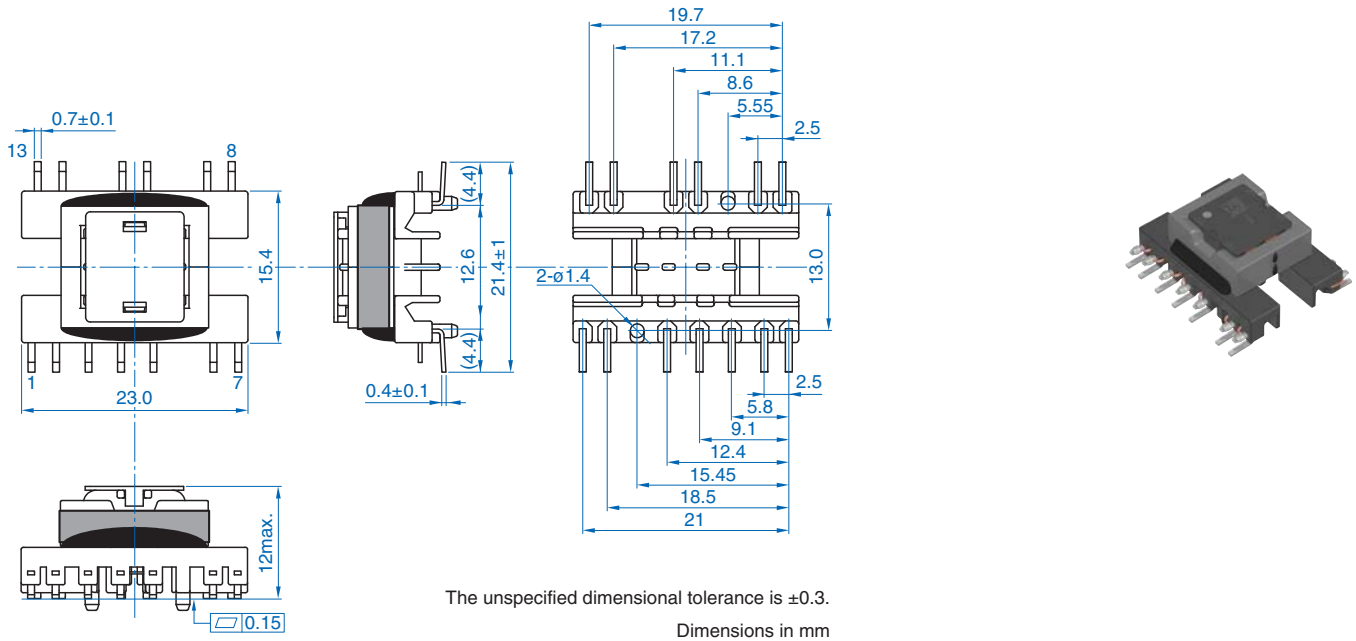
VGT15SEFD-250S4A7

ELECTRICAL CHARACTERISTICS

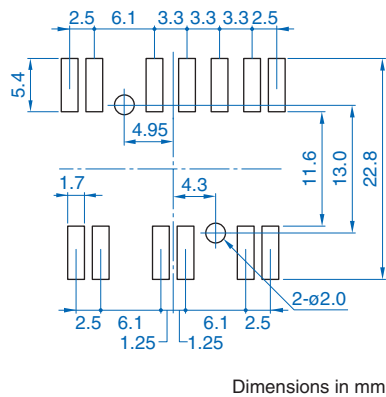
CHARACTERISTICS SPECIFICATION TABLE

Part No.	Inductance*		Leakage inductance* NP(NS all shorted) (μ H)max.	Withstanding voltage NP, NF-NS		Turn ratio
	NP (μ H)	Tolerance		Sense: 1mA	Coil-Core Sense: 1mA	
VGT15SEFD-250S4A7	2.6	$\pm 20\%$	0.2	2.6kVrms/1min	1.3kVrms/1min	NP:NF:NS1:NS2:NS3:NS4 =1:3:3:3:3:3

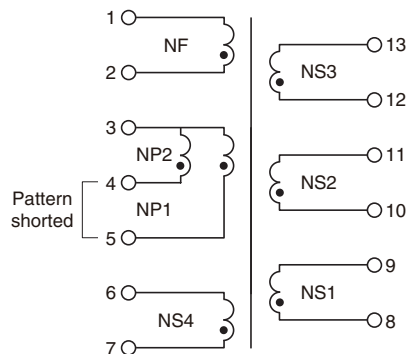
SHAPE & DIMENSIONS



RECOMMENDED LAND PATTERN



CIRCUIT DIAGRAM



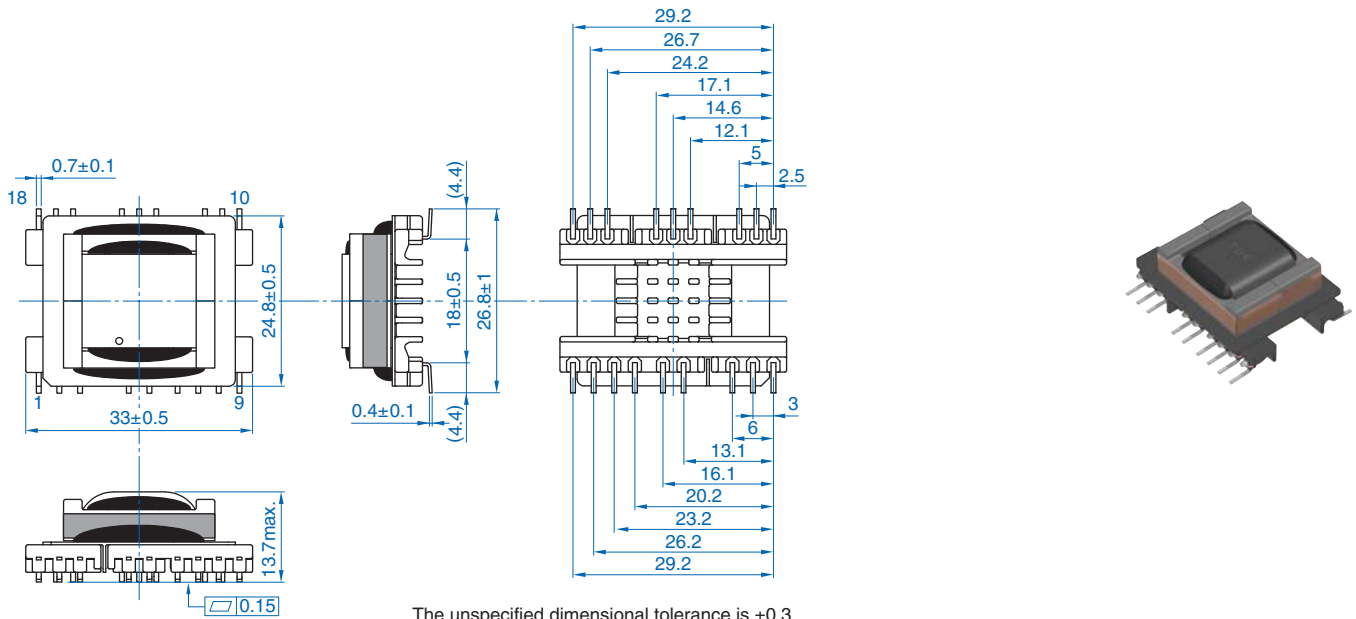
VGT22EPC-200S6A12

ELECTRICAL CHARACTERISTICS

CHARACTERISTICS SPECIFICATION TABLE

Part No.	Inductance*		Leakage inductance* NP(NS all shorted) (μ H)max.	Withstanding voltage		Turn ratio
	NP (μ H)	Tolerance		NP, NF-NS Sense: 1mA	Coil-Core Sense: 1mA	
VGT22EPC-200S6A12	2.5	$\pm 15\%$	0.3	2.6kVrms/1min	1.3kVrms/1min	NP:NS1-P:NS1-N:NS2-P:NS2-N: NS3-P:NS3-N:NS4-P:NS4-N =1:1.2:0.7:1.2:0.7:1.2:0.7:1.2:0.7

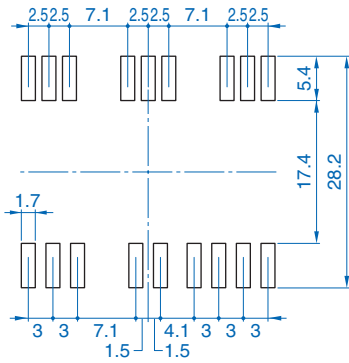
SHAPE & DIMENSIONS



The unspecified dimensional tolerance is ± 0.3 .

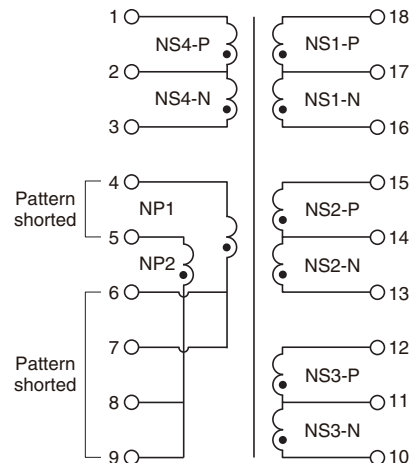
Dimensions in mm

RECOMMENDED LAND PATTERN



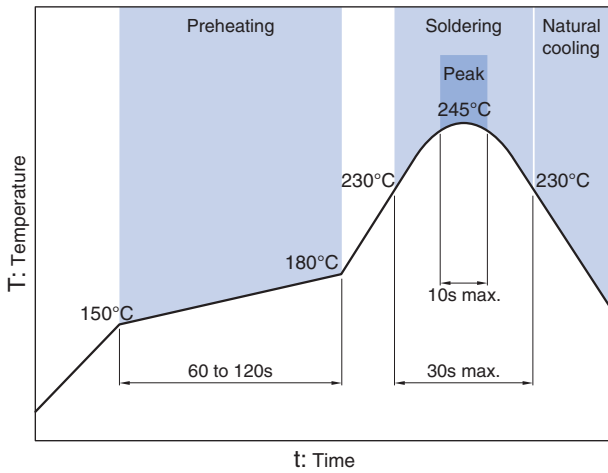
Dimensions in mm

CIRCUIT DIAGRAM



VGT series

RECOMMENDED REFLOW PROFILE



*When mounting the product, use our recommended reflow profile described above.

TEMPERATURE RANGE, INDIVIDUAL WEIGHT

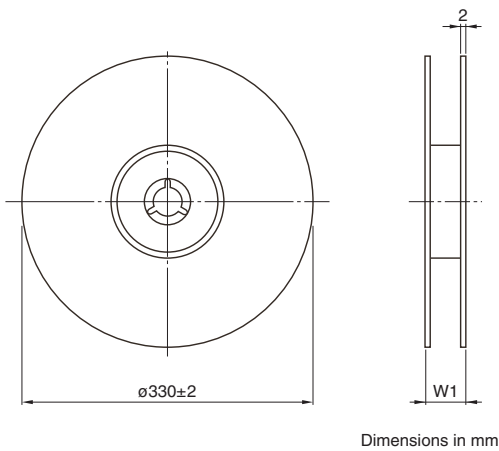
Part No.	Temperature range		Individual weight (g)
	Operating temperature* (°C)	Storage temperature** (°C)	
VGT10SEE-200S2A5	-40 to +130	-40 to +130	1.9
VGT12EEM-200S1A4	-40 to +130	-40 to +130	1.9
VGT15EFD-200S3A6	-40 to +130	-40 to +130	4.1
VGT15SEFD-200S1A4	-40 to +130	-40 to +130	3.9
VGT15SEFD-250S4A7	-40 to +130	-40 to +130	4.6
VGT22EPC-200S6A12	-40 to +130	-40 to +130	10.8

* Operating temperature range includes self-temperature rise.

** The storage temperature range is for after the assembly.

PACKAGING STYLE

REEL DIMENSIONS, PACKAGE QUANTITY

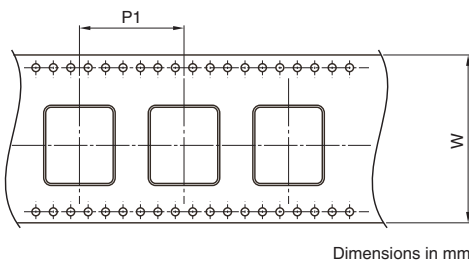


Dimensions in mm

Part No.	W1	Package quantity (pcs/reel)	Package quantity (pcs/box)
VGT10SEE-200S2A5	36.9	250	500
VGT12EEM-200S1A4	36.9	250	500
VGT15EFD-200S3A6	48.2	180	360
VGT15SEFD-200S1A4	48.2	200	400
VGT15SEFD-250S4A7	48.2	150	300
VGT22EPC-200S6A12	48.2	60	120

· These values are typical values.

TAPE DIMENSIONS



Dimensions in mm

Part No.	P1	W
VGT10SEE-200S2A5	20±0.1	32±0.3
VGT12EEM-200S1A4	20±0.1	32±0.3
VGT15EFD-200S3A6	28±0.1	44±0.3
VGT15SEFD-200S1A4	24±0.1	44±0.3
VGT15SEFD-250S4A7	28±0.1	44±0.3
VGT22EPC-200S6A12	44±0.15	44±0.3

Attentions for use

Please read this specifications before using this product by all means.

Attentions for safety

For use of this product, please carefully read this caution and design the application safely.

Attention on designing

- On designing a PCB layout, please refer to the land pattern of this catalogue.
- As leakage magnetic flux generates, please pay attention to the affection by the flux.
It may be concerned as the cause of a malfunction.

Attention on handling

- Please do not use a product which was dropped.
It may be concerned as the cause of a malfunction.
- Since the top of the soldered pins are sharpened, please handle with care.
- When keeping the products, please avoid any dust, mist, water and sunlight .
It may be concerned as the cause of a malfunction.
- In the environment which is exposed by any gas corrosion, i.e. sodium, acid and alkaline atmosphere, please do not use or store.
- When assembling, do not apply excess stress to the product by metal base tool.
It may be concerned as the cause of a malfunction.

Attention

- This product's structure and number of turns (magnetic design) are designed by consideration of the condition of power voltage and circuit drive (drive frequency and Max. on-duty).
Do not operate under the out of the range of the designed condition.
It may be any causes of a damage or a burnout.
- The range of the operating temperature and humidity, by its consideration of the characteristics of component parts and its self temperature rise.
Do not exceed this range for the operation.
It may be any causes of damage or burnout.
- Do not use this product under the condition which is possible contamination of any dust or wrong parts.
It may be any causes of burnout.
- The products listed in this specification are intended for use of any general electronic equipment and transportation equipment (AV equipment, telecommunication applicants, home appliances, amusement equipment, computers, mobile equipment, office machines, measurement equipment, industrial robots, cars, electric trains, ships and etc.) under a normal operation and condition.
- This is not a product which warrants any quality, compatibility or performance to the following uses (hereafter called Special cases of uses) which malfunction, error or defect in those appliances which are required high level of safeness or reliability, may cause the enormous social impact or the risk to human life, health of body, assets or else.
- About any damages which are caused by an use which is out of range or beyond the conditions of our specification, or an use in these special cases below, we are not able to take any responsibilities of the damages.
- If your purpose of this product will be an use beyond the scope or conditions of this specification, or for special cases listed below, please contact with one of our contact windows, in advance.
- In order to meet with an application of our customer, we would like to discuss its specification which will be different to this specification.

<<Special cases of use for>>

- (1) Aerospace/Aviation
- (2) Medical
- (3) Power-generation control
- (4) Nuclear power generation
- (5) Equipment on the sea bed
- (6) Transportation control

- (7) Public information-processing
- (8) Military
- (9) Electric heating, burning equipment
- (10) Disaster prevention/crime prevention equipment
- (11) Safety equipment
- (12) Other applications that are not considered as general purpose applications

When designing your equipment even for general-purpose applications, you are kindly requested to take into consideration securing protection circuit/device or providing backup circuits in your equipment.