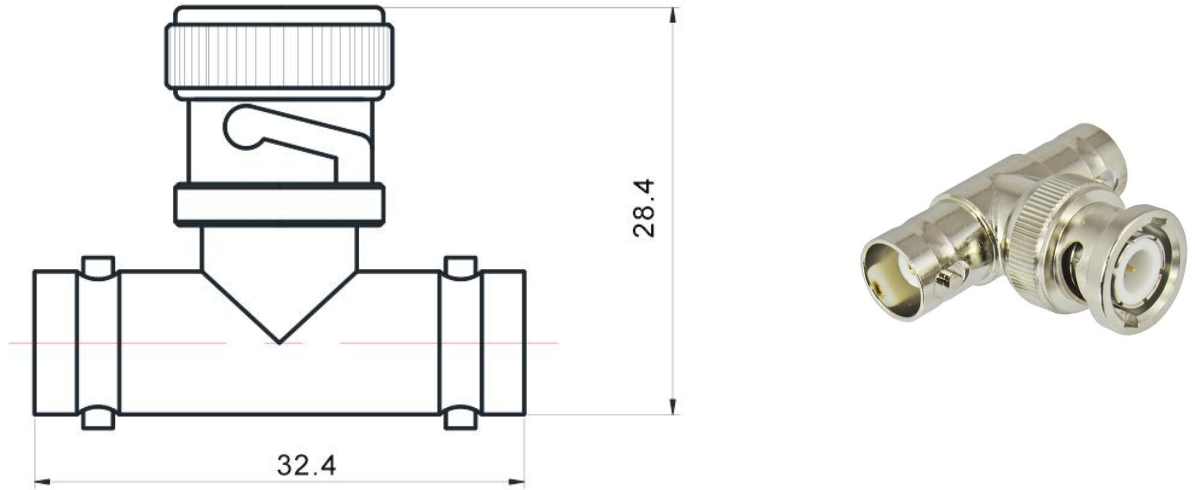


Drawing(mm)



Electrical & Environmental

Impedance	50 ohm
Frequency Range	DC-4 GHz
Operating Temp	-45°C to +125°C

Material

Connector Body	Brass, nickel plated
Center Contact	Phosphorus copper, gold plated
Insulator	PTFE
Net weight	25g