

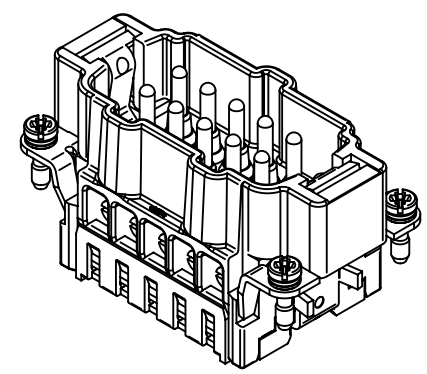
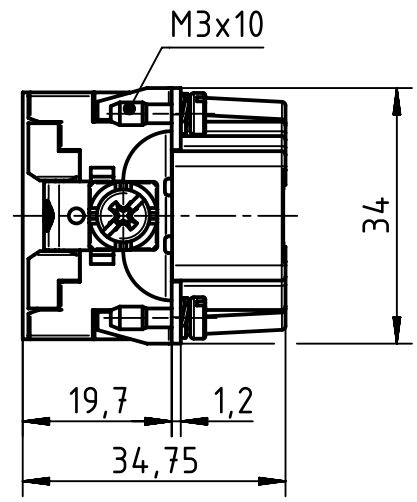
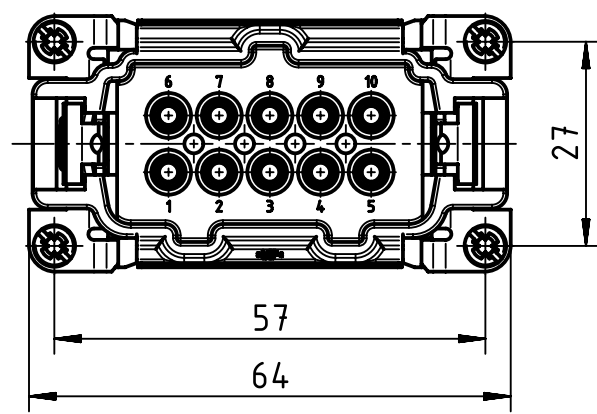
1 2 3 4 5 6

A

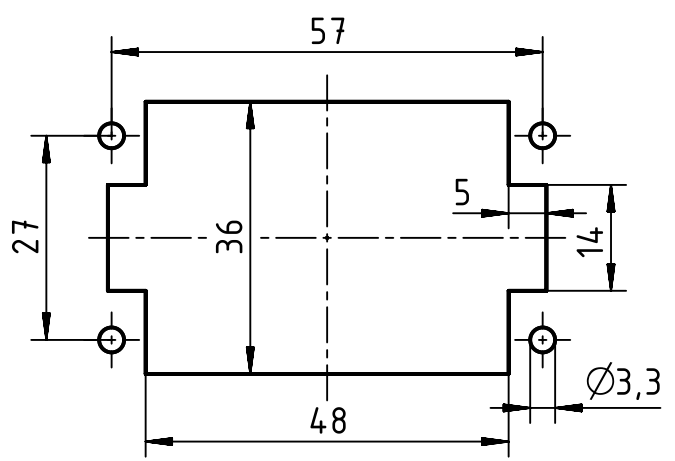
B

C

D



panel cut out



	All rights reserved Department EL PD - DE HARTING Electric GmbH & Co. KG D-32339 Espelkamp	All Dimensions in mm Original Size DIN A4		Scale 1:1	Free size tol.	Ref. Sub.
		Created by HOLLERT	Inspected by PRIESTER	Standardisation TIEMANNA	Date 2016-08-31	State Final Release
Title Han High Temp 10E Screw Male					Doc-Key / ECM-Nr. 100620323/UGD/001/A 500000105233	
Type TB			Number 09 33 810 2603		Rev. A	Page 1/1

Mouser Electronics

Authorized Distributor

Click to View Pricing, Inventory, Delivery & Lifecycle Information:

[HARTING:](#)

[09338102603](#)