



**Electrical**

|                        |  |  |  |  |
|------------------------|--|--|--|--|
| <b>Impedance</b>       | 50 ohm   |  |  |  |
| <b>Frequency Range</b> | DC-18 GHz  |  |  |  |
| <b>VSWR</b>            | 1.35 max   |  |  |  |
| <b>Input Avg Power</b> | 20W@ 25°C ambient, derating linearly to 2W at 100°C                    |  |  |  |
| <b>Peak Power</b>      | 500W (5 micro-sec pulse width, 1% duty cycle)                          |  |  |  |
| <b>Direction</b>       | Bidirectional, SMA female to SMA male (other configurations available) |  |  |  |

|                        |      |       |       |       |
|------------------------|------|-------|-------|-------|
| <b>Attenuation(dB)</b> | 1-10 | 11-20 | 21-30 | 31-40 |
| <b>Accuracy(dB)</b>    | ±0.8 | ±0.8  | ±1.0  | ±1.2  |

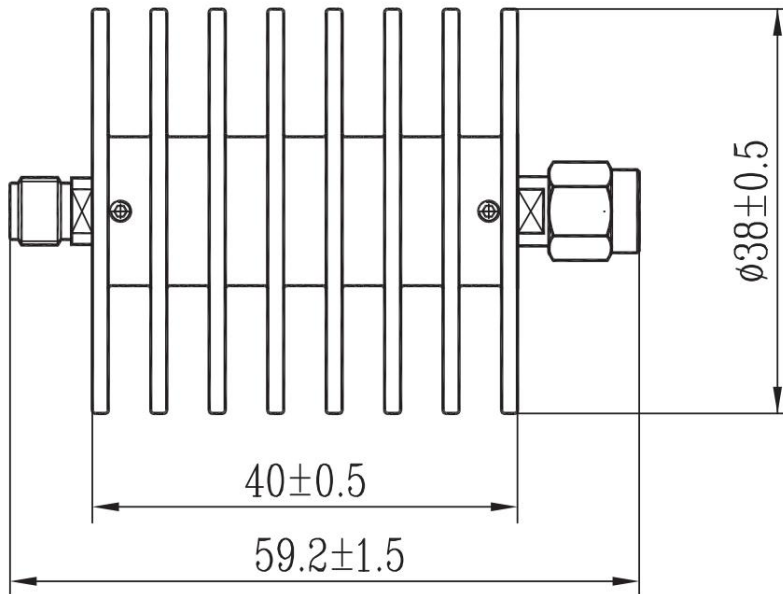
**Mechanical**

|                       |                                    |
|-----------------------|------------------------------------|
| <b>Connector Body</b> | Passivated stainless steel         |
| <b>Heat Sink</b>      | Black anodized aluminum            |
| <b>Center Contact</b> | Gold plated beryllium copper/brass |
| <b>Net Weight</b>     | About 60 g                         |

**Environmental**

|                                |                  |
|--------------------------------|------------------|
| <b>Operating Temperature</b>   | -55°C to 100°C   |
| <b>Storage Temperature</b>     | -55°C to 125°C   |
| <b>RoHS</b>                    | Compliant        |
| <b>Temperature Coefficient</b> | <0.0004 dB/dB/°C |

**Dimensions(mm)**



**Notes**

- 1.To maintain best performance, recommended to use fan to keep the case temperature under 85°C.
- 2.Customized dB values, outlines and optimal accuracy/VSWR available.

**Model Description**

**RFHB18XXSC20**

- 1.XX for dB value: 06=6dB,30=30dB
- 2.Code for connector configuration:  
A=female for two ends; B=male for two ends  
C=female for one end and male for the other.