

10-16GHz Low Noise Amplifier

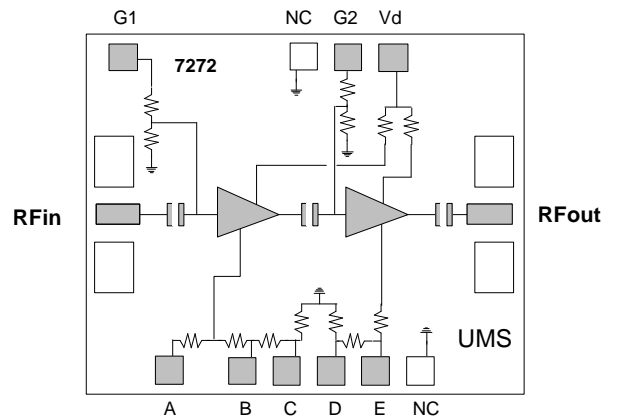
GaAs Monolithic Microwave IC

Description

The CHA2066 is a two-stage wide band monolithic low noise amplifier.

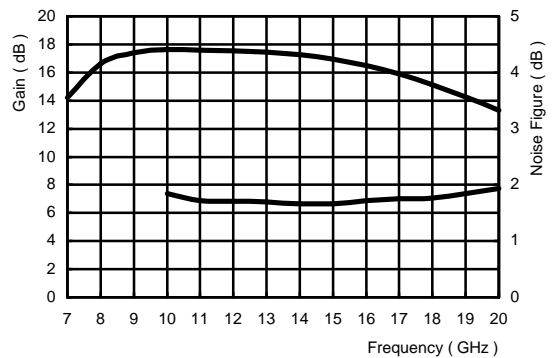
The circuit is manufactured with a standard pHEMT process: 0.25µm gate length, via holes through the substrate, air bridges and electron beam gate lithography.

It is supplied in chip form.



Main Features

- Broad band performance 10-16GHz
- 2.0dB noise figure, 10-16GHz
- 16dB gain, ± 0.5dB gain flatness
- Low DC power consumption, 50mA
- 20dBm 3rd order intercept point
- Chip size: 1,52 x 1,08 x 0.1mm



On wafer typical measurements.

Main Characteristics

Tamb = +25°C

Symbol	Parameter	Min	Typ	Max	Unit
NF	Noise figure, 10-16GHz		2.0	2.5	dB
G	Gain	14	16		dB
ΔG	Gain flatness		± 0.5	± 1.0	dB

ESD Protections : Electrostatic discharge sensitive device observe handling precautions !

Electrical Characteristics

Tamb = +25°C, Vd = +4V

Symbol	Parameter	Min	Typ	Max	Unit
Fop	Operating frequency range	10		16	Ghz
G	Gain (1)	14	16		dB
ΔG	Gain flatness (1)		± 0.5	± 1.0	dB
NF	Noise figure (1)		2.0	2.5	dB
VSWRin	Input VSWR (1)			3.0:1	
VSWRout	Ouput VSWR (1)			3.0:1	
IP3	3rd order intercept point		20		dBm
P1dB	Output power at 1dB gain compression		10		dBm
Rth	Thermal resistance		200		°C/W
Id	Drain bias current (2)		45		mA

(1) These values are representative of on-wafer measurements that are made without bonding wires at the RF ports. When the chip is attached with typical 0.3nH input and output bonding wires, the indicated parameter values should be improved.

(2) This current is the typical value from the low noise low consumption biasing (B & D grounded).

Absolute Maximum Ratings (1)

Tamb = +25°C

Symbol	Parameter (1)	Values	Unit
Vd	Drain bias voltage (3)	4.5	V
Pin	Maximum CW Input Power	-1	dBm
Pin	Maximum peak input power overdrive (2)	+15	dBm
Top	Operating temperature range	-40 to +85	°C
Tstg	Storage temperature range	-55 to +125	°C

(1) Operation of this device above anyone of these paramaters may cause permanent damage.

(2) Duration < 1s.

(3) For a typical biasing circuit: B & D grounded. See chip biasing option page 7/8.

Typical Results

Chip Typical Response (On wafer Sij)

Tamb = +25°C

Vd = 4.0V; Vg1 = Vg2 = +1.4Volt ; Id = 45mA (A,B,C,D & E not connected)

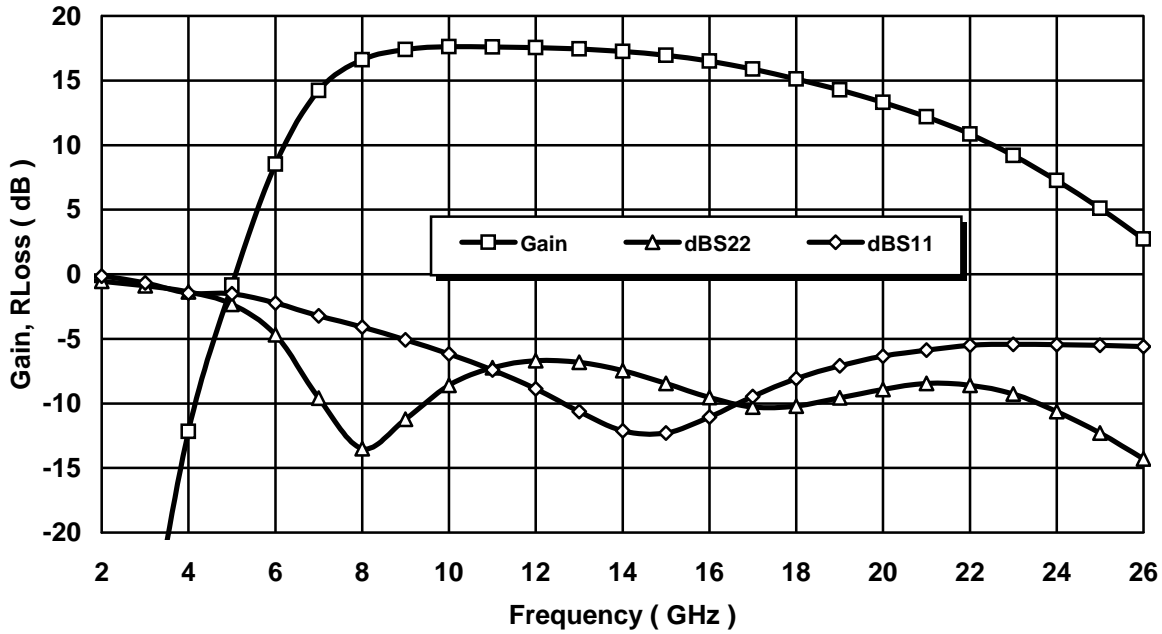
Freq GHz	MS11 dB	PS11 °	MS12 dB	PS12 °	MS21 dB	PS21 °	MS22 dB	PS22 °
1.00	-0.25	-16.1	-82.22	90.1	-46.86	-148.0	-0.07	-7.1
2.00	-0.54	-31.8	-83.38	37.9	-46.99	-169.6	-0.15	-14.8
3.00	-0.88	-48.8	-84.02	17.8	-30.57	-13.6	-0.67	-24.3
4.00	-1.38	-68.9	-72.90	21.7	-12.70	-58.0	-1.41	-26.7
5.00	-2.32	-95.1	-62.06	8.4	-1.44	-96.2	-1.47	-33.3
6.00	-4.51	-131.2	-52.22	-25.9	7.98	-145.4	-2.17	-41.3
7.00	-8.90	-177.3	-45.23	-71.4	13.83	154.7	-3.17	-46.2
8.00	-12.32	122.2	-41.37	-112.2	16.32	100.4	-4.01	-50.1
9.00	-10.70	61.8	-39.16	-144.4	17.19	56.4	-4.90	-53.3
10.00	-8.32	24.9	-37.57	-170.5	17.48	20.2	-5.99	-56.8
11.00	-7.00	-1.8	-36.41	168.3	17.54	-10.5	-7.27	-59.4
12.00	-6.48	-23.4	-35.43	149.3	17.55	-38.0	-8.87	-60.5
13.00	-6.63	-42.1	-34.71	131.5	17.53	-63.6	-10.85	-57.5
14.00	-7.33	-58.2	-34.27	114.2	17.44	-88.2	-12.73	-46.1
15.00	-8.51	-71.5	-34.16	98.4	17.23	-112.3	-13.16	-27.4
16.00	-9.93	-79.7	-34.42	83.4	16.85	-135.9	-11.71	-13.0
17.00	-11.00	-82.6	-35.18	70.8	16.29	-158.6	-9.84	-8.5
18.00	-11.11	-83.8	-36.29	61.5	15.59	179.4	-8.29	-9.4
19.00	-10.35	-88.5	-37.52	58.2	14.75	158.2	-7.17	-13.1
20.00	-9.53	-100.1	-38.26	59.5	13.82	137.2	-6.34	-18.1
21.00	-8.97	-117.1	-37.98	64.4	12.71	115.9	-5.86	-23.7
22.00	-9.04	-137.0	-36.56	64.7	11.36	95.5	-5.47	-29.3
23.00	-9.70	-161.0	-35.28	56.8	9.72	75.4	-5.35	-34.7
24.00	-10.97	174.2	-34.49	47.1	7.77	56.6	-5.37	-39.3
25.00	-12.61	144.5	-34.15	36.2	5.59	39.2	-5.41	-43.4
26.00	-14.42	110.6	-34.37	24.8	3.10	23.8	-5.70	-46.2

Typical Results

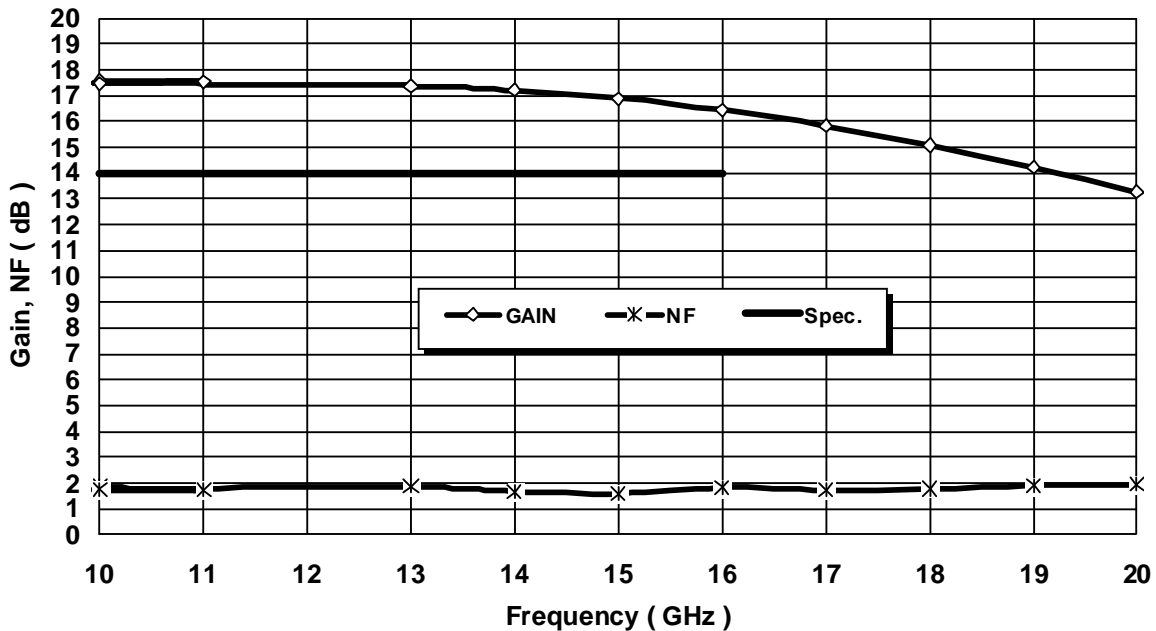
Chip Typical Response (On wafer Si)

Tamb = +25°C

Vd = 4.0V; Vg1 = Vg2 = +1.4Volt; Id = 45mA (A,B,C,D & E not connected)



Typical Gain and Matching measurements on wafer

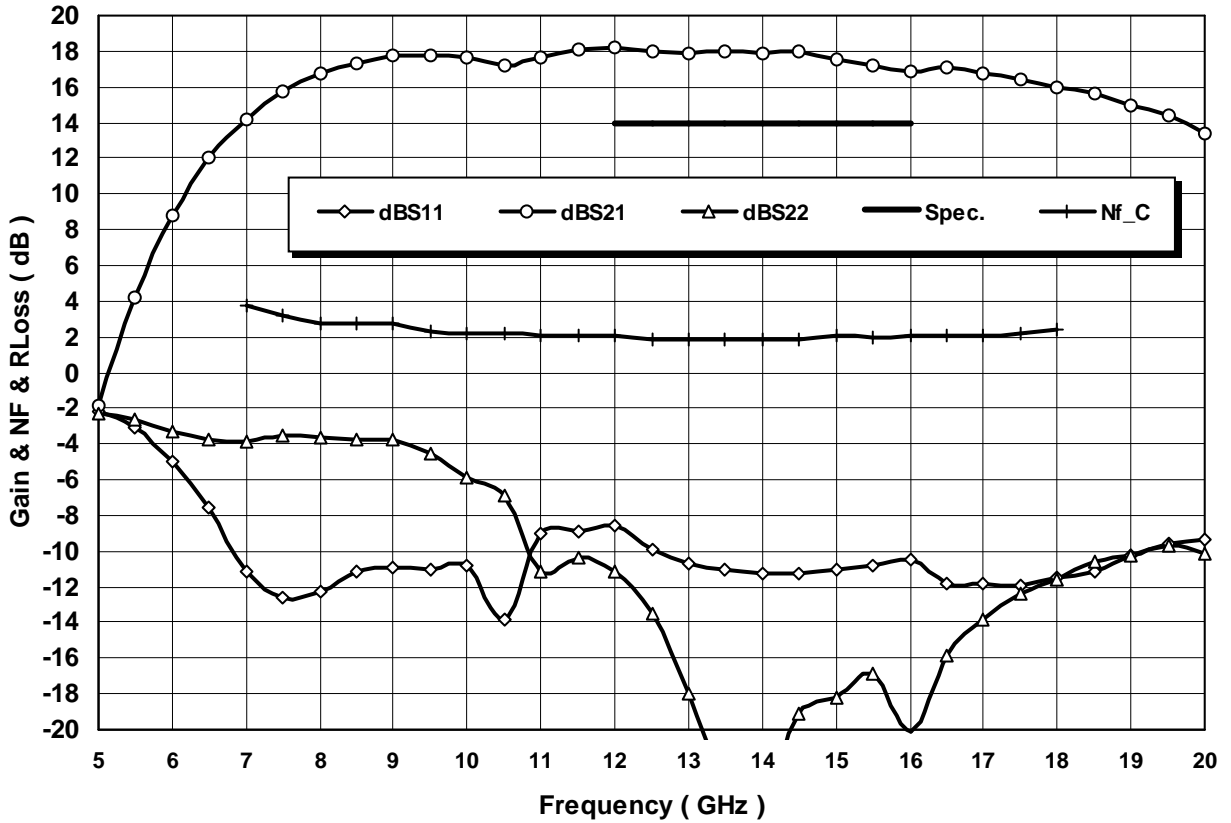


Typical Gain and Noise Figure measurements on wafer

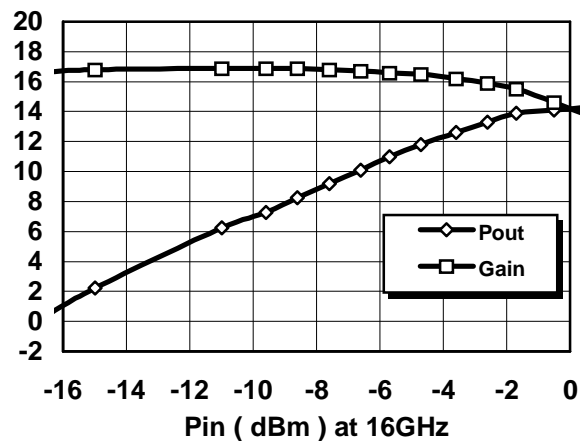
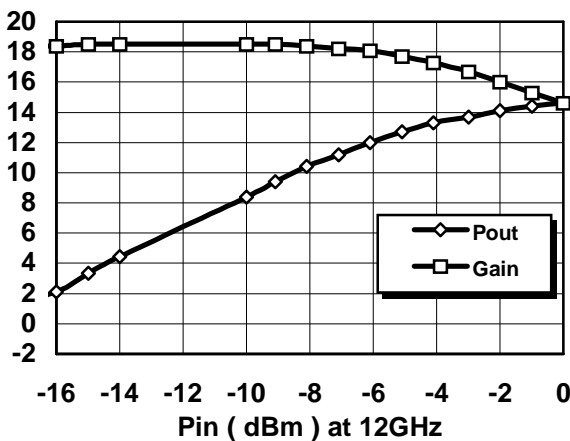
Typical Test-Jig Results

Circuit Typical Response (Test-Jig)

Tamb = +25°C Vd = 4.0V ; B & E Pads grounded ; Id = 65mA (Vg1 & Vg2 NC)

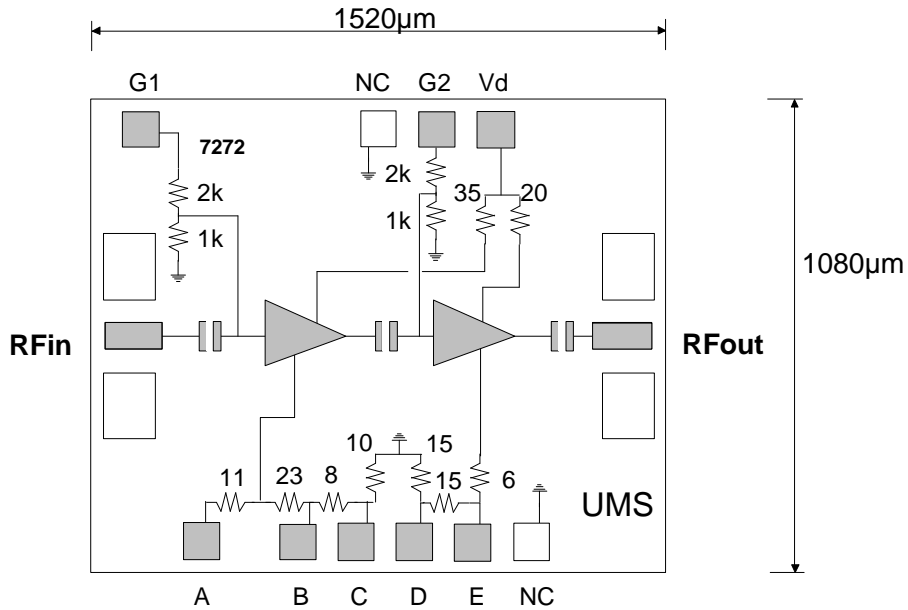


Typical Linear measurements in test-jig

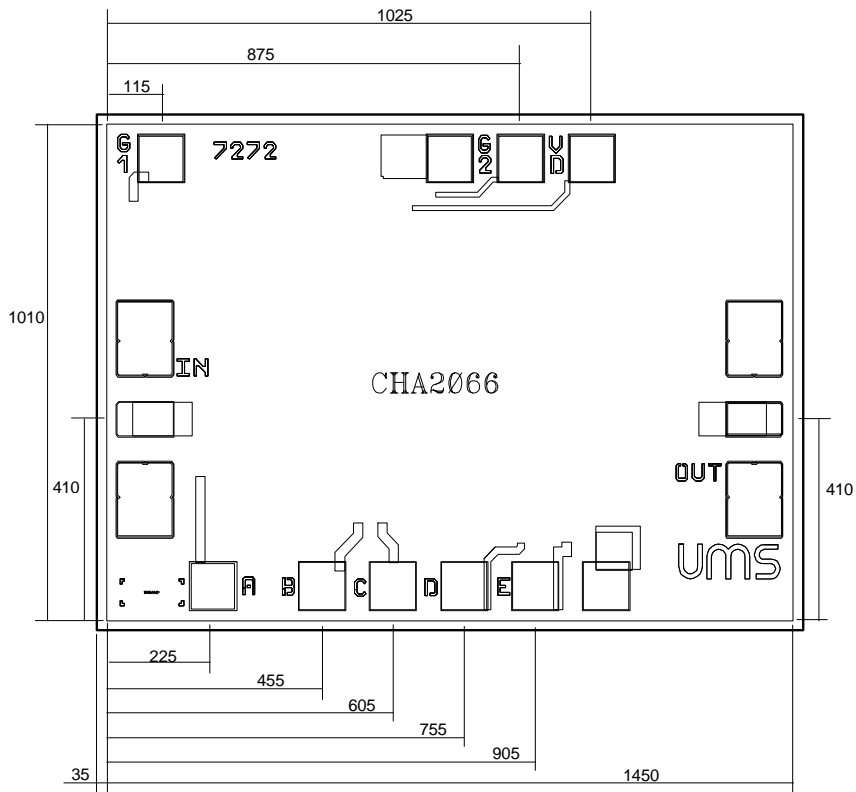


Typical Output Power measurements in test-jig

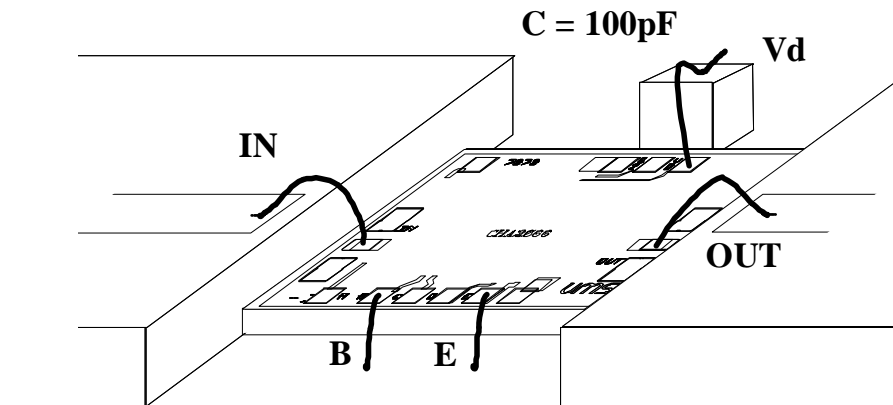
Chip schematic and Pad Identification



Pad size 100x100µm, chip thickness 100µm
 Dimensions : 1520 x 1080µm ± 35µm

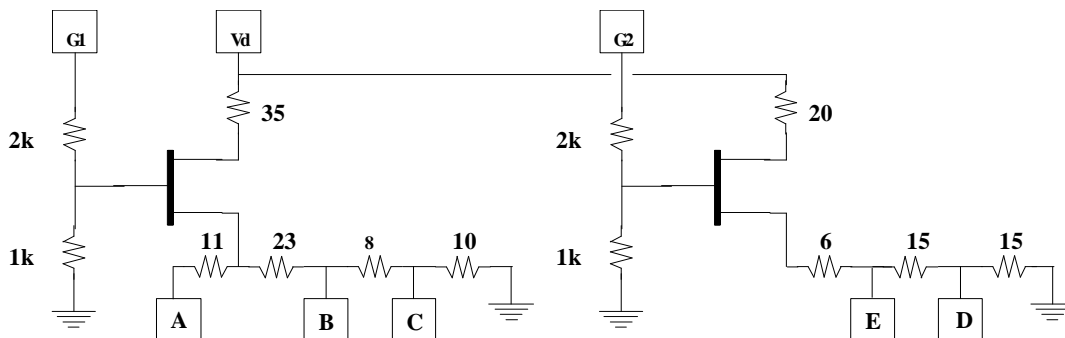


Typical Chip Assembly



Chip Biasing options

This chip is self-biased, and flexibility is provided by the access to number of pads. the internal DC electrical schematic is given in order to use these pads in a safe way.



The two requirements are:

N°1 : Not exceed $V_{ds} = 3.5\text{V}$ (internal Drain to Source voltage).

N°2 : Not biased in such a way that V_{gs} becomes positive.

(internal Gate to Source voltage)

We propose two standard biasing:

Low Noise and low consumption:

$V_d = 4\text{V}$ and B & D grounded.

All the other pads non connected (NC).

$I_{dd} = 45\text{mA}$ & $P_{out-1\text{dB}} = +10\text{dBm}$ Typical.

(Equivalent to A,B,C,D,E : NC and $V_d=4\text{V}$; $G1=+1.4\text{V}$; $G2=+1.4\text{V}$).

Low Noise and high output power:

$V_d = 4\text{V}$ and B & E grounded.

All the other pads non connected (NC).

$I_{dd} = 65\text{mA}$ & $P_{out-1\text{dB}} = +13\text{dBm}$ Typical.

(Equivalent to A,B,C,D,E : NC and $V_d=5\text{V}$; $G1=+1.4\text{V}$; $G2=+4.0\text{V}$).

A file is available on request to help the biasing option tuning.

Ordering Information

Chip form : CHA2066-99F/00

Information furnished is believed to be accurate and reliable. However **United Monolithic Semiconductors S.A.S.** assumes no responsibility for the consequences of use of such information nor for any infringement of patents or other rights of third parties which may result from its use. No license is granted by implication or otherwise under any patent or patent rights of **United Monolithic Semiconductors S.A.S.**. Specifications mentioned in this publication are subject to change without notice. This publication supersedes and replaces all information previously supplied. **United Monolithic Semiconductors S.A.S.** products are not authorised for use as critical components in life support devices or systems without express written approval from **United Monolithic Semiconductors S.A.S.**