

50 Ω MMCX TO 6 GHz

MMCX Cable Assemblies

RF174, RF178, RF316, RS316



SERIES	END 1 CONNECTOR	END 2 CONNECTOR	OVERALL LENGTH
RF174 = RG 174 Cable	-03SP1 = MMCX Straight Plug		-"XXXX" = Overall Length in millimeters -0100 (100 mm) 3.94" minimum
RF178 = RG 178 Cable (-03SP1 & -03RP1 only)	-03RP1 = MMCX Right-angle Plug		
RF316 = RG 316 Cable, Single Braid Shield	-V3SP1 = MMCXV Straight Plug, High Vibration		
RS316 = RG 316 Cable, Double Shielded (-03SP1 only)	-V3RP1 = MMCXV Right-angle Plug, High Vibration		
	-V3SJ1 = MMCXV Straight Jack, High Vibration		

ALSO AVAILABLE

50 Ω: MCX, SMA, SMB, BNC, TNC,
N Type = RF174, RF178, RF316
50 Ω: MCX, SMA, BNC, TNC = RS316

MMCX Cable Connectors

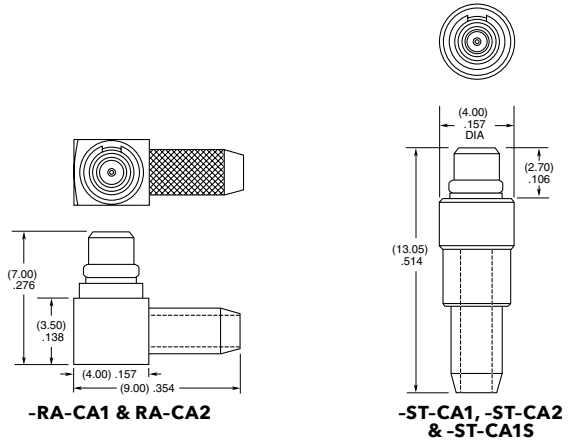
MMCX-CA



CONNECTORS FOR INDUSTRY STANDARD CABLES	
MMCX-P-C-H-ST-CA1	RG 174/316 Cable
MMCX-P-C-H-ST-CA2	RG 178 Cable
MMCX-P-C-HF-ST-CA1S	RG 316 Double Shielded Cable
MMCX-P-C-H-RA-CA1	RG 174/316 Cable
MMCX-P-C-H-RA-CA2	RG 178 Cable

P-C = Cable Plug
H or HF = Plating (30 μ" Gold center contact,
3 μ" Gold outer contact)
ST = Straight
RA = Right-angle

Supplied with pins and ferrules.
See website for dimensions.



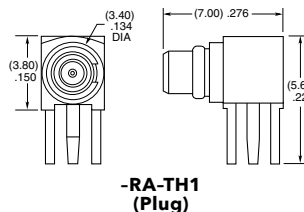
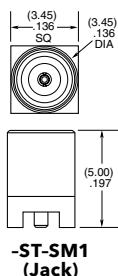
MMCX Board Connectors

MMCX-SM, MMCX-TH, MMCX-MT, MMCX-EM

Cable Mates:
RF174, RF178, RF316, RS316, GRF1H-C, IJ5H



MMCX	GENDER	TYPE	PLATING	ORIENTATION	TERMINATION
	-J = Jack	-P = PCB Mount	-H = 30 μ" (0.76 μm) Gold center contact, 3 μ" (0.08 μm) Gold outer contact	-ST = Straight -RA = Right-angle	-TH1 = Through-hole -MT1 = Mixed Technology (-ST only) -SM1 = Surface Mount (-RA plug not available) -EM1 = Edge Mount (-ST only)



Mouser Electronics

Authorized Distributor

Click to View Pricing, Inventory, Delivery & Lifecycle Information:

Samtec:

[MMCX-J-P-H-ST-SM1](#) [MMCX-J-P-H-ST-TH1](#) [MMCX-J-P-H-ST-MT1](#) [MMCX-P-P-H-ST-TH1](#) [MMCX-J-P-H-RA-TH1](#)
[MMCX-J-P-H-ST-EM1](#) [MMCX-P-P-H-ST-SM1](#) [MMCX-P-P-H-ST-EM1](#) [MMCX-P-P-H-ST-MT1](#) [MMCX-J-P-H-RA-SM1](#)
[MMCX-P-P-H-RA-TH1](#) [MMCXV-P-C-HF-RA-CA1](#) [MMCXV-J-P-HF-ST-TH1](#) [MMCX-P-C-H-ST-CA1](#) [MMCX-P-C-H-RA-](#)
[CA2](#) [MMCX-P-C-H-ST-CA2](#) [MMCX-P-C-H-RA-CA1](#) [MMCXV-P-P-GF-ST-TH1](#) [MMCX-J-P-HF-SW-EM1-TR](#) [MMCXV-](#)
[P-C-GF-RA-CA1](#) [MMCXV-J-C-GF-ST-CA1](#) [MMCXV-J-P-HF-ST-EM1](#) [MMCXV-P-P-HF-ST-TH1](#) [MMCXV-J-P-GF-ST-](#)
[TH1](#) [MMCXV-P-C-HF-ST-CA1](#) [MMCX-J-P-HF-SW-EM1](#) [MMCXV-J-C-HF-ST-CA1](#) [MMCXV-P-C-GF-ST-CA1](#)
[MMCXV-J-P-GF-ST-EM1](#)