

DPDT Coaxial Switches

Model: LF22-12T40 / LF22-24T40 / LF22-28T40

Key features:

- LF22-12T40 – Coaxial Switch, DPDT, 2.92 mm, Latching, 12 VDC, TTL, DC to 40 GHz, DSUB-9
- LF22-24T40 – Coaxial Switch, DPDT, 2.92 mm, Latching, 24 VDC, TTL, DC to 40 GHz, DSUB-9
- LF22-28T40 – Coaxial Switch, DPDT, 2.92 mm, Latching, 28 VDC, TTL, DC to 40 GHz, DSUB-9

ELECTRICAL SPECIFICATIONS:

Parameter	Condition
Frequency range	DC-40 GHz
Impedance	50 Ω
Operation mode	Latching
Switch sequence	Break before make
Switching time	15 ms max
Mechanical life	2 million min
TTL input	0-0.8 V(OFF), 2.4-5 V(ON)
Rated voltage	12 24 28 VDC
Operating current at 23 °C	400 180 230 mA

RF SPECIFICATIONS:

Frequency Range (GHz)	DC-6	6-12	12-18	18-26.5	26.5-40
Insertion Loss (MAX) dB	0.2	0.25	0.4	0.9	1.3
Isolation (MIN) dB	70	70	60	55	50
VSWR (MAX)	1.3	1.4	1.5	1.7	2.0

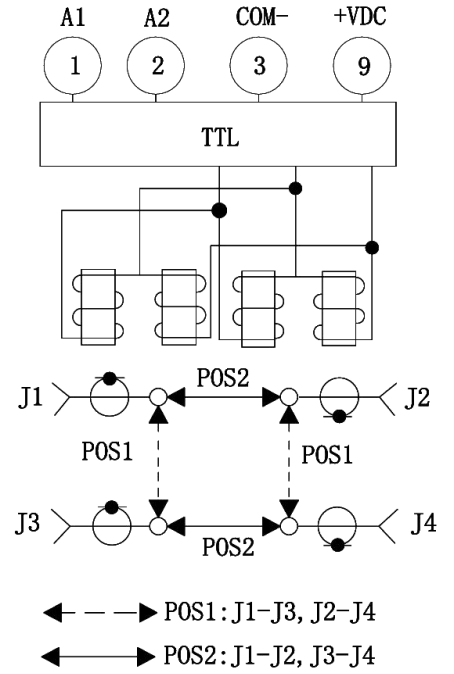
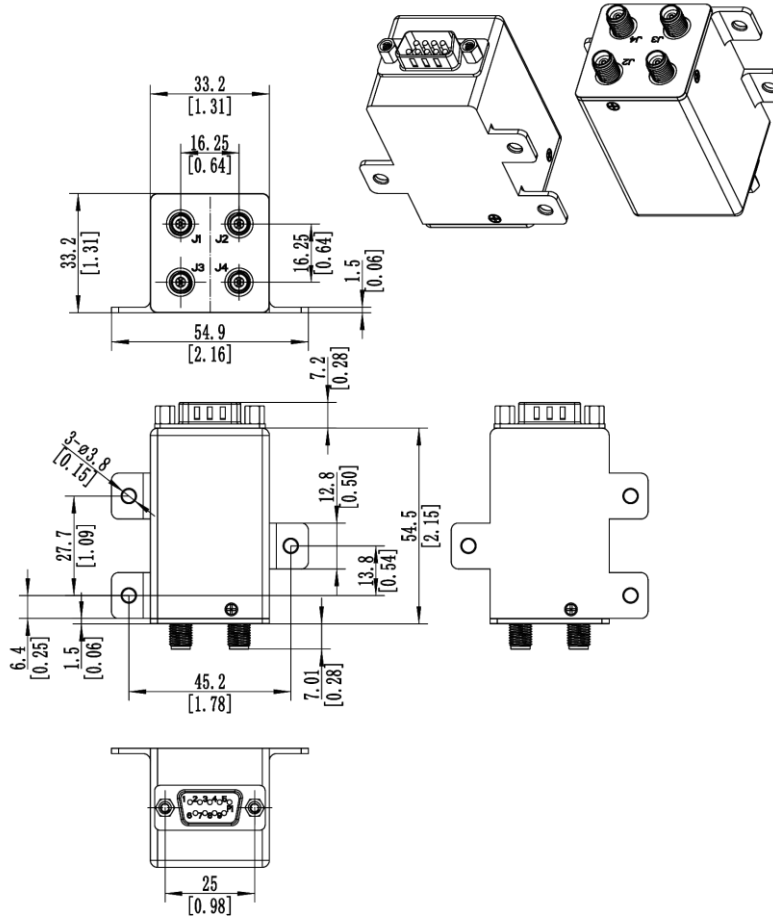
ENVIRONMENTAL AND PHYSICAL CHARACTERISTICS:

Parameter	Condition
Operating temperature range	-25°C to +65°C (Standard) -55°C to +85°C (Optional)
Sine vibration (Operating)	20 – 2000 Hz, 10g
Shocks (Non-Operating)	50g / 11ms, ½ sine
RF Connector type	2.92mm Female
Control connector	D-SUB 9 Pin Male
Weight	120g Max

Outline Drawing

Unit: mm

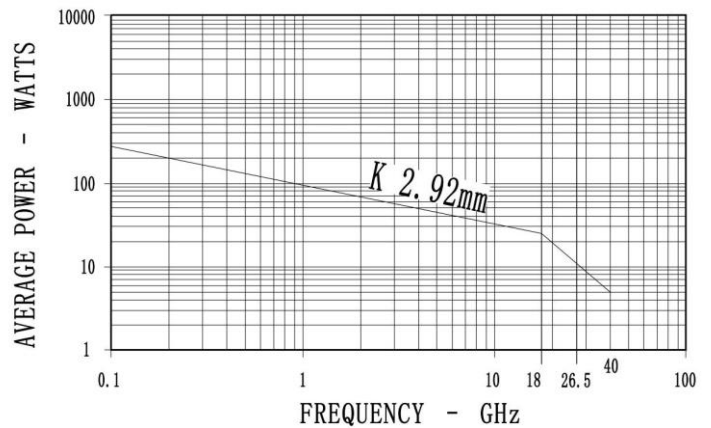
Schematic:



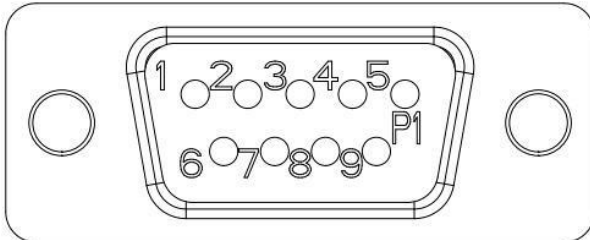
This graph is based on the following conditions:

- Ambient temperature: +25°C
- Sea level
- VSWR: 1 and cold switching

Average power:



PIN DEFINITION:



9 PIN D – SUB		RF CONNECT USED
PIN NO.	Function	DPDT
1	A1(TTL IN)	POS1: J1-J3, J2-J4
2	A2(TTL IN)	POS2: J1-J2, J3-J4
3	COM-	
4-8	UNUSED	
9	+VDC	

ACTUATOR VOLTAGE:

PART NUMBER	Actuator Voltage
LF22-12T40	12 VDC
LF22-24T40	24 VDC
LF22-28T40	28 VDC

Typical Performance Data:

