



Electrical

Impedance	50 ohm
Frequency Range	DC-40 GHz
VSWR	1.3 max
Input Avg Power	25W@25°C ambient, derating linearly to 2.5W at 100°C
Peak Power	200W (5 micro-sec pulse width, 6% duty cycle)

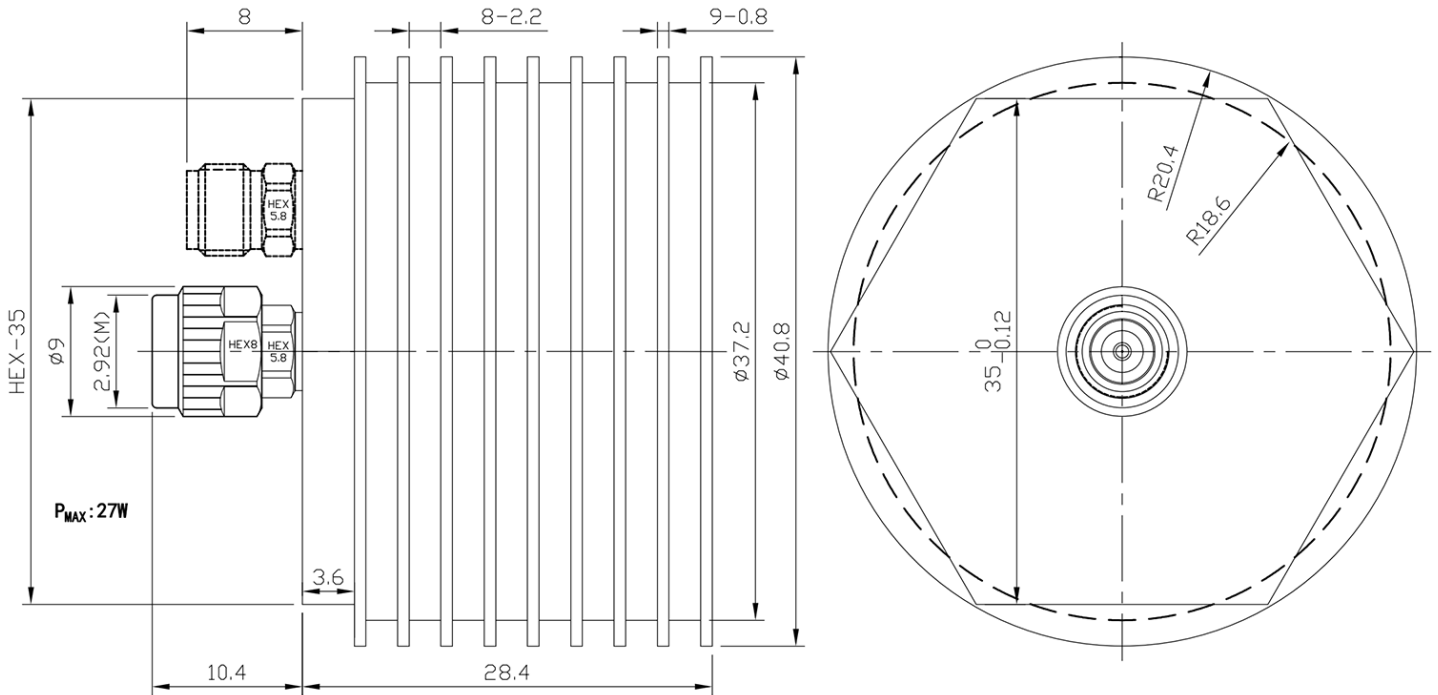
Mechanical

Connector Body	Passivated stainless steel
Center Contact	1.27um gold plated BeCu
Heat Sink	Black anodized aluminum

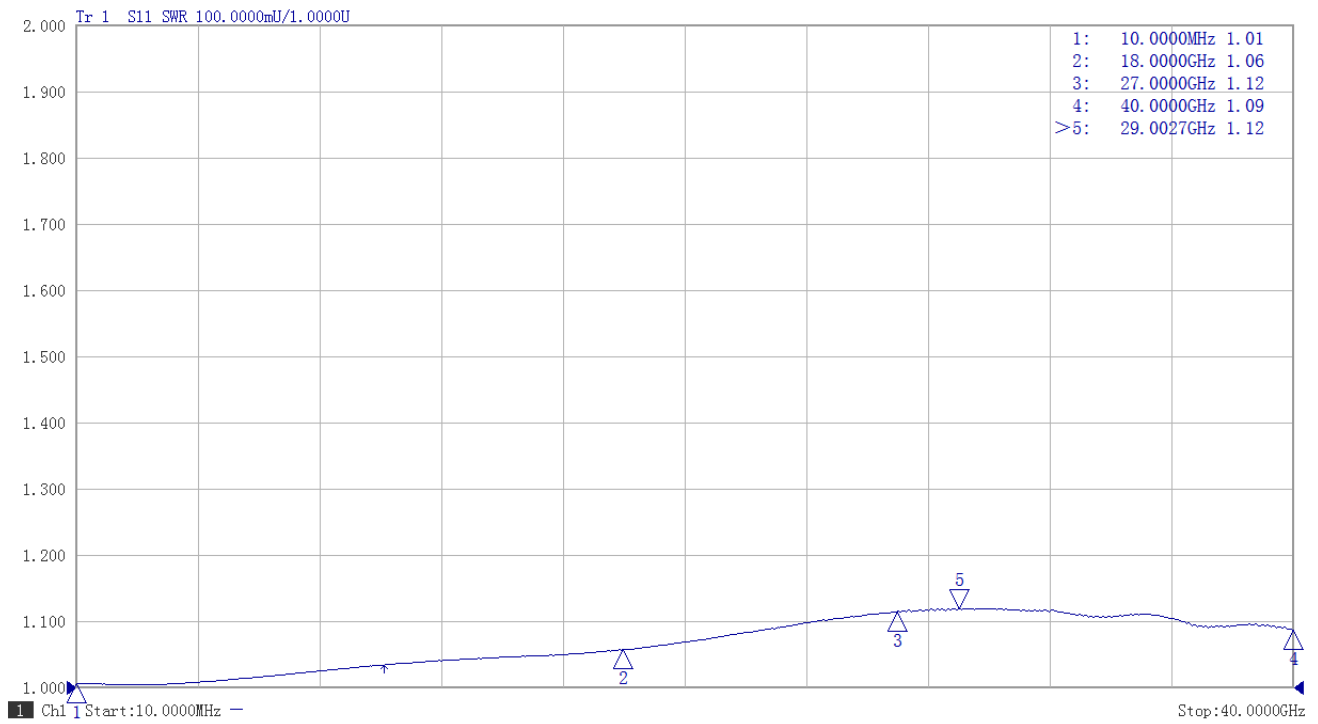
Environmental

Operating Temp	-55°C to 100°C
Storage Temp	-55°C to 125°C
RoHS	Compliant

Dimensions(mm)



Typical Test Data



Notes

1. Customized outlines and optimal VSWR available.
2. To maintain best performance, recommended to use fan to keep the case temperature under 85°C.