



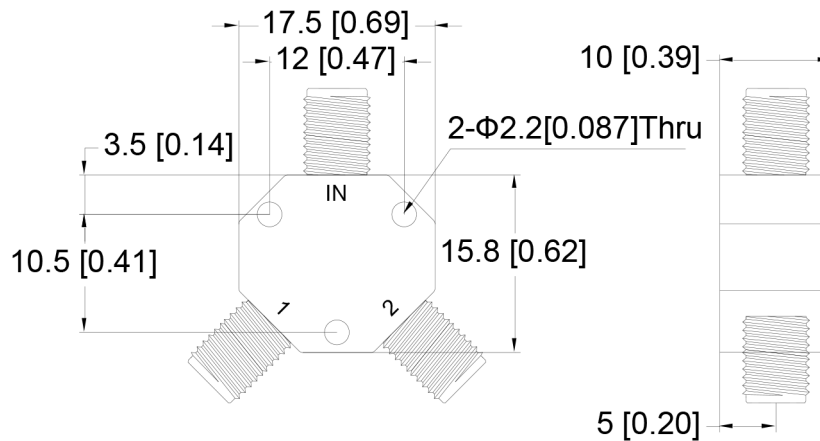
Electrical & Environmental

Impedance	50 ohm
Number of Output Ports	2 Way
Frequency Range	DC-67 GHz
Insertion Loss	≤ 2.5dB (Excluding theoretical loss 6.0dB)
VSWR	≤ 1.8 (Input), ≤ 2.5 (Output)
Isolation	≥10dB (DC-60GHz), typical 8-10db (60-67GHz)
Amplitude Balance	≤ ±0.8dB
Phase Balance	≤ ±8°
Input Power	≤1 Watts (Forward); ≤0.1 Watts (Reverse)
Operating Temperature	-40°C ~ +85°C

Mechanical

Input/Output Connectors	1.85mm Female Body: Stainless steel, Center contact: Gold plated BeCu
Housing	Blue painting
Weight	25g

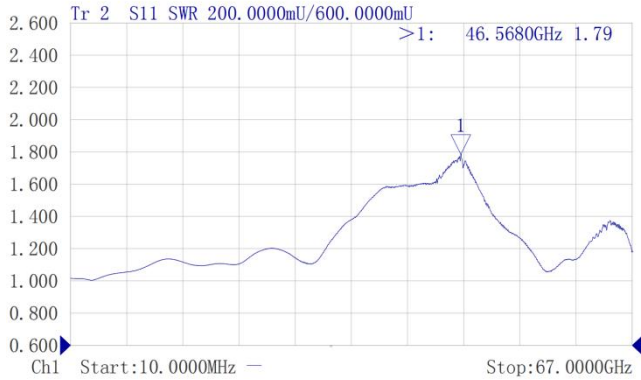
Dimensions(Unit: mm)



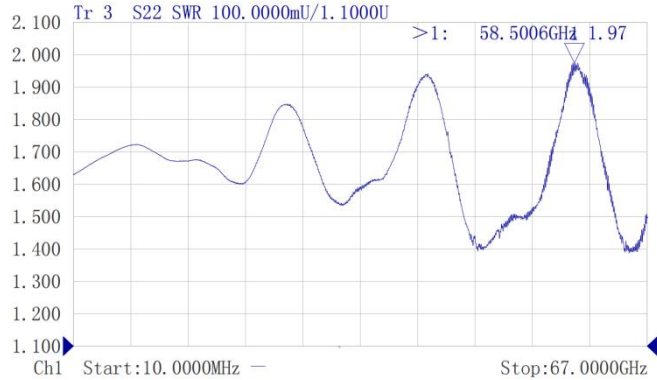


Typical Test Data

Input Port VSWR



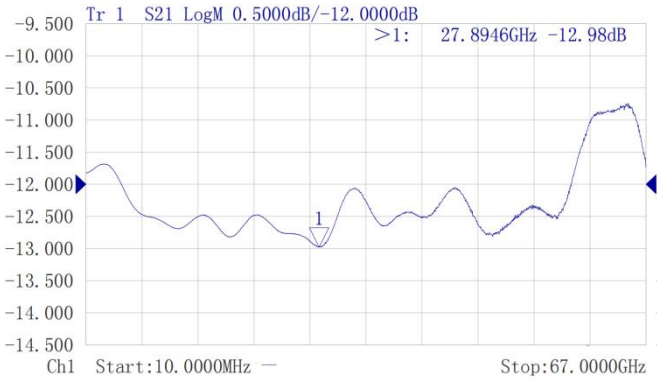
Output Port VSWR



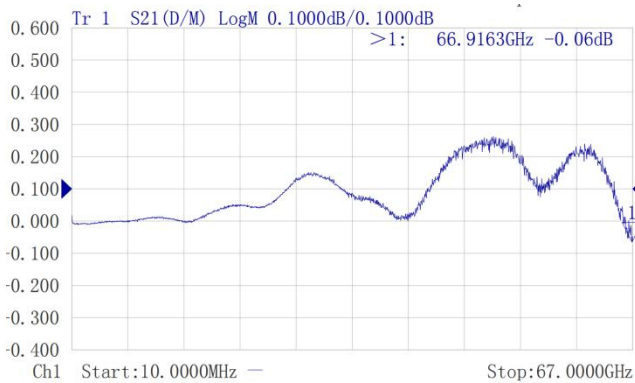
Insertion Loss



Isolation



Amplitude Balance



Phase Balance

