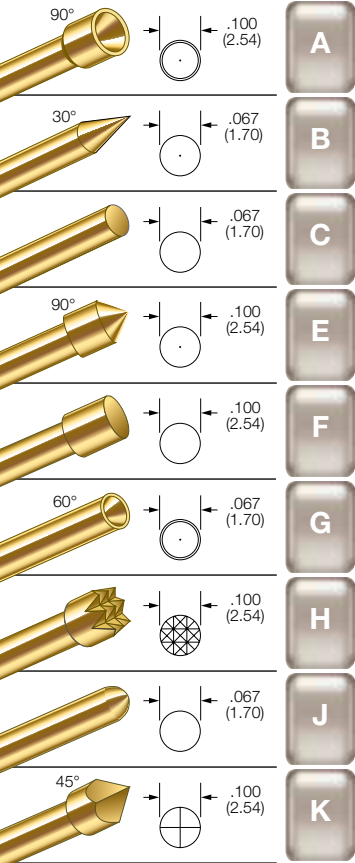


Series S SIZE 3 .125 CENTERS

STEEL PLUNGER TIPS



PROBE SPECIFICATIONS

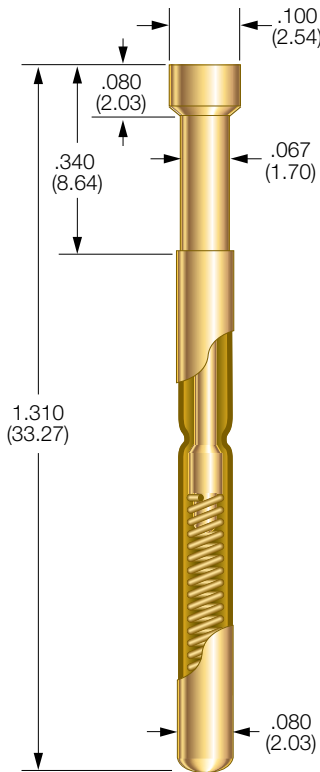
Minimum Centers: .125 (3.18)
Current Rating: 5 amps continuous
Spring Force: 4.0 or 7.0 oz. @ .170 (4.32) travel
Typical Resistance: < 20 mΩ
Maximum Travel: .250 (6.35)
Working Travel: .170 (4.32)

Rated Force oz (g)	Preload oz (g)
4.0 (113)	1.8 (51)
7.0 (198)	2.9 (82)

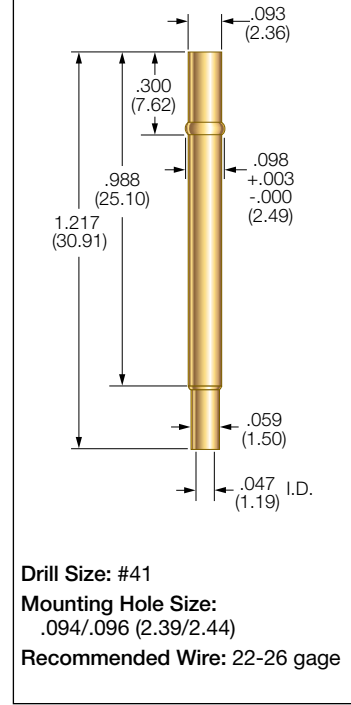
MATERIALS

Barrel: Nickel/silver, gold plated
Spring: Stainless steel, gold plated
Plunger: Beryllium copper, gold plated over nickel or Duralloy™
Receptacle: Nickel/silver, gold plated, gold plated post

S-3 PROBE



R-3 Receptacle



Drill Size: #41
Mounting Hole Size: .094/.096 (2.39/2.44)
Recommended Wire: 22-26 gage

RECEPTACLE OPTIONS

Part Number	Style	Receptacle Length	Probe/Receptacle Combined Length	Comments
R-3-CR	Crimp	1.217 (30.91)	1.539 (39.09)	—
R-3-SC	Solder Cup	1.217 (30.91)	1.539 (39.09)	—
R-3-WW-429	Wire Wrap	1.646 (41.81)	1.968 (49.99)	.429 post length - .025 sq.

HOW TO ORDER: SPRING CONTACT PROBE

S	3	A	4	G
SERIES	SIZE	TIP STYLE	SPRING FORCE	PLATING OPTIONS

SPRING FORCE:
 4.0 oz. @ .170 (4.32) TRAVEL
 7.0 oz. @ .170 (4.32) TRAVEL

PLATING OPTIONS:
G: GOLD PLATED PLUNGER
D: DURALLOY™ PLATED PLUNGER

CRIMPING PLIERS: CP3
INSERTION TOOL: RT3

RECEPTACLE

R	3	WW	429
SERIES	SIZE	TERMINATION	POST LENGTH

TERMINATIONS:
CR: CRIMP
SC: SOLDER CUP
WW: WIRE WRAP

POST LENGTH:
WW: 429

VIEW UPDATES OF THIS INFORMATION AT WWW.IDINET.COM

Specifications subject to change without notice. Dimensions in inches (millimeters)

Mouser Electronics

Authorized Distributor

Click to View Pricing, Inventory, Delivery & Lifecycle Information:

[Smiths Interconnect:](#)

[R-3-CR](#) [R-3-SC](#)