

## Electrical Specifications

Frequency:	DC - 40.0 GHz
VSWR:	1.1:1 max.
Insertion Loss:	0.025 x SQRT(f(GHz)) dB
RF Leakage:	-(100 - f(GHz)) dB
Dielectric Withstanding Voltage:	1,000 Volts rms at Sea Level

## Environmental Specifications

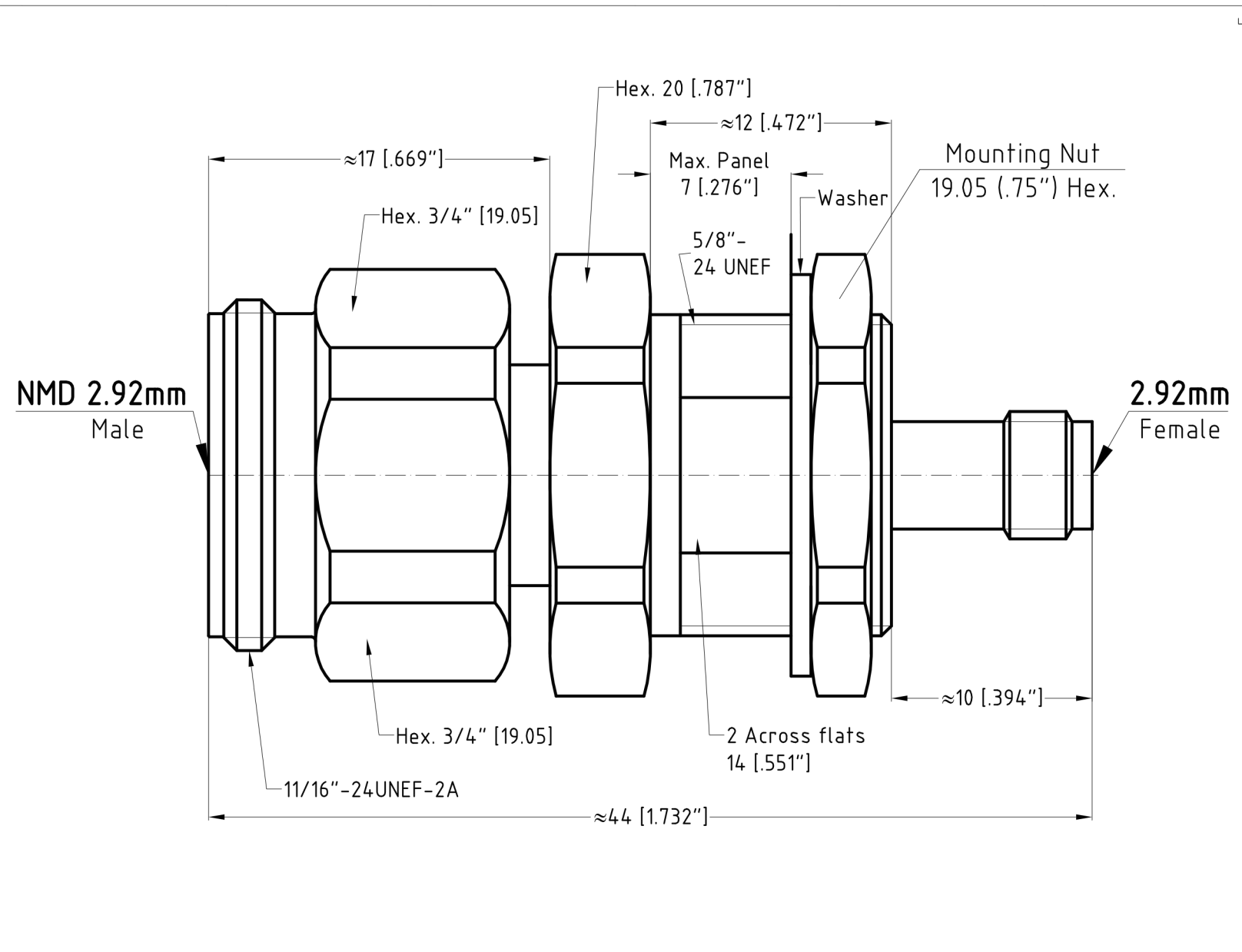
Temperature Range:	-65°C to +85°C
--------------------	----------------

## Materials

Steel	Corrosion resistant 1.4305 per DIN EN 10088-3 (ASTM-A-582-80)
Copper Beryllium	33-25 CuBe2Pb H per DIN 17666 (ASTM-B-196)
Brass	CuZn39Pb3; CW614N. per DIN EN 12163/12164 (ASTM-B-16)
Silicone Rubber	per DIN 3771 (A-A-59588, Class 2B) Grade 50-75
Thermoplast	per DIN EN ISO 10350

## Finish

Stainless Steel	shall be passivated per ASTM-A-967
Copper Beryllium	Centre Contacts shall be gold plated to a minimum thickness of .00005 inch (1.27 µm) in accordance with ASTM-B-488, Type III, Code C, Class 1.25
Brass	.000031 inch (0.75 µm) min. gold plating per ASTM-B-488, Type III, Code C, Class 0.75



DRAWING-SETS		SURFACE TREATMENT		ADM. TOL.		SURFACE		SCALE		WEIGHT	
8002-KFKP-02						ISO 1302					
						DATE	NAME	DESCRIPTION			
						DRAWN 23.10.17	TPU	<b>Adapter 2.92mm (K) Male NMD to 2.92mm (K) Female Straight, Bulkhead Feedthrough Mounting</b>			
						APPROV. 23.10.17	PvN				
		1	M16x1 ->	08.01.18	TPU	NORM		DRAWING NUMBER		SHEET	
			-> $5/8$ "-24 UNEF					8002-KFKP-02		OF	
			Mounting Nut					EDV-NR.		KUZ	
			20(.787")Hex ->								
			-> Mounting Nut								
			19.05(.75")Hex								
THIS DRAWING EMBODIES A CONFIDENTIAL PROPERTY DESIGN ORIGINATED BY SPECTRUM ELEKTROTECHNIK GMBH AND ALL DESIGN, MANUFACTURING AND REPRODUCTION, USE AND SALE RIGHTS REGARDING THE SAME ARE EXPRESSLY RESERVED. IT IS SUBMITTED UNDER CONFIDENTIAL RELATIONSHIP FOR A SPECIFIED PURPOSE AND THE RECIPIENT AGREES BY ACCEPTING THIS DRAWING NOT TO SUPPLY OR DISCLOSE ANY INFORMATION REGARDING IT TO ANY UNAUTHORIZED PERSON TO INCORPORATE IN OTHER PROJECTS ANY SPECIAL FEATURES PECULIAR TO THIS DESIGN. ALL PATENT RIGHTS HERETO ARE EXPRESSLY RESERVED BY SPECTRUM ELEKTROTECHNIK GMBH.		STATE		CHANGES	DATE	NAME	CODE: C3117				