

FEATURES

- 256 positions
- Multiple independently programmable channels
 - AD5204**—4-channel
 - AD5206**—6-channel
- Potentiometer replacement
- Terminal resistance of 10 k Ω , 50 k Ω , 100 k Ω
- 3-wire SPI-compatible serial data input
- +2.7 V to +5.5 V single-supply operation; ± 2.7 V dual-supply operation
- Power-on midscale preset

APPLICATIONS

- Mechanical potentiometer replacement
- Instrumentation: gain, offset adjustment
- Programmable voltage-to-current conversion
- Programmable filters, delays, time constants
- Line impedance matching

GENERAL DESCRIPTION

The **AD5204/AD5206** provide 4-/6-channel, 256-position digitally controlled variable resistor (VR) devices. These devices perform the same electronic adjustment function as a potentiometer or variable resistor. Each channel of the **AD5204/AD5206** contains a fixed resistor with a wiper contact that taps the fixed resistor value at a point determined by a digital code loaded into the SPI-compatible serial-input register. The resistance between the wiper and either endpoint of the fixed resistor varies linearly with respect to the digital code transferred into the VR latch. The variable resistor offers a completely programmable value of resistance between the A terminal and the wiper or the B terminal and the wiper. The fixed A-to-B terminal resistance of 10 k Ω , 50 k Ω , or 100 k Ω has a nominal temperature coefficient of 700 ppm/ $^{\circ}$ C.

Each VR has its own VR latch that holds its programmed resistance value. These VR latches are updated from an internal serial-to-parallel shift register that is loaded from a standard 3-wire serial-input digital interface. Eleven data bits make up the data-word clocked into the serial input register. The first three bits are decoded to determine which VR latch is loaded with the last eight bits of the data-word when the $\overline{\text{CS}}$ strobe is returned to logic high. A serial data output pin at the opposite end of the serial register (**AD5204** only) allows simple daisy chaining in multiple VR applications without requiring additional external decoding logic.

Rev. E

[Document Feedback](#)

Information furnished by Analog Devices is believed to be accurate and reliable. However, no responsibility is assumed by Analog Devices for its use, nor for any infringements of patents or other rights of third parties that may result from its use. Specifications subject to change without notice. No license is granted by implication or otherwise under any patent or patent rights of Analog Devices. Trademarks and registered trademarks are the property of their respective owners.

FUNCTIONAL BLOCK DIAGRAMS

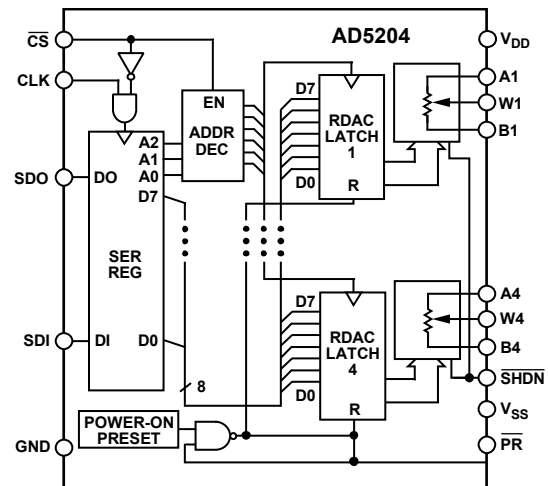


Figure 1.

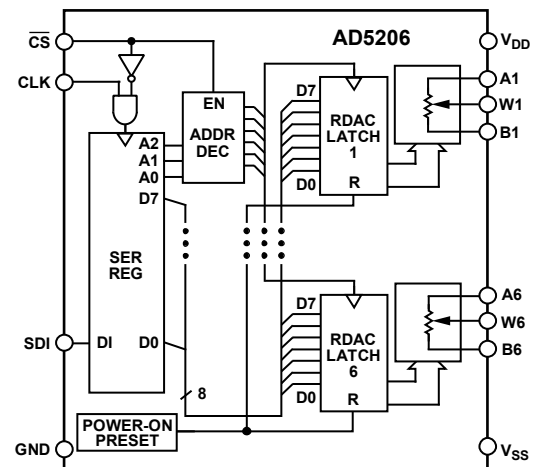


Figure 2.

An optional reset ($\overline{\text{PR}}$) pin forces all the **AD5204** wipers to the midscale position by loading 0x80 into the VR latch.

The **AD5204/AD5206** are available in the 24-lead surface-mount SOIC, TSSOP, and PDIP packages. The **AD5204** is also available in a 32-lead, 5 mm \times 5 mm LFCSP package. All parts are guaranteed to operate over the extended industrial temperature range of -40° C to $+85^{\circ}$ C. For additional single-, dual-, and quad-channel devices, see the **AD8400/AD8402/AD8403** data sheets.

TABLE OF CONTENTS

| | | | |
|---|---|---|----|
| Features | 1 | Typical Performance Characteristics | 10 |
| Applications | 1 | Operation | 12 |
| General Description | 1 | Programming the Variable Resistor | 13 |
| Functional Block Diagrams..... | 1 | Rheostat Operation..... | 13 |
| Revision History | 2 | Programming the Potentiometer Divider | 14 |
| Specifications | 3 | Voltage Output Operation..... | 14 |
| Electrical Characteristics | 3 | Digital Interfacing | 15 |
| Timing Diagrams..... | 5 | Test Circuits | 16 |
| Absolute Maximum Ratings | 6 | Outline Dimensions..... | 17 |
| ESD Caution..... | 6 | Ordering Guide | 18 |
| Pin Configurations and Function Descriptions..... | 7 | | |

REVISION HISTORY

9/2020—Rev. D to Rev. E

| | |
|----------------------------------|------------|
| Changed CP-32-3 to CP-32-13..... | Throughout |
| Changes to Figure 7..... | 8 |
| Updated Outline Dimensions..... | 18 |
| Changes to Ordering Guide..... | 18 |

6/2015—Rev. C to Rev. D

| | |
|---------------------------------|----|
| Updated Outline Dimensions..... | 18 |
| Changes to Ordering Guide..... | 19 |

7/2010—Rev. B to Rev. C

| | |
|---|----|
| Changes to Digital Input and Output Voltage to GND Parameter, Table 2..... | 6 |
| Changes to Ordering Guide..... | 18 |

5/2009—Rev. A to Rev. B

| | |
|---|---|
| Changes to Table 1 | 3 |
| Changes to Absolute Maximum Ratings | 6 |
| Changes to Figure 7 | 8 |
| Changes to Table 4 | 8 |

11/2007—Rev. 0 to Rev. A

| | |
|---|-----------|
| Updated Format | Universal |
| Added 32-Lead LFCSP Package | Universal |
| Changed R_{BA} to R_{AB} | Universal |
| Changes to Absolute Maximum Ratings | 6 |
| Changes to Operation Section..... | 12 |
| Updated Outline Dimensions | 17 |
| Changes to Ordering Guide..... | 18 |

9/1999—Revision 0: Initial Version

SPECIFICATIONS

ELECTRICAL CHARACTERISTICS

$V_{DD} = 5\text{ V} \pm 10\%$ or $3\text{ V} \pm 10\%$, $V_{SS} = 0\text{ V}$, $V_A = V_{DD}$, $V_B = 0\text{ V}$, $-40^\circ\text{C} < T_A < +85^\circ\text{C}$, unless otherwise noted.

Table 1.

| Parameter | Symbol | Test Conditions/Comments | Min | Typ ¹ | Max | Unit |
|--|--------------------------|--|-----------|------------------|-----------|------------------------|
| DC CHARACTERISTICS RHEOSTAT MODE ² | | | | | | |
| Resistor Differential NL ³ | R-DNL | R_{WB} , $V_A = \text{no connect}$ | -1 | ± 0.25 | +1 | LSB |
| Resistor Nonlinearity Error ³ | R-INL | R_{WB} , $V_A = \text{no connect}$ | -2 | ± 0.5 | +2 | LSB |
| Nominal Resistor Tolerance ⁴ | ΔR_{AB} | $T_A = 25^\circ\text{C}$ | -30 | | +30 | % |
| Resistance Temperature Coefficient | $\Delta R_{AB}/\Delta T$ | $V_{AB} = V_{DD}$, wiper = no connect | | 700 | | ppm/ $^\circ\text{C}$ |
| Nominal Resistance Match | $\Delta R/R_{AB}$ | Channel 1 to Channel 2, Channel 3, and Channel 4, or to Channel 5 and Channel 6; $V_{AB} = V_{DD}$ | | 0.25 | 1.5 | % |
| Wiper Resistance | R_W | $I_W = 1\text{ V}/R$, $V_{DD} = 5\text{ V}$ | | 50 | 100 | Ω |
| DC CHARACTERISTICS POTENTIOMETER DIVIDER MODE ² | | | | | | |
| Resolution | N | | 8 | | | Bits |
| Differential Nonlinearity ⁵ | DNL | | -1 | ± 0.25 | +1 | LSB |
| Integral Nonlinearity ⁵ | INL | | -2 | ± 0.5 | +2 | LSB |
| Voltage Divider Temperature Coefficient | $\Delta V_W/\Delta T$ | Code = 0x40 | | 15 | | ppm/ $^\circ\text{C}$ |
| Full-Scale Error | V_{WFSE} | Code = 0x7F | -2 | -1 | 0 | LSB |
| Zero-Scale Error | V_{WZSE} | Code = 0x00 | 0 | 1 | 2 | LSB |
| RESISTOR TERMINALS | | | | | | |
| Voltage Range ⁶ | V_A, V_B, V_W | | V_{SS} | | V_{DD} | V |
| Capacitance ⁷ Ax, Bx | C_A, C_B | $f = 1\text{ MHz}$, measured to GND, code = 0x40 | | 45 | | pF |
| Capacitance ⁷ Wx | C_W | $f = 1\text{ MHz}$, measured to GND, code = 0x40 | | 60 | | pF |
| Shutdown Current ⁸ | I_{A_SD} | | | 0.01 | 5 | μA |
| Common-Mode Leakage | I_{CM} | $V_A = V_B = V_W = 0$, $V_{DD} = +2.7\text{ V}$, $V_{SS} = -2.5\text{ V}$ | | 1 | | nA |
| DIGITAL INPUTS AND OUTPUTS | | | | | | |
| Input Logic High | V_{IH} | $V_{DD} = 5\text{ V}/3\text{ V}$ | 2.4/2.1 | | | V |
| Input Logic Low | V_{IL} | $V_{DD} = 5\text{ V}/3\text{ V}$ | | | 0.8/0.6 | V |
| Output Logic High | V_{OH} | $R_{PULL-UP} = 1\text{ k}\Omega$ to 5 V | 4.9 | | | V |
| Output Logic Low | V_{OL} | $I_{OL} = 1.6\text{ mA}$, $V_{LOGIC} = 5\text{ V}$ | | | 0.4 | V |
| Input Current | I_{IL} | $V_{IN} = 0\text{ V}$ or 5 V | | | ± 1 | μA |
| Input Capacitance ⁷ | C_{IL} | | | 5 | | pF |
| POWER SUPPLIES | | | | | | |
| Power Single-Supply Range | V_{DD} range | $V_{SS} = 0\text{ V}$ | 2.7 | | 5.5 | V |
| Power Dual-Supply Range | V_{DD}/V_{SS} range | | ± 2.3 | | ± 2.7 | V |
| Positive Supply Current | I_{DD} | $V_{IH} = 5\text{ V}$ or $V_{IL} = 0\text{ V}$ | | 12 | 60 | μA |
| Negative Supply Current | I_{SS} | $V_{SS} = -2.5\text{ V}$, $V_{DD} = +2.7\text{ V}$ | | 12 | 60 | μA |
| Power Dissipation ⁹ | P_{DISS} | $V_{IH} = 5\text{ V}$ or $V_{IL} = 0\text{ V}$ | | | 0.3 | mW |
| Power Supply Sensitivity | PSS | $\Delta V_{DD} = 5\text{ V} \pm 10\%$ | | 0.0002 | 0.005 | %/% |
| DYNAMIC CHARACTERISTICS ^{7,10} | | | | | | |
| Bandwidth -3 dB | BW_10K | $R_{AB} = 10\text{ k}\Omega$ | | 721 | | kHz |
| | BW_50K | $R_{AB} = 50\text{ k}\Omega$ | | 137 | | kHz |
| | BW_100K | $R_{AB} = 100\text{ k}\Omega$ | | 69 | | kHz |
| Total Harmonic Distortion | THD _W | $V_A = 1.414\text{ V rms}$, $V_B = 0\text{ V dc}$, $f = 1\text{ kHz}$ | | 0.004 | | % |
| VW Settling Time (10 k Ω /50 k Ω /100 k Ω) | t_s | $V_A = 5\text{ V}$, $V_B = 0\text{ V}$, $\pm 1\text{ LSB}$ error band | | 2/9/18 | | μs |
| Resistor Noise Voltage | e_{N_WB} | $R_{WB} = 5\text{ k}\Omega$, $f = 1\text{ kHz}$, $\overline{PR} = 0$ | | 9 | | nV/ $\sqrt{\text{Hz}}$ |

| Parameter | Symbol | Test Conditions/Comments | Min | Typ ¹ | Max | Unit |
|---|------------------|--|-----|------------------|-----|------|
| INTERFACE TIMING CHARACTERISTICS ^{7,11,12} | | | | | | |
| Input Clock Pulse Width | t_{CH}, t_{CL} | Clock level high or low | 20 | | | ns |
| Data Setup Time | t_{DS} | | 5 | | | ns |
| Data Hold Time | t_{DH} | | 5 | | | ns |
| CLK-to-SDO Propagation Delay ¹³ | t_{PD} | $R_L = 2\text{ k}\Omega, C_L < 20\text{ pF}$ | 1 | | 150 | ns |
| \overline{CS} Setup Time | t_{CSS} | | 15 | | | ns |
| \overline{CS} High Pulse Width | t_{CSW} | | 40 | | | ns |
| Reset Pulse Width | t_{RS} | | 90 | | | ns |
| CLK Fall to \overline{CS} Fall Setup | t_{CSH0} | | 0 | | | ns |
| CLK Fall to \overline{CS} Rise Hold Time | t_{CSH1} | | 0 | | | ns |
| \overline{CS} Rise to Clock Rise Setup | t_{CS1} | | 10 | | | ns |

¹ Typical values represent average readings at 25°C and $V_{DD} = 5\text{ V}$.

² Applies to all VRs.

³ Resistor position nonlinearity error (R-INL) is the deviation from an ideal value measured between the maximum resistance and the minimum resistance wiper positions. R-DNL measures the relative step change from the ideal position between successive tap positions. Parts are guaranteed monotonic. See the test circuit in Figure 28. $I_W = V_{DD}/R$ for both $V_{DD} = 3\text{ V}$ and $V_{DD} = 5\text{ V}$.

⁴ $V_{AB} = V_{DD}$, wiper (V_W) = no connect.

⁵ INL and DNL are measured at V_W with the RDAC configured as a potentiometer divider similar to a voltage output DAC. $V_A = V_{DD}$ and $V_B = 0\text{ V}$. DNL specification limits of ± 1 LSB maximum are guaranteed monotonic at operating conditions. See the test circuit in Figure 27.

⁶ Resistor Terminal A, Terminal B, and Wiper W have no limitations on polarity with respect to each other.

⁷ Guaranteed by design and not subject to production test.

⁸ Measured at the Ax terminals. All Ax terminals are open circuited in shutdown mode.

⁹ P_{DISS} is calculated from $(I_{DD} \times V_{DD})$. CMOS logic level inputs result in minimum power dissipation.

¹⁰ All dynamic characteristics use $V_{DD} = 5\text{ V}$.

¹¹ Applies to all parts.

¹² See the timing diagrams (Figure 3 to Figure 5) for the location of the measured values. All input control voltages are specified with $t_R = t_F = 2.5\text{ ns}$ (10% to 90% of 3 V) and timed from a voltage level of 1.5 V. Switching characteristics are measured using both $V_{DD} = 3\text{ V}$ and $V_{DD} = 5\text{ V}$.

¹³ The propagation delay depends on the values of V_{DD} , R_L , and C_L (see the Operation section).

TIMING DIAGRAMS

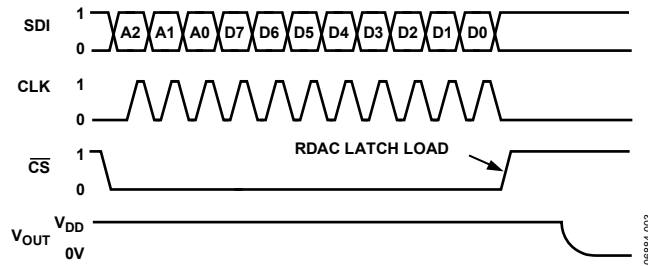


Figure 3. Timing Diagram

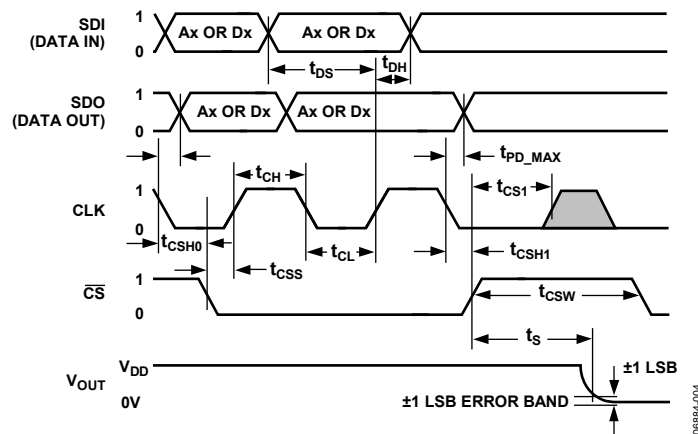


Figure 4. Detailed Timing Diagram

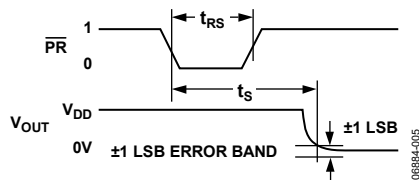


Figure 5. AD5204 Preset Timing Diagram

ABSOLUTE MAXIMUM RATINGS

$T_A = 25^\circ\text{C}$, unless otherwise noted.

Table 2.

| Parameter | Rating |
|--|--|
| V_{DD} to GND | -0.3 V to +7 V |
| V_{SS} to GND | 0 V to -7 V |
| V_{DD} to V_{SS} | 7 V |
| V_A, V_B, V_W to GND | V_{SS}, V_{DD} |
| I_A, I_B, I_W | |
| Pulsed ¹ | ± 20 mA |
| Continuous | |
| 10 k Ω End-to-End Resistance | ± 11 mA |
| 50 k Ω and 100 k Ω End-to-End Resistance | ± 2.5 mA |
| Digital Input and Output Voltage to GND | -0.3 V to ($V_{DD} + 0.3$ V) or 7 V (whichever is less) |
| Operating Temperature Range | -40°C to +85°C |
| Maximum Junction Temperature (T_J max) | 150°C |
| Storage Temperature | -65°C to +150°C |
| Reflow Soldering | |
| Peak Temperature | 260°C |
| Time at Peak Temperature | 20 sec to 40 sec |
| Package Power Dissipation | $(T_J \text{ max} - T_A)/\theta_{JA}$ |
| Thermal Resistance, θ_{JA} ² | |
| PDIP (N-24-1) | 63°C/W |
| SOIC (RW-24) | 52°C/W |
| TSSOP (RU-24) | 50°C/W |
| LFCSP (CP-32-13) | 32.5°C/W |

¹ Maximum terminal current is bounded by the maximum current handling of the switches, maximum power dissipation of the package, and maximum applied voltage across any two of the A, B, and W terminals at a given resistance.

² Thermal resistance (JEDEC 4-layer (2S2P) board). Paddle soldered to board.

Stresses at or above those listed under Absolute Maximum Ratings may cause permanent damage to the product. This is a stress rating only; functional operation of the product at these or any other conditions above those indicated in the operational section of this specification is not implied. Operation beyond the maximum operating conditions for extended periods may affect product reliability.

ESD CAUTION



ESD (electrostatic discharge) sensitive device. Charged devices and circuit boards can discharge without detection. Although this product features patented or proprietary protection circuitry, damage may occur on devices subjected to high energy ESD. Therefore, proper ESD precautions should be taken to avoid performance degradation or loss of functionality.

PIN CONFIGURATIONS AND FUNCTION DESCRIPTIONS

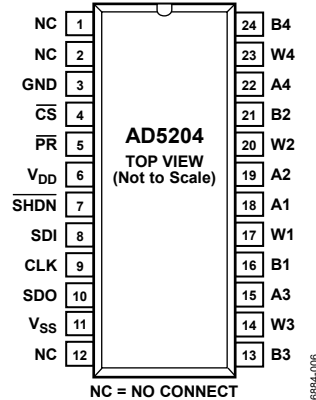
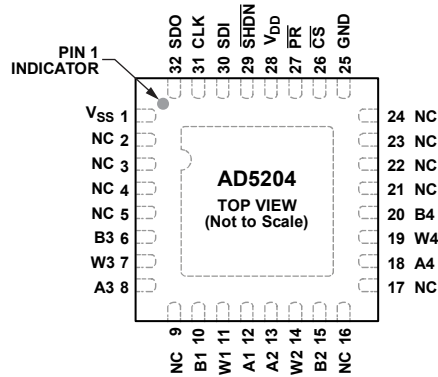


Figure 6. AD5204 SOIC/TSSOP Pin Configuration

Table 3. AD5204 SOIC/TSSOP Pin Function Descriptions

| Pin No. | Name | Description |
|----------|--------------------------|---|
| 1, 2, 12 | NC | Not Connected. |
| 3 | GND | Ground. |
| 4 | $\overline{\text{CS}}$ | Chip Select Input (Active Low). When $\overline{\text{CS}}$ returns high, data in the serial input register is decoded based on the address bits, and then it is loaded into the target RDAC latch. |
| 5 | $\overline{\text{PR}}$ | Preset to Midscale (Active Low). This pin sets the RDAC registers to 0x80. |
| 6 | V_{DD} | Positive Power Supply. This pin is specified for operation at both 3 V and 5 V. It is the sum of $ V_{\text{DD}} + V_{\text{SS}} < 5.5 \text{ V}$. |
| 7 | $\overline{\text{SHDN}}$ | Terminal A Open-Circuit Shutdown (Active Low Input). This pin controls VR 1 through VR 4. |
| 8 | SDI | Serial Data Input. Data is input MSB first. |
| 9 | CLK | Serial Clock Input. This pin is positive edge triggered. |
| 10 | SDO | Serial Data Output. This pin is an open-drain transistor and requires a pull-up resistor. |
| 11 | V_{SS} | Negative Power Supply. This pin is specified for operation at both 0 V and -2.7 V . It is the sum of $ V_{\text{DD}} + V_{\text{SS}} < 5.5 \text{ V}$. |
| 13 | B3 | Terminal B RDAC 3. |
| 14 | W3 | Wiper RDAC 3. Address = 010 ₂ . |
| 15 | A3 | Terminal A RDAC 3. |
| 16 | B1 | Terminal B RDAC 1. |
| 17 | W1 | Wiper RDAC 1. Address = 000 ₂ . |
| 18 | A1 | Terminal A RDAC 1. |
| 19 | A2 | Terminal A RDAC 2. |
| 20 | W2 | Wiper RDAC 2. Address = 001 ₂ . |
| 21 | B2 | Terminal B RDAC 2. |
| 22 | A4 | Terminal A RDAC 4. |
| 23 | W4 | Wiper RDAC 4. Address = 011 ₂ . |
| 24 | B4 | Terminal B RDAC 4. |



NOTES
 1. NC = NO CONNECT.
 2. THE LFCSP PACKAGE HAS AN EXPOSED PADDLE THAT SHOULD BE CONNECTED TO GND AND THE ASSOCIATED PCB GROUND PLATE.

06884-053

Figure 7. AD5204 LFCSP Pin Configuration

Table 4. AD5204 LFCSP Pin Function Descriptions

| Pin No. | Name | Description |
|-----------------------------|-------------------|--|
| 1 | V _{SS} | Negative Power Supply. This pin is specified for operation at both 0 V and -2.7 V. It is the sum of V _{DD} + V _{SS} < 5.5 V. |
| 2 to 5, 9, 16, 17, 21 to 24 | NC | Not Connected. |
| 6 | B3 | Terminal B RDAC 3. |
| 7 | W3 | Wiper RDAC 3. Address = 010 ₂ . |
| 8 | A3 | Terminal A RDAC 3. |
| 10 | B1 | Terminal B RDAC 1. |
| 11 | W1 | Wiper RDAC 1. Address = 000 ₂ . |
| 12 | A1 | Terminal A RDAC 1. |
| 13 | A2 | Terminal A RDAC 2. |
| 14 | W2 | Wiper RDAC 2. Address = 001 ₂ . |
| 15 | B2 | Terminal B RDAC 2. |
| 18 | A4 | Terminal A RDAC 4. |
| 19 | W4 | Wiper RDAC 4. Address = 011 ₂ . |
| 20 | B4 | Terminal B RDAC 4. |
| 25 | GND | Ground. |
| 26 | \overline{CS} | Chip Select Input (Active Low). When \overline{CS} returns high, data in the serial input register is decoded based on the address bits, and then it is loaded into the target RDAC latch. |
| 27 | \overline{PR} | Preset to Midscale (Active Low). This pin sets the RDAC registers to 0x80. |
| 28 | V _{DD} | Positive Power Supply. This pin is specified for operation at both 3 V and 5 V. It is the sum of V _{DD} + V _{SS} < 5.5 V. |
| 29 | \overline{SHDN} | Terminal A Open-Circuit Shutdown (Active Low Input). This pin controls VR 1 through VR 4. |
| 30 | SDI | Serial Data Input. Data is input MSB first. |
| 31 | CLK | Serial Clock Input. This pin is positive edge triggered. |
| 32 | SDO | Serial Data Output. This pin is an open-drain transistor and requires a pull-up resistor. |

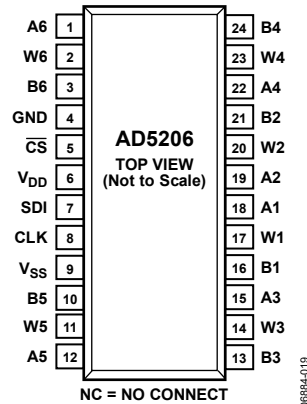


Figure 8. AD5206 SOIC/TSSOP/PDIP Pin Configuration

Table 5. AD5206 Pin Function Descriptions

| Pin No. | Name | Description |
|---------|-----------------|--|
| 1 | A6 | Terminal A RDAC 6. |
| 2 | W6 | Wiper RDAC 6. Address = 101 ₂ . |
| 3 | B6 | Terminal B RDAC 6. |
| 4 | GND | Ground. |
| 5 | \overline{CS} | Chip Select Input (Active Low). When \overline{CS} returns high, data in the serial input register is decoded based on the address bits, and then it is loaded into the target RDAC latch. |
| 6 | V _{DD} | Positive Power Supply. This pin is specified for operation at both 3 V and 5 V. It is the sum of $ V_{DD} + V_{SS} < 5.5$ V. |
| 7 | SDI | Serial Data Input. Data is input MSB first. |
| 8 | CLK | Serial Clock Input. This pin is positive edge triggered. |
| 9 | V _{SS} | Negative Power Supply. This pin is specified for operation at both 0 V and -2.7 V. It is the sum of $ V_{DD} + V_{SS} < 5.5$ V. |
| 10 | B5 | Terminal B RDAC 5. |
| 11 | W5 | Wiper RDAC 5. Address = 100 ₂ . |
| 12 | A5 | Terminal A RDAC 5. |
| 13 | B3 | Terminal B RDAC 3. |
| 14 | W3 | Wiper RDAC 3. Address = 010 ₂ . |
| 15 | A3 | Terminal A RDAC 3. |
| 16 | B1 | Terminal B RDAC 1. |
| 17 | W1 | Wiper RDAC 1. Address = 000 ₂ . |
| 18 | A1 | Terminal A RDAC 1. |
| 19 | A2 | Terminal A RDAC 2. |
| 20 | W2 | Wiper RDAC 2. Address = 001 ₂ . |
| 21 | B2 | Terminal B RDAC 2. |
| 22 | A4 | Terminal A RDAC 4. |
| 23 | W4 | Wiper RDAC 4. Address = 011 ₂ . |
| 24 | B4 | Terminal B RDAC 4. |

TYPICAL PERFORMANCE CHARACTERISTICS

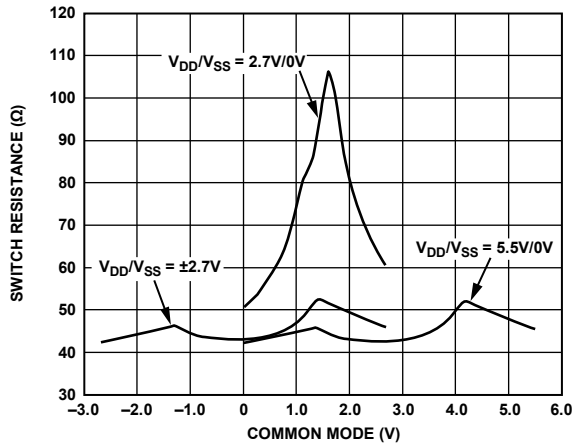


Figure 9. Incremental On Resistance of the Wiper vs. Voltage

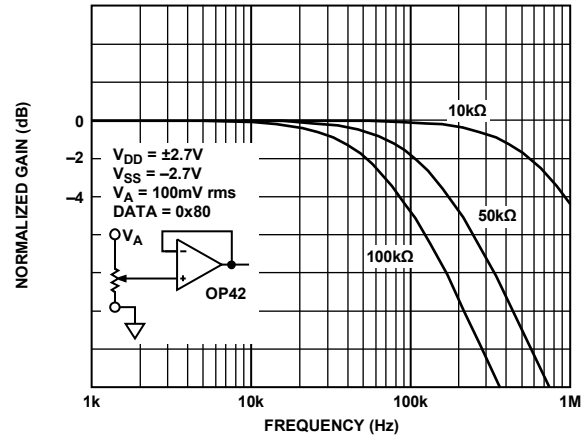


Figure 12. -3 dB Bandwidth vs. Terminal Resistance, ±2.7 V Dual-Supply Operation

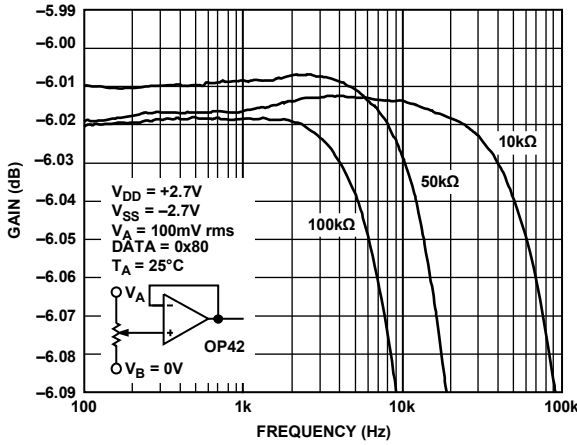


Figure 10. Gain Flatness vs. Frequency

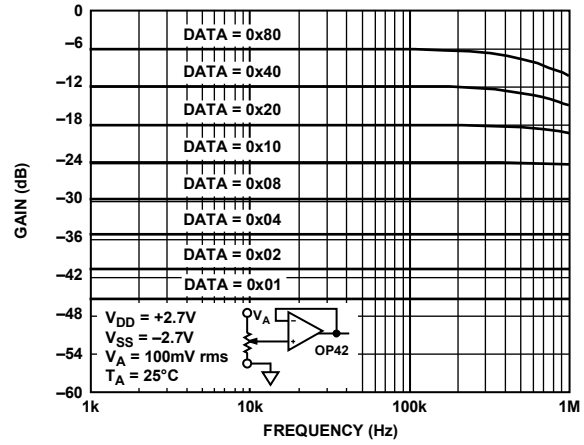


Figure 13. Bandwidth vs. Code, 10 kΩ Version

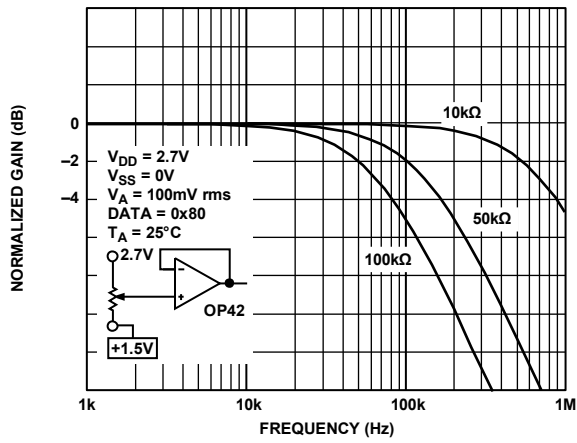


Figure 11. -3 dB Bandwidth vs. Terminal Resistance, 2.7 V Single-Supply Operation

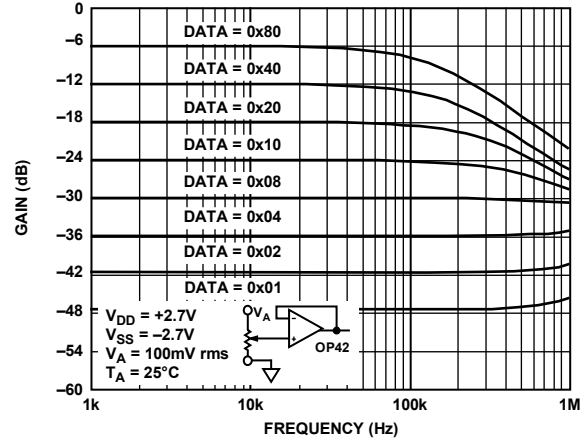


Figure 14. Bandwidth vs. Code, 50 kΩ Version

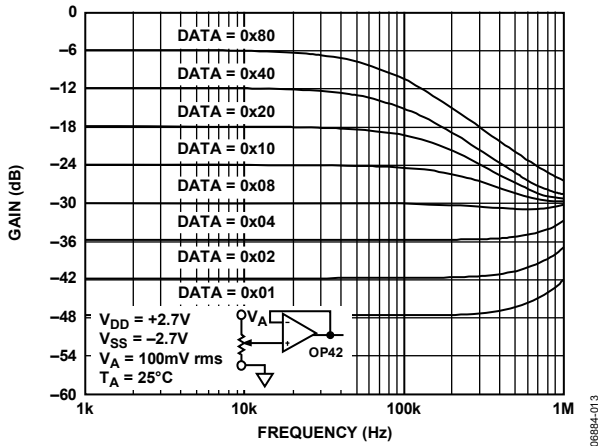


Figure 15. Bandwidth vs. Code, 100 kΩ Version

06884-013

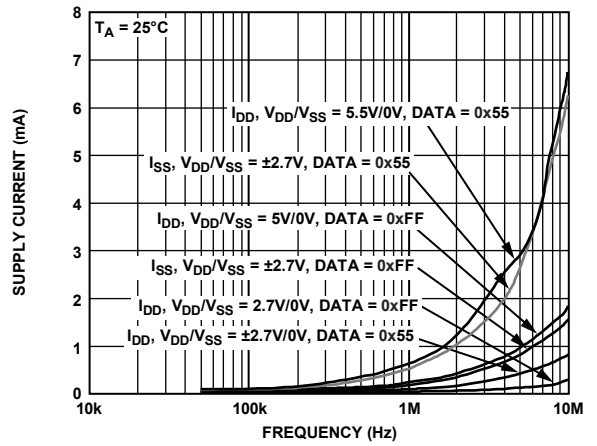


Figure 18. Supply Current vs. Clock Frequency

06884-016

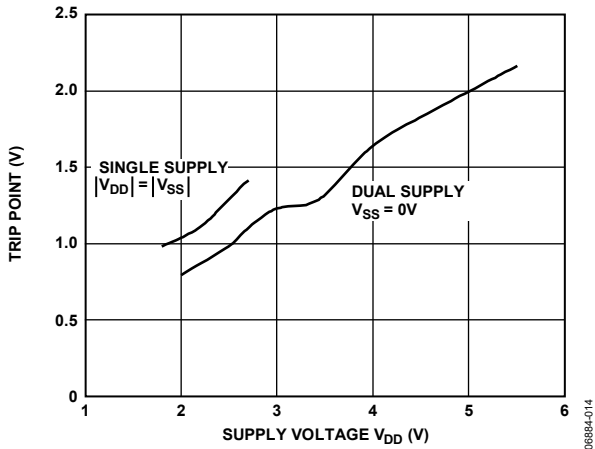


Figure 16. Digital Input Trip Point vs. Supply Voltage

06884-014

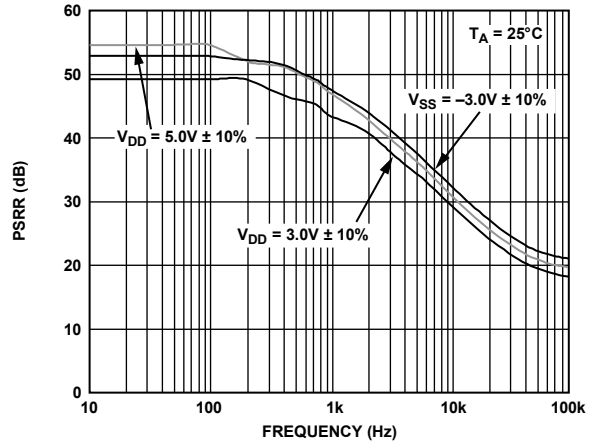


Figure 19. Power Supply Rejection vs. Frequency

06884-017

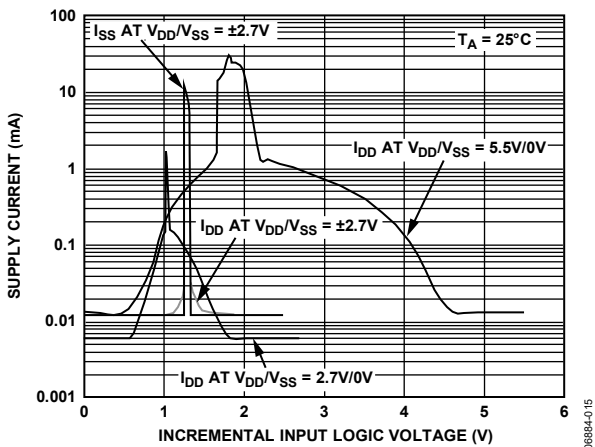


Figure 17. Supply Current vs. Input Logic Voltage

06884-015

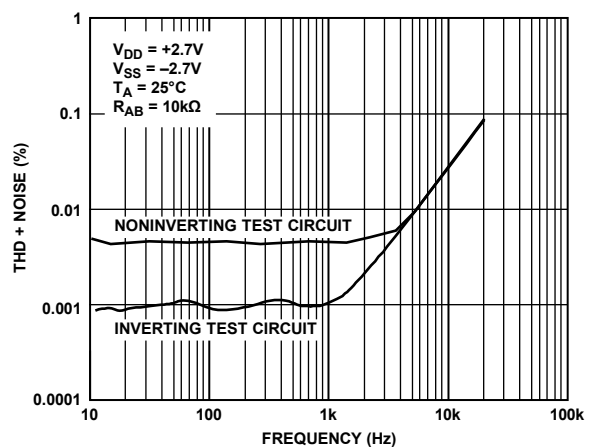


Figure 20. Total Harmonic Distortion Plus Noise vs. Frequency

06884-018

OPERATION

The AD5204 provides a 4-channel, 256-position digitally controlled VR device, and the AD5206 provides a 6-channel, 256-position digitally controlled VR device. Changing the programmed VR settings is accomplished by clocking an 11-bit serial data-word into the SDI pin. The format of this data-word is three address bits, MSB first, followed by eight data bits, MSB first. Table 6 provides the serial register data-word format.

Table 6. Serial Data-Word Format

| Address | | | Data | | | | | | | |
|----------|----|-------|-------|----|----|----|----|----|----|-------|
| B10 | B9 | B8 | B7 | B6 | B5 | B4 | B3 | B2 | B1 | B0 |
| A2 | A1 | A0 | D7 | D6 | D5 | D4 | D3 | D2 | D1 | D0 |
| MSB | | LSB | MSB | | | | | | | LSB |
| 2^{10} | | 2^8 | 2^7 | | | | | | | 2^0 |

See Table 10 for the AD5204/AD5206 address assignments to decode the location of the VR latch receiving the serial register data in Bit B7 through Bit B0. The VR outputs can be changed one at a time in random sequence. The AD5204 presets to midscale by asserting the \overline{PR} pin, simplifying fault condition recovery at power up. Both parts have an internal power-on preset that places the wiper in a preset midscale condition at power on. In addition, the AD5204 contains a power shutdown pin (\overline{SHDN}) that places the RDAC in a zero power consumption state, where terminals Ax are open circuited and wipers Wx are connected to terminals Bx, resulting in only

leakage currents being consumed in the VR structure. In shutdown mode, the VR latch settings are maintained so that the VR settings return to their previous resistance values when the device is returned to operational mode from power shutdown.

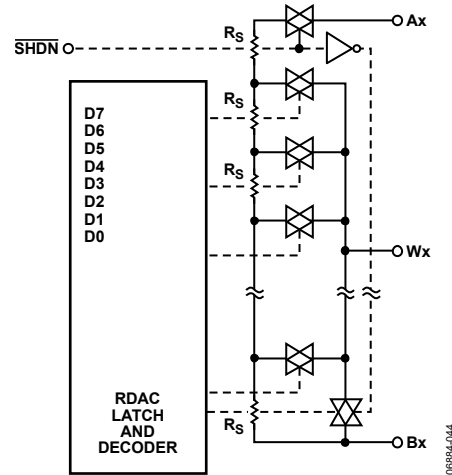


Figure 21. AD5204/AD5206 Equivalent RDAC Circuit

PROGRAMMING THE VARIABLE RESISTOR

RHEOSTAT OPERATION

The nominal resistance of the RDAC between Terminal A and Terminal B is available with values of 10 k Ω , 50 k Ω , and 100 k Ω . The last digits of the part number determine the nominal resistance value; for example, 10 k Ω = 10 and 100 k Ω = 100. The nominal resistance (R_{AB}) of the VR has 256 contact points accessed by the wiper terminal, plus Terminal B contact. The 8-bit data-word in the RDAC latch is decoded to select one of the 256 possible settings. The first connection of the wiper starts at Terminal B for the 0x00 data. This Terminal B connection has a wiper contact resistance of 45 Ω . The second connection (for a 10 k Ω part) is the first tap point, located at 84 Ω [= R_{AB} (nominal resistance)/256 + R_W = 84 Ω + 45 Ω] for the 0x01 data. The third connection is the next tap point, representing 78 + 45 = 123 Ω for the 0x02 data. Each LSB data value increase moves the wiper up the resistor ladder until the last tap point is reached at 10,006 Ω . The wiper does not directly connect to Terminal A. See Figure 21 for a simplified diagram of the equivalent RDAC circuit.

The general transfer equation determining the digitally programmed output resistance between the W_x and B_x terminals is

$$R_{WB}(Dx) = (Dx)/256 \times R_{AB} + R_W \quad (1)$$

where Dx is the data contained in the 8-bit RDACx latch, and R_{AB} is the nominal end-to-end resistance.

For example, when $V_B = 0$ V and Terminal A is open circuited, the output resistance values are set as outlined in Table 7 for the RDAC latch codes (applies to the 10 k Ω potentiometer).

Table 7. Output Resistance Values for the RDAC Latch Codes— $V_B = 0$ V and Terminal A = Open Circuited

| D (Dec) | R_{WB} (Ω) | Output State |
|---------|-----------------------|---|
| 255 | 10006 | Full scale |
| 128 | 5045 | Midscale ($\overline{PR} = 0$ condition) |
| 1 | 84 | 1 LSB |
| 0 | 45 | Zero scale (wiper contact resistance) |

In the zero-scale condition, a finite total wiper resistance of 45 Ω is present. Regardless of which setting the part is operating in, care should be taken to limit the current between Terminal A to Terminal B, Wiper W to Terminal A, and Wiper W to Terminal B, to the maximum continuous current of ± 5.65 mA (10 k Ω) or ± 1.35 mA (50 k Ω and 100 k Ω) or pulse current of ± 20 mA. Otherwise, degradation or possible destruction of the internal switch contact, can occur.

Like the mechanical potentiometer that the RDAC replaces, the RDAC is completely symmetrical. The resistance between Wiper W and Terminal A produces a digitally controlled resistance, R_{WA} . When these terminals are used, Terminal B should be tied to the wiper. Setting the resistance value for R_{WA} starts at a maximum value of resistance and decreases as the data loaded to the latch is increased in value. The general transfer equation for this operation is

$$R_{WA}(Dx) = (256 - Dx)/256 \times R_{AB} + R_W \quad (2)$$

where Dx is the data contained in the 8-bit RDACx latch, and R_{AB} is the nominal end-to-end resistance.

For example, when $V_A = 0$ V and Terminal B is tied to Wiper W, the output resistance values outlined in Table 8 are set for the RDAC latch codes.

Table 8. Output Resistance Values for the RDAC Latch Codes— $V_A = 0$ V and Terminal B Tied to Wiper W

| D (DEC) | R_{WA} (Ω) | Output State |
|---------|-----------------------|---|
| 255 | 84 | Full scale |
| 128 | 5045 | Midscale ($\overline{PR} = 0$ condition) |
| 1 | 10006 | 1 LSB |
| 0 | 10045 | Zero scale |

The typical distribution of R_{AB} from channel to channel matches to within $\pm 1\%$. However, device-to-device matching is process lot dependent, having a $\pm 30\%$ variation. The change in R_{AB} in terms of temperature has a 700 ppm/ $^{\circ}\text{C}$ temperature coefficient.

PROGRAMMING THE POTENTIOMETER DIVIDER

VOLTAGE OUTPUT OPERATION

The digital potentiometer easily generates an output voltage proportional to the input voltage applied to a given terminal. For example, connecting Terminal A to 5 V and Terminal B to ground produces an output voltage at the wiper that can be any value from 0 V up to 1 LSB less than +5 V. Each LSB of voltage is equal to the voltage applied across Terminal A and Terminal B divided by the 256-position resolution of the potentiometer divider. The general equation defining the output voltage with respect to ground for any given input voltage applied to Terminal A and Terminal B is

$$V_W(Dx) = Dx/256 \times V_{AB} + V_B \tag{3}$$

Operation of the digital potentiometer in the divider mode results in more accurate operation over temperature. In this mode, the output voltage is dependent on the ratio of the internal resistors, not the absolute value; therefore, the drift improves to 15 ppm/°C.

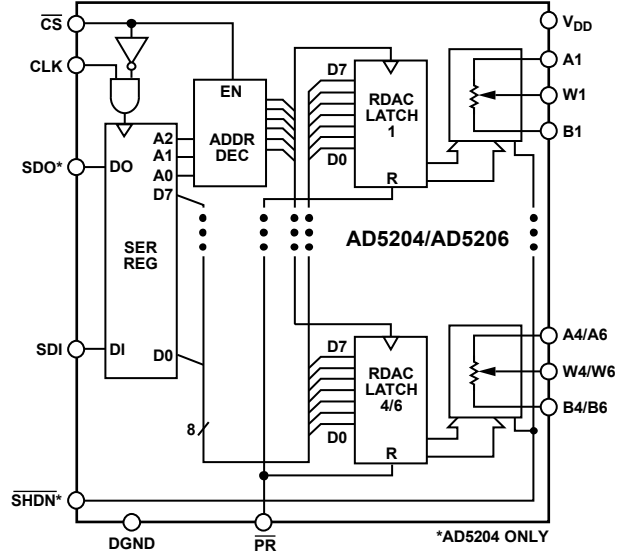


Figure 22. Block Diagram

06884-047

DIGITAL INTERFACING

The AD5204/AD5206 each contain a standard 3-wire serial input control interface. The three inputs are clock (CLK), chip select input (\overline{CS}), and serial data input (SDI). The positive-edge-sensitive CLK input requires clean transitions to avoid clocking incorrect data into the serial input register. Standard logic families work well. If mechanical switches are used for product evaluation, they should be debounced by a flip-flop or by other suitable means. Figure 22 shows more detail of the internal digital circuitry. When \overline{CS} is taken active low, the clock loads data into the serial register on each positive clock edge (see Table 9). When using a positive (V_{DD}) and negative (V_{SS}) supply voltage, the logic levels are still referenced to digital ground (GND).

The serial data output (SDO) pin contains an open-drain n-channel FET. This output requires a pull-up resistor to transfer data to the SDI pin of the next package. The pull-up resistor termination voltage can be larger than the V_{DD} supply of the AD5204. For example, the AD5204 can operate at $V_{DD} = 3.3\text{ V}$, and the pull-up for the interface to the next device can be set at 5 V. This allows for daisy chaining several RDACs from a single-processor serial data line.

If a pull-up resistor is used to connect the SDI pin of the next device in the series, the clock period must be increased. Capacitive loading at the daisy-chain node (where SDO and SDI are connected) between the devices must be accounted for to successfully transfer data. When daisy chaining is used, the \overline{CS} should be kept low until all the bits of every package are clocked into their respective serial registers, ensuring that the address bits and data bits are in the proper decoding locations. This requires 22 bits of address and data complying to the data-word format outlined in Table 6 if two AD5204 4-channel RDACs are daisy-chained. During shutdown (\overline{SHDN}), the SDO output pin is forced to the off (logic high state) position to disable power dissipation in the pull-up resistor. See Figure 24 for the equivalent SDO output circuit schematic.

Table 9. Input Logic Control Truth Table¹

| CLK | \overline{CS} | PR | \overline{SHDN} | Register Activity |
|-----|-----------------|----|-------------------|--|
| L | L | H | H | No SR effect; enables SDO pin. |
| P | L | H | H | Shift one bit in from the SDI pin. The 11 th bit entered is shifted out of the SDO pin. |
| X | P | H | H | Load SR data into the RDAC latch based on A2, A1, A0 decode (Table 10). |
| X | H | H | H | No operation. |
| X | X | L | H | Sets all RDAC latches to midscale; wiper centered and SDO latch cleared. |
| X | H | P | H | Latches all RDAC latches to 0x80. |
| X | H | H | L | Open circuits all A resistor terminals, connects Wiper W to Terminal B, and turns off the SDO output transistor. |

¹ P = positive edge, X = don't care, SR = shift register.

Table 10. Address Decode Table

| A2 | A1 | A0 | Latch Decoded |
|----|----|----|--------------------|
| 0 | 0 | 0 | RDAC 1 |
| 0 | 0 | 1 | RDAC 2 |
| 0 | 1 | 0 | RDAC 3 |
| 0 | 1 | 1 | RDAC 4 |
| 1 | 0 | 0 | RDAC 5 AD5206 only |
| 1 | 0 | 1 | RDAC 6 AD5206 only |

The data setup and data hold times in the specification table determine the data valid time requirements. The last 11 bits of the data-word entered into the serial register are held when \overline{CS} returns high. When \overline{CS} goes high, the address decoder is gated, enabling one of four or six positive-edge-triggered RDAC latches (see Figure 23 for details).

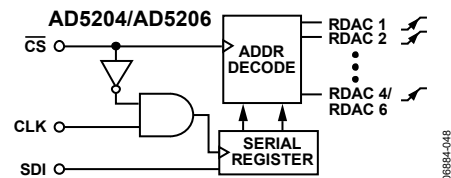


Figure 23. Equivalent Input Control Logic

The target RDAC latch is loaded with the last eight bits of the serial data-word, completing one DAC update. Four separate 8-bit data-words must be clocked in to change all four VR settings.

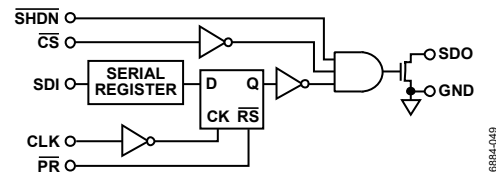


Figure 24. Detail SDO Output Schematic of the AD5204

All digital pins (\overline{CS} , SDI, SDO, \overline{PR} , \overline{SHDN} , and CLK) are protected with a series input resistor and a parallel Zener ESD structure (see Figure 25).

TEST CIRCUITS

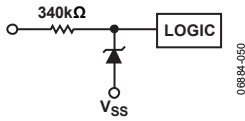


Figure 25. ESD Protection of Digital Pins

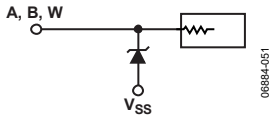


Figure 26. ESD Protection of Resistor Terminals

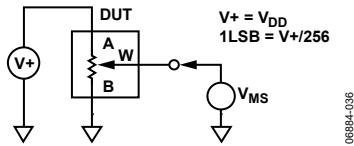


Figure 27. Potentiometer Divider Nonlinearity Error Test Circuit (INL, DNL)

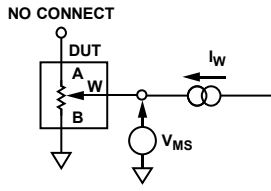


Figure 28. Resistor Position Nonlinearity Error (Rheostat Operation; R-INL, R-DNL)

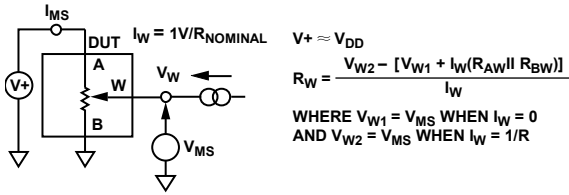


Figure 29. Wiper Resistance Test Circuit

$$V_+ \approx V_{DD}$$

$$I_W = 1/R_{NOMINAL}$$

$$R_W = \frac{V_{W2} - [V_{W1} + I_W(R_{AW} || R_{BW})]}{I_W}$$

WHERE $V_{W1} = V_{MS}$ WHEN $I_W = 0$
AND $V_{W2} = V_{MS}$ WHEN $I_W = 1/R$

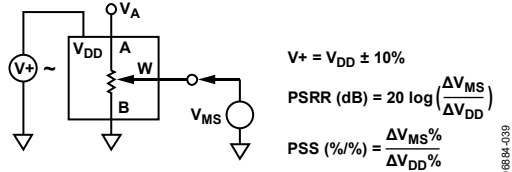


Figure 30. Power Supply Sensitivity Test Circuit (PSS, PSRR)

$$V_+ = V_{DD} \pm 10\%$$

$$PSRR (dB) = 20 \log \left(\frac{\Delta V_{MS}}{\Delta V_{DD}} \right)$$

$$PSS (\%/%) = \frac{\Delta V_{MS} \%}{\Delta V_{DD} \%}$$

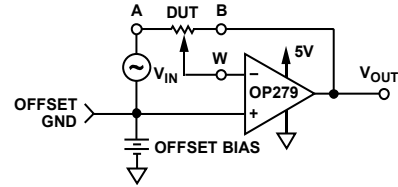


Figure 31. Inverting Programmable Gain Test Circuit

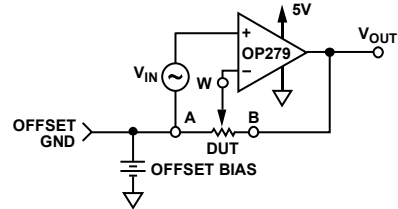


Figure 32. Noninverting Programmable Gain Test Circuit

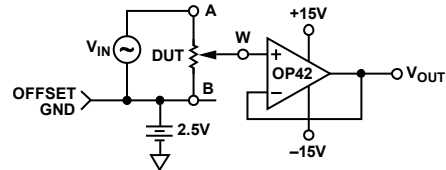


Figure 33. Gain vs. Frequency Test Circuit

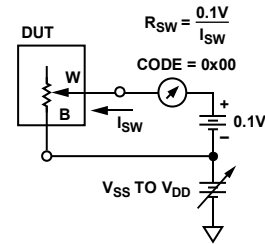
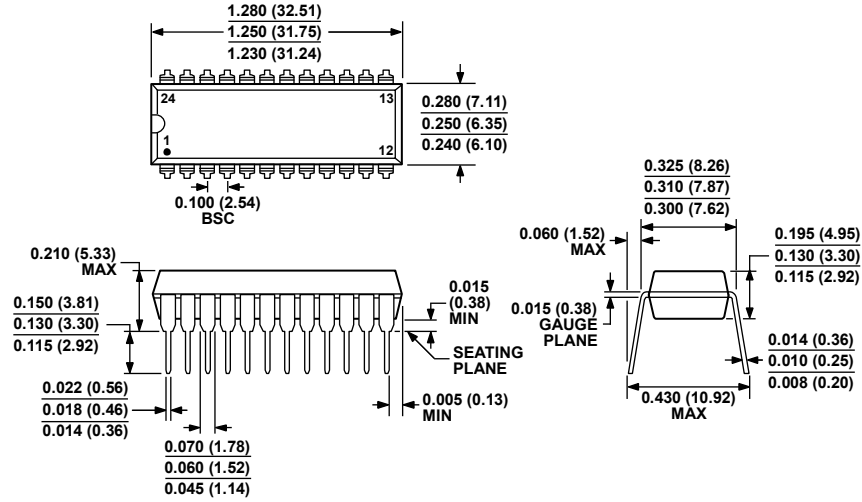


Figure 34. Incremental On-Resistance Test Circuit

OUTLINE DIMENSIONS

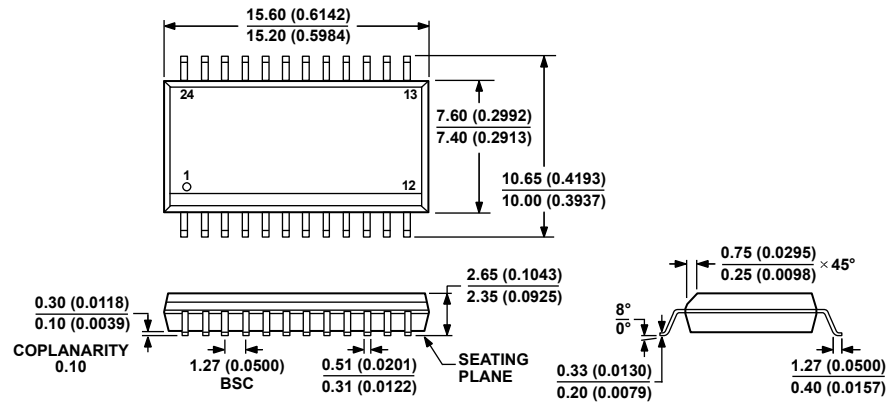


COMPLIANT TO JEDEC STANDARDS MS-001
 CONTROLLING DIMENSIONS ARE IN INCHES; MILLIMETER DIMENSIONS (IN PARENTHESES) ARE ROUNDED-OFF INCH EQUIVALENTS FOR REFERENCE ONLY AND ARE NOT APPROPRIATE FOR USE IN DESIGN. CORNER LEADS MAY BE CONFIGURED AS WHOLE OR HALF LEADS.

Figure 35. 24-Lead Plastic Dual In-Line Package [PDIP] Narrow Body (N-24-1)

Dimensions shown in inches and (millimeters)

071006-A

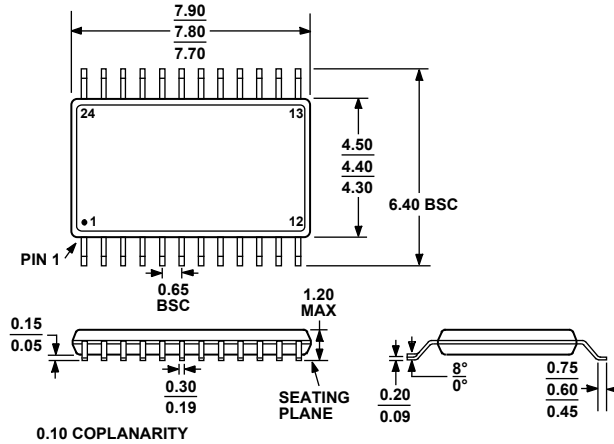


COMPLIANT TO JEDEC STANDARDS MS-013-AD
 CONTROLLING DIMENSIONS ARE IN MILLIMETERS; INCH DIMENSIONS (IN PARENTHESES) ARE ROUNDED-OFF MILLIMETER EQUIVALENTS FOR REFERENCE ONLY AND ARE NOT APPROPRIATE FOR USE IN DESIGN.

Figure 36. 24-Lead Standard Small Outline Package [SOIC_W] Wide Body (RW-24)

Dimensions shown in millimeters and (inches)

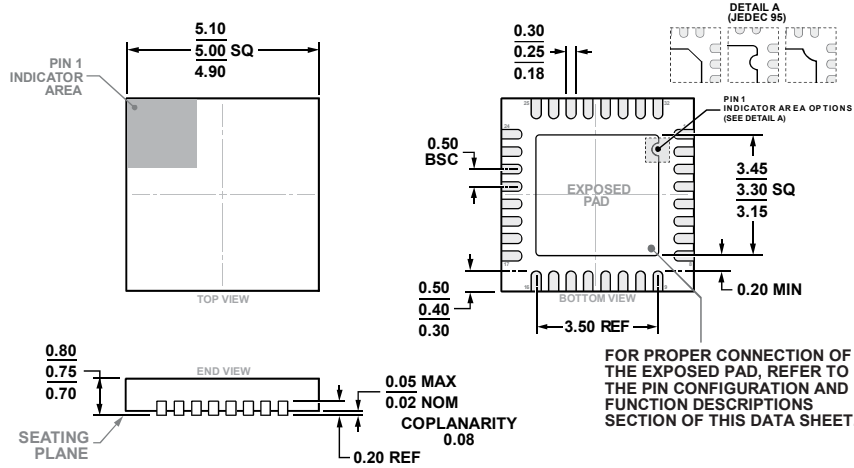
12-09-2-010-A



COMPLIANT TO JEDEC STANDARDS MO-153-AD

Figure 37. 24-Lead Thin Shrink Small Outline Package [TSSOP] (RU-24)

Dimensions shown in millimeters



COMPLIANT TO JEDEC STANDARDS MO-220-WHHD.

Figure 38. 32-Lead Lead Frame Chip Scale Package [LFCSP] 5 mm x 5 mm Body and 0.75 mm Package Height (CP-32-13)

Dimensions shown in millimeters

ORDERING GUIDE

| Model ^{1,2} | kΩ | Temperature Range | Package Description | Package Option |
|----------------------|-----|-------------------|---|----------------|
| AD5204BR10 | 10 | -40°C to +85°C | 24-Lead Standard Small Outline Package [SOIC_W] | RW-24 |
| AD5204BRZ10 | 10 | -40°C to +85°C | 24-Lead Standard Small Outline Package [SOIC_W] | RW-24 |
| AD5204BRZ10-REEL | 10 | -40°C to +85°C | 24-Lead Standard Small Outline Package [SOIC_W] | RW-24 |
| AD5204BRUZ10 | 10 | -40°C to +85°C | 24-Lead Thin Shrink Small Outline Package [TSSOP] | RU-24 |
| AD5204BRUZ10-REEL7 | 10 | -40°C to +85°C | 24-Lead Thin Shrink Small Outline Package [TSSOP] | RU-24 |
| AD5204BCPZ10-REEL | 10 | -40°C to +85°C | 32-Lead Frame Chip Scale Package [LFCSP] | CP-32-13 |
| AD5204BCPZ10-REEL7 | 10 | -40°C to +85°C | 32-Lead Frame Chip Scale Package [LFCSP] | CP-32-13 |
| AD5204BRZ50-REEL | 50 | -40°C to +85°C | 24-Lead Standard Small Outline Package [SOIC_W] | RW-24 |
| AD5204BRUZ50 | 50 | -40°C to +85°C | 24-Lead Thin Shrink Small Outline Package [TSSOP] | RU-24 |
| AD5204BRUZ50-REEL7 | 50 | -40°C to +85°C | 24-Lead Thin Shrink Small Outline Package [TSSOP] | RU-24 |
| AD5204BRZ100 | 100 | -40°C to +85°C | 24-Lead Standard Small Outline Package [SOIC_W] | RW-24 |
| AD5204BRUZ100 | 100 | -40°C to +85°C | 24-Lead Thin Shrink Small Outline Package [TSSOP] | RU-24 |
| AD5204BRUZ100-R7 | 100 | -40°C to +85°C | 24-Lead Thin Shrink Small Outline Package [TSSOP] | RU-24 |

| Model ^{1,2} | kΩ | Temperature Range | Package Description | Package Option |
|----------------------|-----|-------------------|---|----------------|
| AD5206BN10 | 10 | −40°C to +85°C | 24-Lead Plastic Dual In-Line Package [PDIP] | N-24-1 |
| AD5206BRZ10 | 10 | −40°C to +85°C | 24-Lead Standard Small Outline Package [SOIC_W] | RW-24 |
| AD5206BRZ10-REEL | 10 | −40°C to +85°C | 24-Lead Standard Small Outline Package [SOIC_W] | RW-24 |
| AD5206BRU10 | 10 | −40°C to +85°C | 24-Lead Thin Shrink Small Outline Package [TSSOP] | RU-24 |
| AD5206BRU10-REEL7 | 10 | −40°C to +85°C | 24-Lead Thin Shrink Small Outline Package [TSSOP] | RU-24 |
| AD5206BRUZ10 | 10 | −40°C to +85°C | 24-Lead Thin Shrink Small Outline Package [TSSOP] | RU-24 |
| AD5206BRUZ10-RL7 | 10 | −40°C to +85°C | 24-Lead Thin Shrink Small Outline Package [TSSOP] | RU-24 |
| AD5206BN50 | 50 | −40°C to +85°C | 24-Lead Plastic Dual In-Line Package [PDIP] | N-24-1 |
| AD5206BR50 | 50 | −40°C to +85°C | 24-Lead Standard Small Outline Package [SOIC_W] | RW-24 |
| AD5206BRZ50 | 50 | −40°C to +85°C | 24-Lead Standard Small Outline Package [SOIC_W] | RW-24 |
| AD5206BRUZ50 | 50 | −40°C to +85°C | 24-Lead Thin Shrink Small Outline Package [TSSOP] | RU-24 |
| AD5206BRUZ50-REEL7 | 50 | −40°C to +85°C | 24-Lead Thin Shrink Small Outline Package [TSSOP] | RU-24 |
| AD5206BN100 | 100 | −40°C to +85°C | 24-Lead Plastic Dual In-Line Package [PDIP] | N-24-1 |
| AD5206BRZ100 | 100 | −40°C to +85°C | 24-Lead Standard Small Outline Package [SOIC_W] | RW-24 |
| AD5206BRUZ100-RL7 | 100 | −40°C to +85°C | 24-Lead Thin Shrink Small Outline Package [TSSOP] | RU-24 |
| EVAL-AD5204SDZ | | | Evaluation Board | |

¹ The AD5204/AD5206 each contain 5,925 transistors. Die size is 92 mil × 114 mil, or 10,488 sq. mil.

² Z = RoHS Compliant Part.

NOTES

Mouser Electronics

Authorized Distributor

Click to View Pricing, Inventory, Delivery & Lifecycle Information:

[Analog Devices Inc.:](#)

[AD5206BN10](#) [AD5206BRZ10](#) [AD5206BN100](#) [AD5206BRUZ50](#) [AD5204BR10](#) [AD5206BN50](#) [AD5206BRUZ10](#)
[AD5204BRU10](#) [AD5206BRU100](#) [AD5206BRZ100](#) [AD5206BR50](#) [AD5206BRU10](#) [AD5206BRZ50](#) [AD5206BRU10-](#)
[REEL7](#) [AD5206BRU50-REEL7](#) [AD5206BRUZ100-RL7](#) [AD5206BRUZ10-RL7](#) [AD5206BRUZ50-REEL7](#)
[AD5206BRZ10-REEL](#) [AD5204BR10-REEL](#) [AD5204BRU50-REEL](#) [AD5206BR100-REEL](#) [AD5206BR50-REEL](#)
[AD5206BRU50-REEL](#)