



Electrical

Impedance	50 ohm		
Frequency Range	DC-18 GHz		
VSWR	1.3 max		
Input Avg Power	2W@ 25°C ambient, derating linearly to 0.2W at 100°C		
Peak Power	250W (5 micro-sec pulse width, 0.4% duty cycle)		
Direction	Bidirectional, TNC female to TNC male (other configurations available)		

Attenuation(dB)	1-10	20	30
Accuracy(dB)	±0.6	±0.8	±1.0

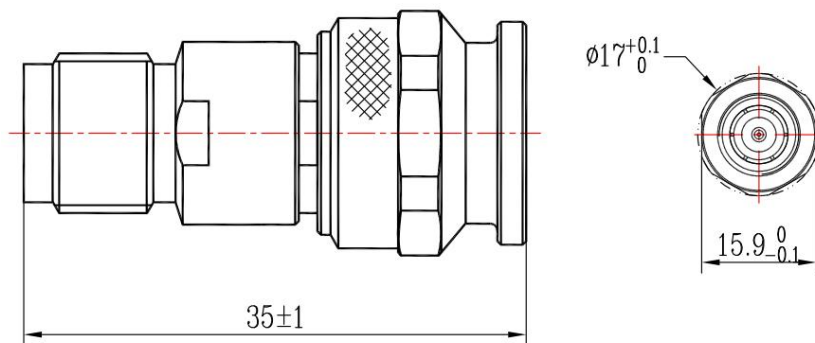
Mechanical

Connector Body	Ternary alloy plated brass
Heat Sink	N/A
Center Contact	Gold plated beryllium copper/brass
Net Weight	About 25g

Environmental

Operating Temperature	-55°C to 100°C
Storage Temperature	-55°C to 125°C
RoHS	Compliant
Temperature Coefficient	<0.0004 dB/dB/°C

Dimensions(mm)



Notes

1.Customized dB values, outlines and optimal accuracy/VSWR available.

Model Description

RFHB18XXTC2

1.XX for dB value: 06=6dB,30=30dB

2.Code for connector configuration:

A=female for two ends; B=male for two ends

C=female for one end and male for the other.