



Coaxial Fixed Attenuator

RFH03XXNC2000-D

DC-3 GHz, 40-50 dB, 2000 Watts, N, Unidirectional

Rev 3

Electrical

Impedance	50 ohm	
Frequency Range	DC-3 GHz	
VSWR	1.4 max	
Input Avg Power	2000W@ 25°C ambient, derating linearly to 200W at 100°C	
Peak Power	10kW (5 micro-sec pulse width, 10% duty cycle)	
Direction	Unidirectional, N female input, N male output (other configurations available)	

Attenuation(dB)	40	50
Accuracy(dB)	±2	±2

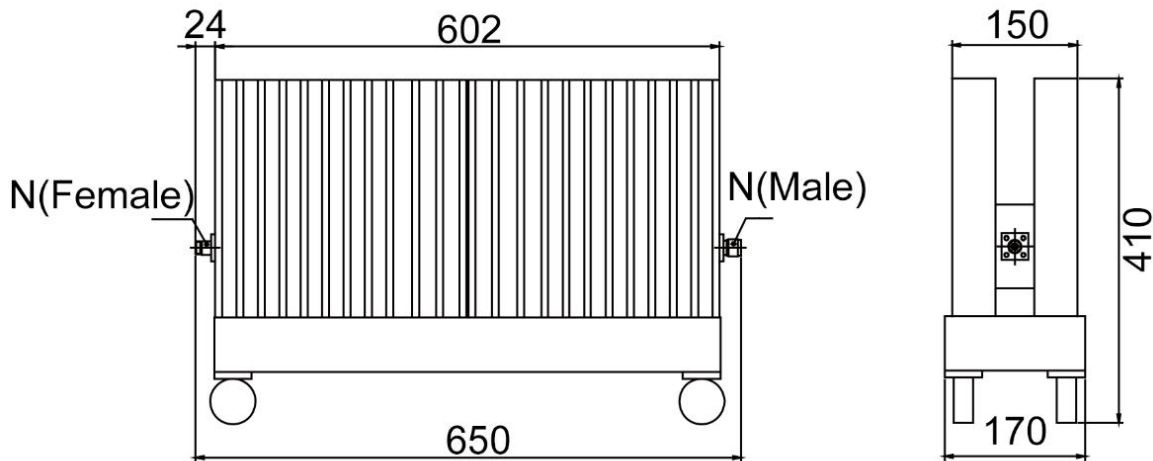
Mechanical

Connector Body	Nickel plated brass
Heat Sink	Black anodized aluminum
Center Contact	Gold plated beryllium copper/brass
Net Weight	About 34 kg

Environmental

Operating Temperature	-55°C to 100°C
Storage Temperature	-55°C to 125°C
RoHS	Compliant
Temperature Coefficient	<0.0004 dB/dB/°C

Dimensions(mm)



Notes

1. Always pay attention to the direction of attenuators.
2. To maintain best performance, recommended to use fan to keep the case temperature under 85°C.
3. Customized dB values, outlines and optimal accuracy/VSWR available.

Model Description

RFH03XXNC2000-D

1. XX for dB value: 06=6dB, 30=30dB
2. Code for connector configuration:
 A=female for two ends; B=male for two ends
 C=female for input and male for output;
 D=male for input and female for output.