



Electrical

Impedance	50 ohm
Frequency Range	DC-110 GHz
VSWR	1.6 max
Input Avg Power	1W@25°C ambient, derating linearly to 0.1W at 100°C
Peak Power	5W (5 micro-sec pulse width, 1% duty cycle)

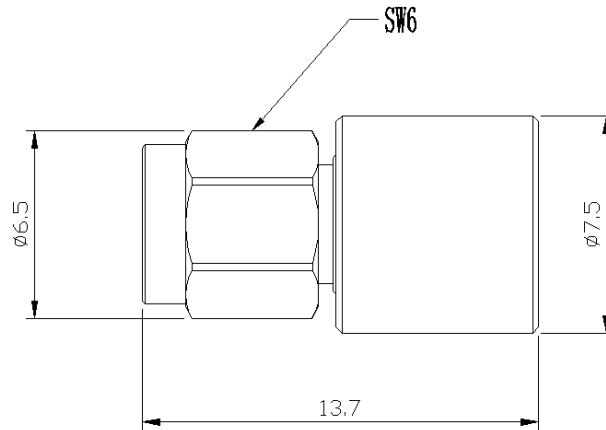
Mechanical

Connector Body	Passivated stainless steel
Center Contact	1.27um gold plated brass
Net	About 5g

Environmental

Operating Temp	-55°C to 100°C
Storage Temp	-55°C to 125°C
RoHS	Compliant

Dimensions(mm)



Typical Test Data

