

## DS90LV047A 3-V LVDS Quad CMOS Differential Line Driver

### 1 Features

- >400-Mbps (200 MHz) Switching Rates
- Flow-Through Pinout Simplifies PCB Layout
- 300-ps Typical Differential Skew
- 400-ps Maximum Differential Skew
- 1.7-ns Maximum Propagation Delay
- 3.3-V Power Supply Design
- $\pm 350$ -mV Differential Signaling
- Low Power Dissipation (13 mW at 3.3-V Static)
- Interoperable With Existing 5-V LVDS Receivers
- High impedance on LVDS Outputs on Power Down
- Conforms to TIA/EIA-644 LVDS Standard
- Industrial Operating Temperature Range ( $-40^{\circ}\text{C}$  to  $+85^{\circ}\text{C}$ )
- Available in Surface Mount SOIC and Low Profile TSSOP Package

### 2 Applications

- Multifunction Printers
- LVDS – LVCMOS Translation

### 3 Description

The DS90LV047A device is a quad CMOS flow-through differential line driver designed for applications requiring ultra-low power dissipation and high data rates. The device is designed to support data rates in excess of 400 Mbps (200 MHz) using Low Voltage Differential Signaling (LVDS) technology.

The DS90LV047A accepts low voltage TTL/CMOS input levels and translates them to low voltage (350 mV) differential output signals. In addition, the driver supports a TRI-STATE function that may be used to disable the output stage, disabling the load current, and thus dropping the device to an ultra low idle power state of 13 mW typical. The DS90LV047A has a flow-through pinout for easy PCB layout.

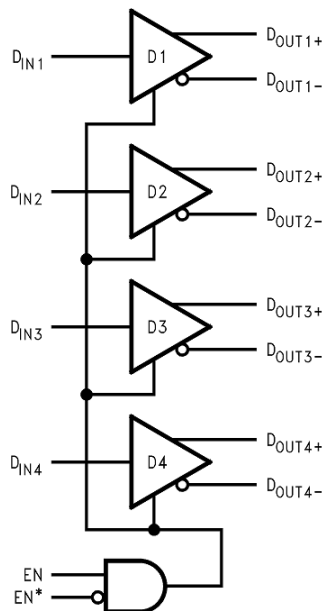
The EN and EN\* inputs are ANDed together and control the TRI-STATE outputs. The enables are common to all four drivers. The DS90LV047A and companion line receiver (DS90LV048A) provide a new alternative to high power psuedo-ECL devices for high speed point-to-point interface applications.

#### Device Information<sup>(1)</sup>

PART NUMBER	PACKAGE	BODY SIZE (NOM)
DS90LV048A	SOIC (16)	9.90 mm x 3.91 mm
	TSSOP (16)	5.00 mm x 4.40 mm

(1) For all available packages, see the orderable addendum at the end of the data sheet.

#### Functional Diagram



Copyright © 2016, Texas Instruments Incorporated



## Table of Contents

<b>1 Features</b> .....	1	8.3 Feature Description .....	12
<b>2 Applications</b> .....	1	8.4 Device Functional Modes .....	13
<b>3 Description</b> .....	1	<b>9 Application and Implementation</b> .....	14
<b>4 Revision History</b> .....	2	9.1 Application Information .....	14
<b>5 Pin Configuration and Functions</b> .....	3	9.2 Typical Application .....	14
<b>6 Specifications</b> .....	3	<b>10 Power Supply Recommendations</b> .....	16
6.1 Absolute Maximum Ratings .....	3	<b>11 Layout</b> .....	16
6.2 ESD Ratings .....	4	11.1 Layout Guidelines .....	16
6.3 Recommended Operating Conditions .....	4	11.2 Layout Example .....	17
6.4 Thermal Information .....	4	<b>12 Device and Documentation Support</b> .....	18
6.5 Electrical Characteristics .....	4	12.1 Documentation Support .....	18
6.6 Switching Characteristics .....	5	12.2 Receiving Notification of Documentation Updates .....	18
6.7 Typical Characteristics .....	6	12.3 Community Resources .....	18
<b>7 Parameter Measurement Information</b> .....	8	12.4 Trademarks .....	18
<b>8 Detailed Description</b> .....	11	12.5 Electrostatic Discharge Caution .....	18
8.1 Overview .....	11	12.6 Glossary .....	18
8.2 Functional Block Diagram .....	12	<b>13 Mechanical, Packaging, and Orderable Information</b> .....	18

## 4 Revision History

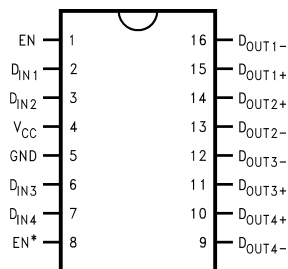
NOTE: Page numbers for previous revisions may differ from page numbers in the current version.

Changes from Revision C (April 2013) to Revision D	Page
<ul style="list-style-type: none"> <li>Added <i>ESD Ratings</i> table, <i>Thermal Information</i> table, <i>Feature Description</i> section, <i>Device Functional Modes</i>, <i>Application and Implementation</i> section, <i>Power Supply Recommendations</i> section, <i>Layout</i> section, <i>Device and Documentation Support</i> section, and <i>Mechanical, Packaging, and Orderable Information</i> section .....</li> </ul>	1

Changes from Revision B (April 2013) to Revision C	Page
<ul style="list-style-type: none"> <li>Changed layout of National Semiconductor Data Sheet to TI format .....</li> </ul>	15

## 5 Pin Configuration and Functions

**D or PW Package  
16-Pin SOIC or TSSOP  
Top View**



**Pin Functions**

PIN		I/O	DESCRIPTION
NAME	NO.		
D <sub>IN</sub>	2, 3, 6, 7	I	Driver input pin, TTL/CMOS compatible
D <sub>OUT+</sub>	10, 11, 14, 15	O	Non-inverting driver output pin, LVDS levels
D <sub>OUT-</sub>	9, 12, 13, 16	O	Inverting driver output pin, LVDS levels
EN	1	I	Driver enable pin: When EN is low, the driver is disabled. When EN is high and EN* is low or open, the driver is enabled. If both EN and EN* are open circuit, then the driver is disabled.
EN*	8	I	Driver enable pin: When EN* is high, the driver is disabled. When EN* is low or open and EN is high, the driver is enabled. If both EN and EN* are open circuit, then the driver is disabled.
GND	5	—	Ground pin
V <sub>CC</sub>	4	—	Power supply pin, +3.3 V ± 0.3 V

## 6 Specifications

### 6.1 Absolute Maximum Ratings

See <sup>(1)</sup>

		MIN	MAX	UNIT
Supply voltage (V <sub>CC</sub> )		-0.3	4	V
Input voltage (D <sub>IN</sub> )		-0.3	V <sub>CC</sub> + 0.3	V
Enable input voltage (EN, EN*)		-0.3	V <sub>CC</sub> + 0.3	V
Output voltage (D <sub>OUT+</sub> , D <sub>OUT-</sub> )		-0.3	3.9	V
Short-circuit duration	(D <sub>OUT+</sub> , D <sub>OUT-</sub> )	Continuous		
Maximum package power dissipation at +25°C	D0016A package	1088		mW
	PW0016A package	866		
	Derate D0016A package	above +25°C	8.5	mW/°C
	Derate PW0016A package	above +25°C	6.9	
Lead temperature	Soldering (4 s)	260		°C
Maximum junction temperature		150		°C
Storage temperature, T <sub>stg</sub>		-65	150	°C

- (1) Stresses beyond those listed under *Absolute Maximum Ratings* may cause permanent damage to the device. These are stress ratings only, which do not imply functional operation of the device at these or any other conditions beyond those indicated under *Recommended Operating Conditions*. Exposure to absolute-maximum-rated conditions for extended periods may affect device reliability.

## DS90LV047A

SNLS044D –MAY 2000–REVISED JULY 2016

www.ti.com

### 6.2 ESD Ratings

		VALUE	UNIT
$V_{(ESD)}$ Electrostatic discharge <sup>(1)</sup>	Human-body model (HBM)	±10000	V
	Machine Model	±1200	

- (1) ESD Ratings:  
 HBM (1.5 k $\Omega$ , 100 pF)  
 EIAJ (0  $\Omega$ , 200 pF)

### 6.3 Recommended Operating Conditions

	MIN	NOM	MAX	UNIT
Supply voltage, $V_{CC}$	3	3.3	3.6	V
Operating free air temperature, $T_A$	-40	25	85	°C

### 6.4 Thermal Information

THERMAL METRIC <sup>(1)</sup>		DS90LV047A	UNIT
		PW (TSSOP)	
		16 PINS	
$R_{\theta JA}$	Junction-to-ambient thermal resistance	114	°C/W
$R_{\theta JC(top)}$	Junction-to-case (top) thermal resistance	51	°C/W
$R_{\theta JB}$	Junction-to-board thermal resistance	59	°C/W
$\psi_{JT}$	Junction-to-top characterization parameter	8	°C/W
$\psi_{JB}$	Junction-to-board characterization parameter	58	°C/W

- (1) For more information about traditional and new thermal metrics, see the [Semiconductor and IC Package Thermal Metrics](#) application report.

### 6.5 Electrical Characteristics

Over supply voltage and operating temperature ranges, unless otherwise specified<sup>(1)(2)(3)</sup>

PARAMETER	TEST CONDITIONS	PIN	MIN	TYP	MAX	UNIT
$V_{OD1}$	$R_L = 100 \Omega$ (Figure 17)	D <sub>OUT-</sub> D <sub>OUT+</sub>	250	310	450	mV
$\Delta V_{OD1}$			1	35	mV	
$V_{OS}$			1.125	1.17	1.375	V
$\Delta V_{OS}$			1	25	mV	
$V_{OH}$			1.33	1.6	V	
$V_{OL}$			0.9	1.02	V	
$V_{IH}$		D <sub>IN-</sub> EN, EN*	2		$V_{CC}$	V
$V_{IL}$			GND		0.8	V
$I_{IH}$	$V_{IN} = V_{CC}$ or 2.5 V		-10	2	+10	$\mu$ A
$I_{IL}$	$V_{IN} = GND$ or 0.4 V		-10	-2	+10	$\mu$ A
$V_{CL}$	$I_{CL} = -18$ mA		-1.5	-0.8		V

- (1) Current into device pins is defined as positive. Current out of device pins is defined as negative. All voltages are referenced to ground except:  $V_{OD1}$  and  $\Delta V_{OD1}$ .  
 (2) All typicals are given for:  $V_{CC} = 3.3$  V,  $T_A = +25^\circ$ C.  
 (3) The DS90LV047A is a current mode device and only functions within datasheet specifications when a resistive load is applied to the driver outputs typical range is (90  $\Omega$  to 110  $\Omega$ ).

## Electrical Characteristics (continued)

Over supply voltage and operating temperature ranges, unless otherwise specified<sup>(1)(2)(3)</sup>

PARAMETER		TEST CONDITIONS	PIN	MIN	TYP	MAX	UNIT	
$I_{OS}$	Output short-circuit current <sup>(4)</sup>	ENABLED, $D_{IN} = V_{CC}$ , $D_{OUT+} = 0\text{ V}$ or $D_{IN} = GND$ , $D_{OUT-} = 0\text{ V}$	D <sub>OUT-</sub> D <sub>OUT+</sub>		-4.2	-9	mA	
$I_{OSD}$	Differential output short-circuit current <sup>(4)</sup>	ENABLED, $V_{OD} = 0\text{ V}$			-4.2	-9	mA	
$I_{OFF}$	Power-off leakage	$V_{OUT} = 0\text{ V}$ or $3.6\text{ V}$ , $V_{CC} = 0\text{ V}$ or Open			-20	±1	20	µA
$I_{OZ}$	Output TRI-STATE current	$EN = 0.8\text{ V}$ and $EN^* = 2.0\text{ V}$ $V_{OUT} = 0\text{ V}$ or $V_{CC}$			-10	±1	10	µA
$I_{CC}$	No load supply current drivers enabled	$D_{IN} = V_{CC}$ or GND	V <sub>CC</sub>		4	8	mA	
$I_{CCL}$	Loaded supply current drivers enabled	$R_L = 100\ \Omega$ all channels, $D_{IN} = V_{CC}$ or GND (all inputs)			20	30	mA	
$I_{CCZ}$	No load supply current drivers disabled	$D_{IN} = V_{CC}$ or GND, $EN = GND$ , $EN^* = V_{CC}$			2.2	6	mA	

(4) Output short circuit current ( $I_{OS}$ ) is specified as magnitude only, minus sign indicates direction only.

## 6.6 Switching Characteristics

$V_{CC} = +3.3\text{ V} \pm 10\%$ ,  $T_A = -40^\circ\text{C}$  to  $+85^\circ\text{C}$ <sup>(1)(2)(3)</sup>

PARAMETER		TEST CONDITIONS	MIN	TYP	MAX	UNIT	
$t_{PHLD}$	Differential propagation delay high to low	$R_L = 100\ \Omega$ , $C_L = 15\text{ pF}$ (Figure 18 and Figure 19)	0.5	0.9	1.7	ns	
$t_{PLHD}$	Differential propagation delay low to high		0.5	1.2	1.7	ns	
$t_{SKD1}$	Differential pulse skew $ t_{PHLD} - t_{PLHD} $ <sup>(4)</sup>		0	0.3	0.4	ns	
$t_{SKD2}$	Channel-to-channel skew <sup>(5)</sup>		0	0.4	0.5	ns	
$t_{SKD3}$	Differential part-to-part skew <sup>(6)</sup>		0		1	ns	
$t_{SKD4}$	Differential part-to-part skew <sup>(7)</sup>		0		1.2	ns	
$t_{TLH}$	Rise time	$R_L = 100\ \Omega$ , $C_L = 15\text{ pF}$ (Figure 20 and Figure 21)		0.5	1.5	ns	
$t_{THL}$	Fall time			0.5	1.5	ns	
$t_{PHZ}$	Disable time high to Z				2	5	ns
$t_{PLZ}$	Disable time low to Z				2	5	ns
$t_{PZH}$	Enable time Z to high				3	7	ns
$t_{PZL}$	Enable time Z to low				3	7	ns
$f_{MAX}$	Maximum operating frequency <sup>(8)</sup>			200	250		MHz

(1) All typicals are given for:  $V_{CC} = 3.3\text{ V}$ ,  $T_A = +25^\circ\text{C}$ .

(2) Generator waveform for all tests unless otherwise specified:  $f = 1\text{ MHz}$ ,  $Z_O = 50\ \Omega$ ,  $t_r \leq 1\text{ ns}$ , and  $t_f \leq 1\text{ ns}$ .

(3)  $C_L$  includes probe and jig capacitance.

(4)  $t_{SKD1} |t_{PHLD} - t_{PLHD}|$  is the magnitude difference in differential propagation delay time between the positive going edge and the negative going edge of the same channel.

(5)  $t_{SKD2}$  is the differential channel-to-channel skew of any event on the same device.

(6)  $t_{SKD3}$ , differential part-to-part skew, is defined as the difference between the minimum and maximum specified differential propagation delays. This specification applies to devices at the same  $V_{CC}$  and within  $5^\circ\text{C}$  of each other within the operating temperature range.

(7)  $t_{SKD4}$ , part to part skew, is the differential channel-to-channel skew of any event between devices. This specification applies to devices over recommended operating temperature and voltage ranges, and across process distribution.  $t_{SKD4}$  is defined as  $|Max - Min|$  differential propagation delay.

(8)  $f_{MAX}$  generator input conditions:  $t_r = t_f < 1\text{ ns}$  (0% to 100%), 50% duty cycle, 0 V to 3 V. Output criteria: duty cycle = 45% / 55%,  $V_{OD} > 250\text{ mV}$ , all channels switching.

### 6.7 Typical Characteristics

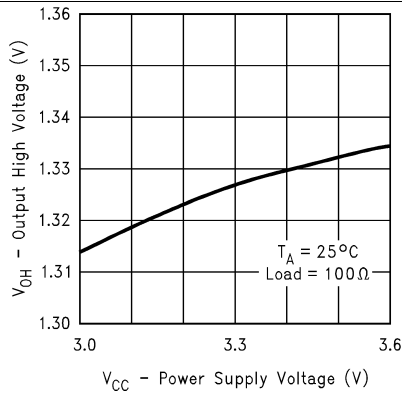


Figure 1. Output High Voltage vs Power Supply Voltage

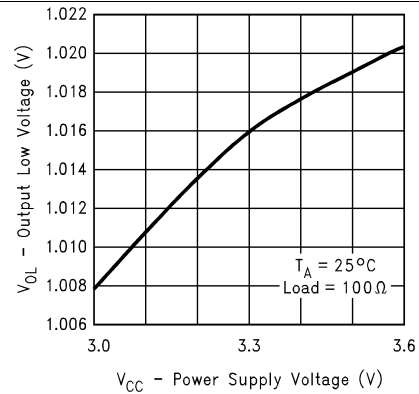


Figure 2. Output Low Voltage vs Power Supply Voltage

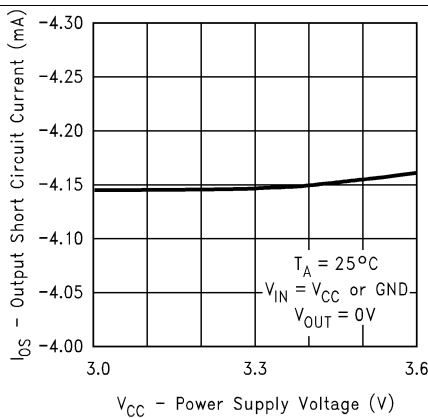


Figure 3. Output Short Circuit Current vs Power Supply Voltage

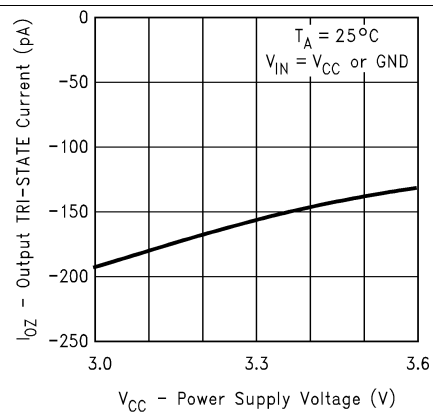


Figure 4. Output TRI-STATE Current vs Power Supply Voltage

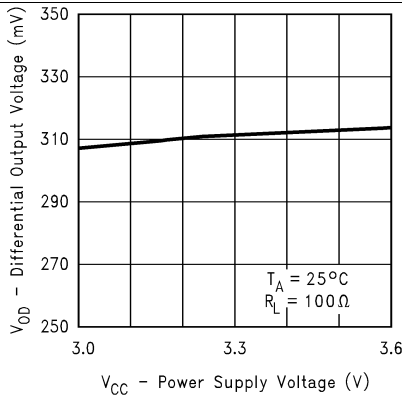


Figure 5. Differential Output Voltage vs Power Supply Voltage

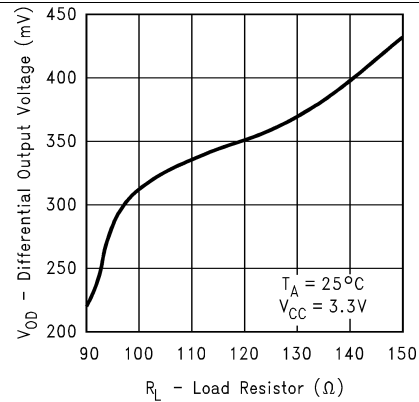


Figure 6. Differential Output Voltage vs Load Resistor

Typical Characteristics (continued)

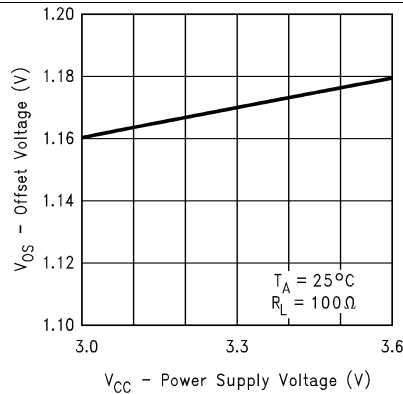


Figure 7. Offset Voltage vs Power Supply Voltage

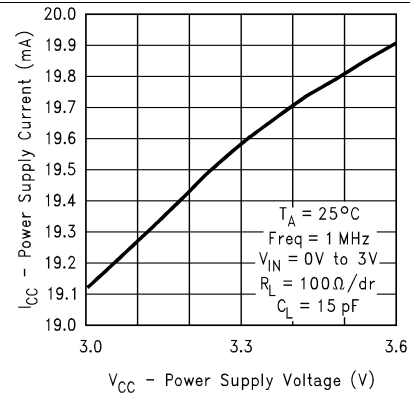


Figure 8. Power Supply Current vs Power Supply Voltage

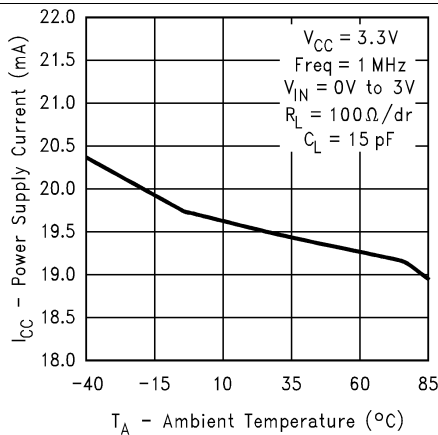


Figure 9. Power Supply Current vs Ambient Temperature

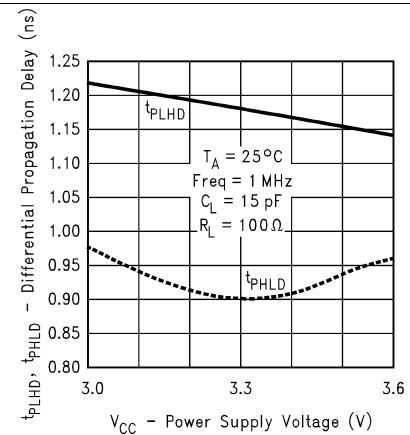


Figure 10. Differential Propagation Delay vs Power Supply Voltage

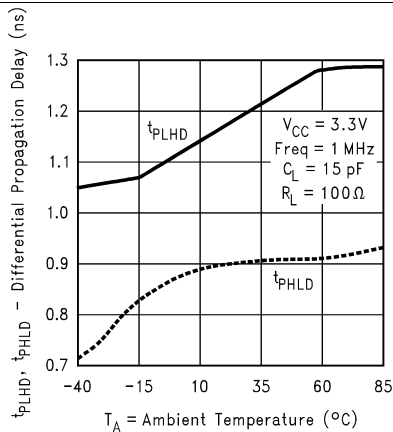


Figure 11. Differential Propagation Delay vs Ambient Temperature

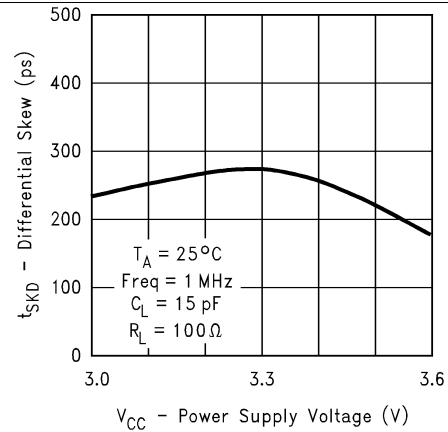
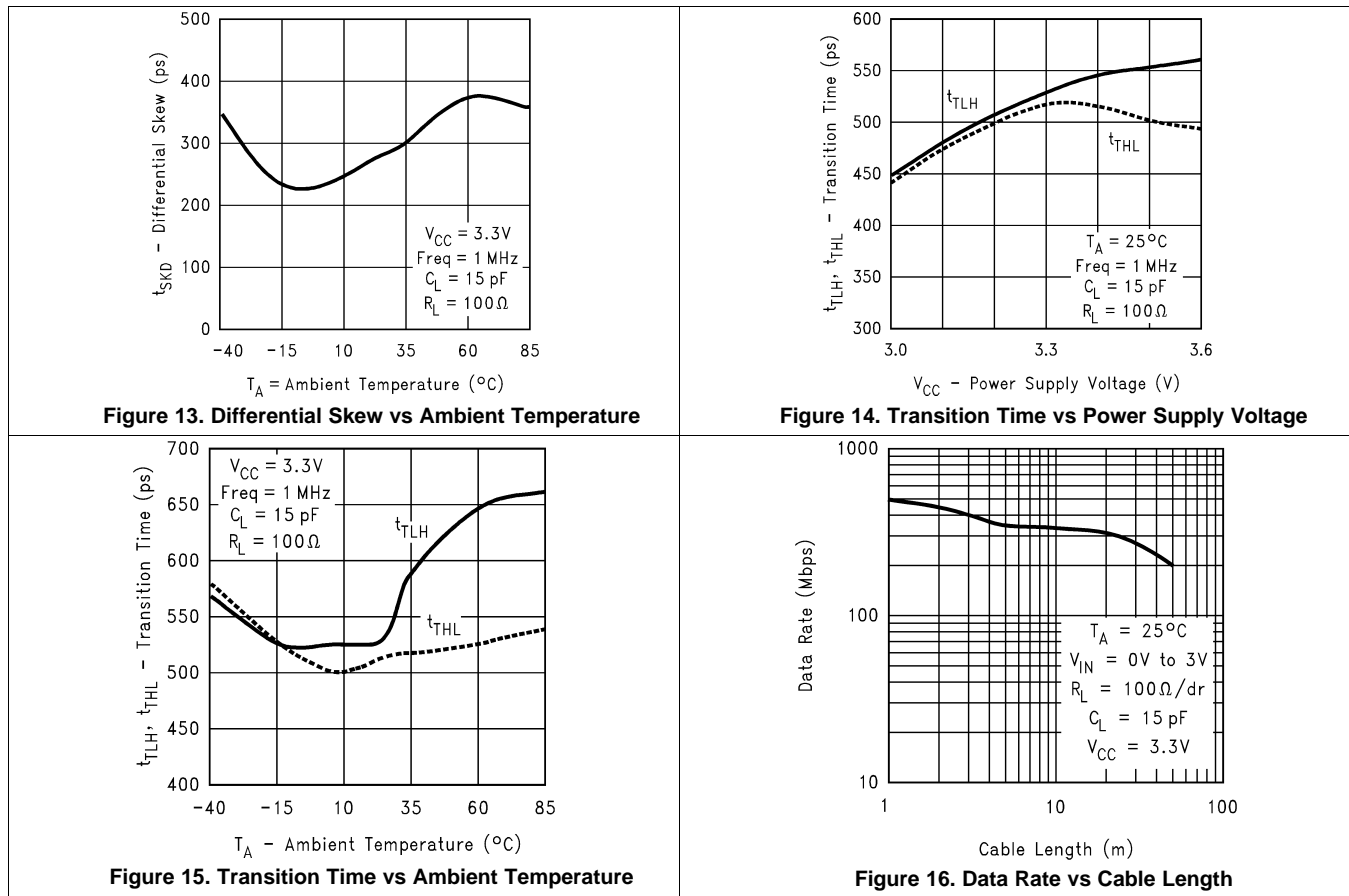


Figure 12. Differential Skew vs Power Supply Voltage

Typical Characteristics (continued)



7 Parameter Measurement Information

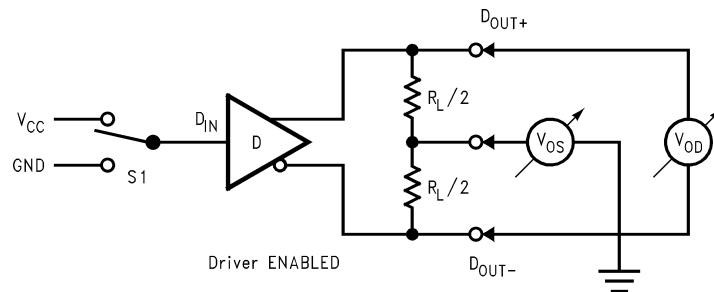


Figure 17. Driver  $V_{OD}$  and  $V_{OS}$  Test Circuit



Parameter Measurement Information (continued)

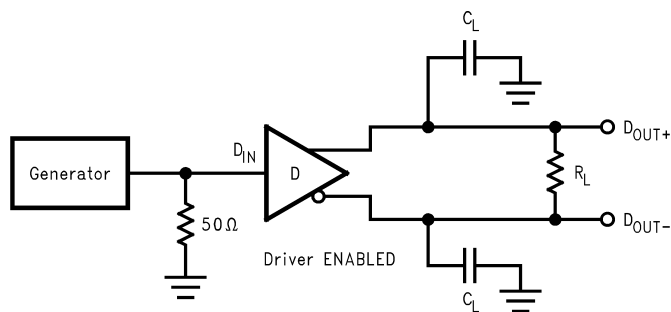


Figure 18. Driver Propagation Delay and Transition Time Test Circuit

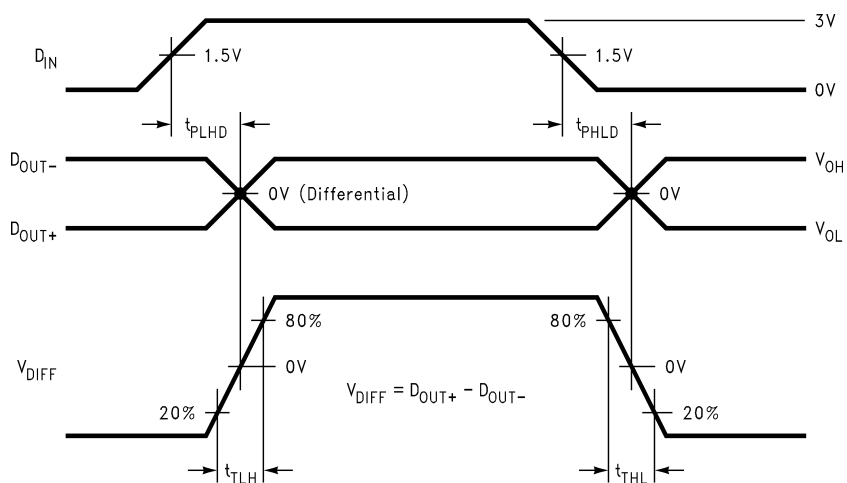


Figure 19. Driver Propagation Delay and Transition Time Waveforms

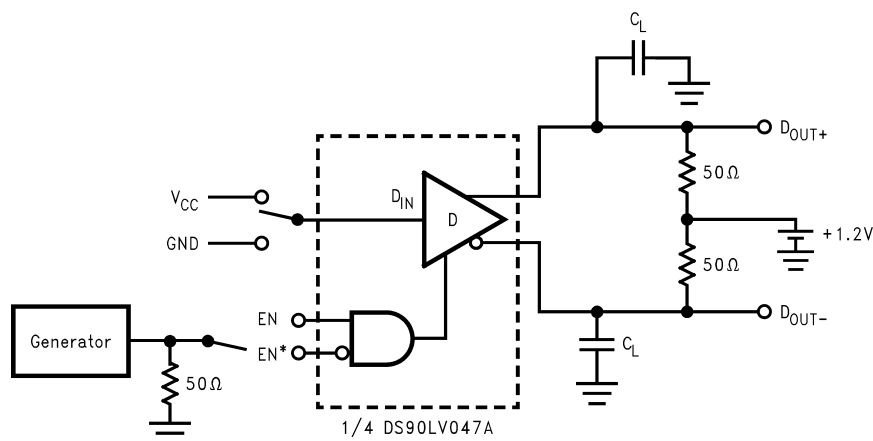
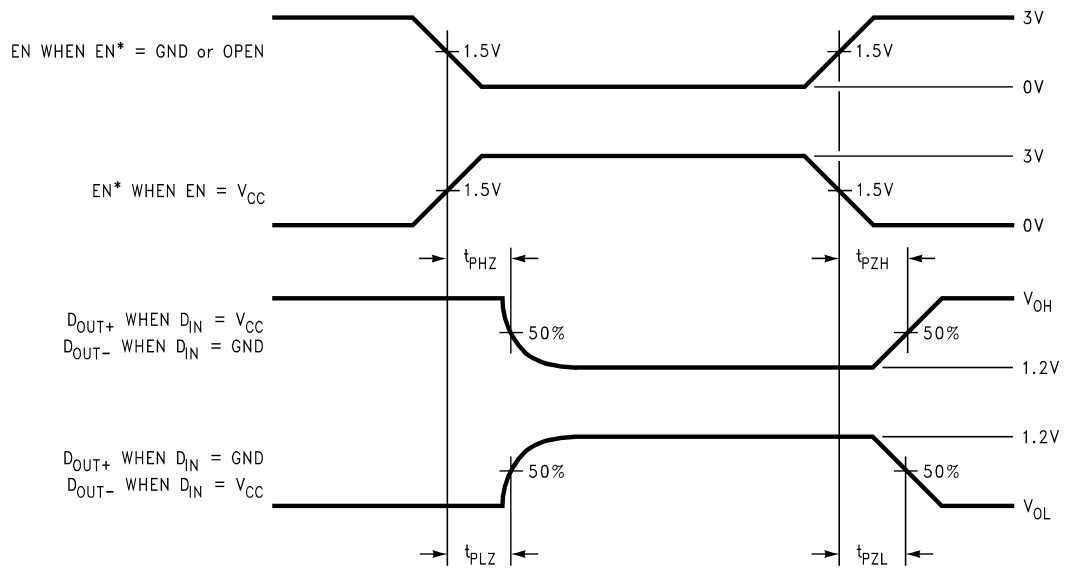


Figure 20. Driver TRI-STATE Delay Test Circuit

**Parameter Measurement Information (continued)**



**Figure 21. Driver TRI-STATE Delay Waveform**

## 8 Detailed Description

### 8.1 Overview

LVDS drivers and receivers are intended to be primarily used in an uncomplicated point-to-point configuration as is shown in [Figure 23](#). This configuration provides a clean signaling environment for the fast edge rates of the drivers. The receiver is connected to the driver through a balanced media which may be a standard twisted pair cable, a parallel pair cable, or simply PCB traces. Typically, the characteristic differential impedance of the media is in the range of 100  $\Omega$ . A termination resistor of 100  $\Omega$  (selected to match the media), and is located as close to the receiver input pins as possible. The termination resistor converts the driver output current (current mode) into a voltage that is detected by the receiver. Other configurations are possible such as a multi-receiver configuration, but the effects of a mid-stream connector(s), cable stub(s), and other impedance discontinuities as well as ground shifting, noise margin limits, and total termination loading must be taken into account.

The DS90LV047A differential line driver is a balanced current source design. A current mode driver, generally speaking has a high output impedance and supplies a constant current for a range of loads (a voltage mode driver on the other hand supplies a constant voltage for a range of loads). Current is switched through the load in one direction to produce a logic state and in the other direction to produce the other logic state. The output current is typically 3.1 mA, a minimum of 2.5 mA, and a maximum of 4.5 mA. The current mode driver **requires** (as discussed above) that a resistive termination be employed to terminate the signal and to complete the loop as shown in [Figure 23](#). AC or unterminated configurations are not allowed. The 3.1-mA loop current develops a differential voltage of 310 mV across the 100- $\Omega$  termination resistor which the receiver detects with a 250-mV minimum differential noise margin, (driven signal minus receiver threshold (250 mV – 100 mV = 150 mV). The signal is centered around +1.2 V (Driver Offset,  $V_{OS}$ ) with respect to ground as shown in [Figure 22](#).

---

#### NOTE

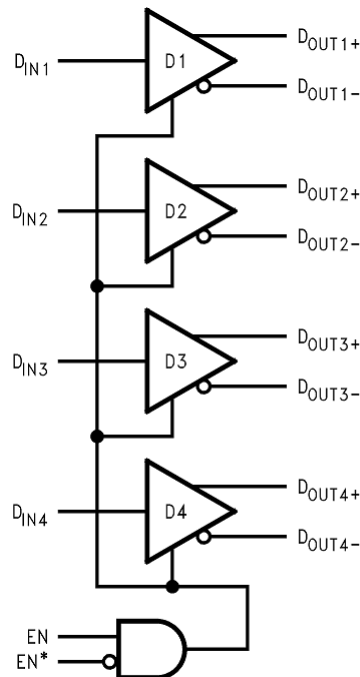
The steady-state voltage ( $V_{SS}$ ) peak-to-peak swing is twice the differential voltage ( $V_{OD}$ ) and is typically 620 mV.

---

The current mode driver provides substantial benefits over voltage mode drivers, such as an RS-422 driver. Its quiescent current remains relatively flat versus switching frequency. Whereas the RS-422 voltage mode driver increases exponentially in most case from 20 MHz to 50 MHz. This is due to the overlap current that flows between the rails of the device when the internal gates switch. Whereas the current mode driver switches a fixed current between its output without any substantial overlap current. This is similar to some ECL and PECL devices, but without the heavy static  $I_{CC}$  requirements of the ECL/PECL designs. LVDS requires > 80% less current than similar PECL devices. AC specifications for the driver are a tenfold improvement over other existing RS-422 drivers.

The TRI-STATE function allows the driver outputs to be disabled, thus obtaining an even lower power state when the transmission of data is not required.

## 8.2 Functional Block Diagram



Copyright © 2016, Texas Instruments Incorporated

## 8.3 Feature Description

### 8.3.1 LVDS Fail-Safe

This section addresses the common concern of fail-safe biasing of LVDS interconnects, specifically looking at the DS90LV047A driver outputs and the DS90LV048A receiver inputs.

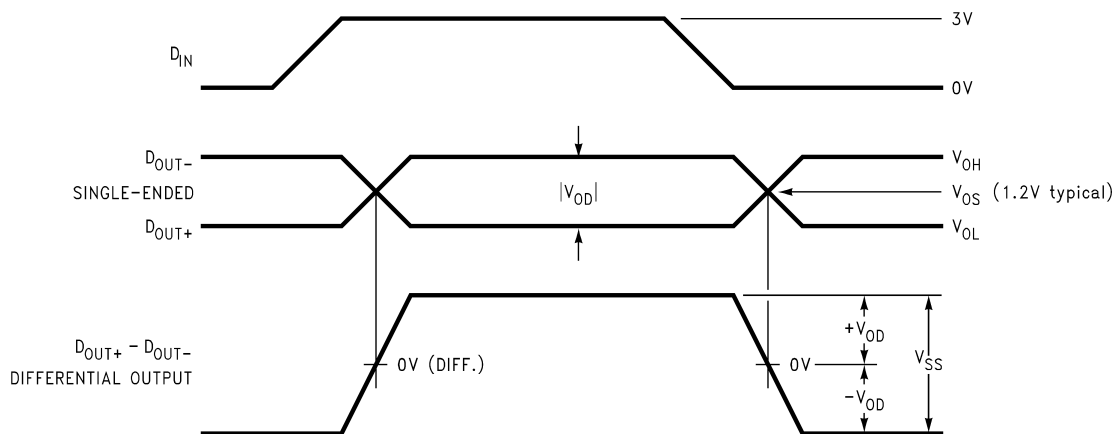
The LVDS receiver is a high-gain, high-speed device that amplifies a small differential signal (20 mV) to CMOS logic levels. Due to the high gain and tight threshold of the receiver, take care to prevent noise from appearing as a valid signal.

The internal fail-safe circuitry of the receiver is designed to source or sink a small amount of current, providing fail-safe protection (a stable known state of HIGH output voltage) for floating, terminated, or shorted receiver inputs.

1. **Open Input Pins.** The DS90LV048A is a quad receiver device, and if an application requires only 1, 2, or 3 receivers, the unused channel(s) inputs must be left OPEN. Do not tie unused receiver inputs to ground or any other voltages. The input is biased by internal high value pullup and pulldown resistors to set the output to a HIGH state. This internal circuitry ensures a HIGH, stable output state for open inputs.
2. **Terminated Input.** If the DS90LV047A driver is disconnected (cable unplugged), or if the DS90LV047A driver is in a TRI-STATE or power-off condition, the receiver output is again in a HIGH state, even with the end of cable 100-Ω termination resistor across the input pins. The unplugged cable can become a floating antenna which can pick up noise. If the cable picks up more than 10 mV of differential noise, the receiver may see the noise as a valid signal and switch. To insure that any noise is seen as common-mode and not differential, a balanced interconnect must be used. Twisted pair cable offers better balance than flat ribbon cable.
3. **Shorted Inputs.** If a fault condition occurs that shorts the receiver inputs together, thus resulting in a 0-V differential input voltage, the receiver output remains in a HIGH state. Shorted input fail-safe is not supported across the common-mode range of the device (GND to 2.4 V). It is only supported with inputs shorted and no external common-mode voltage applied.

**Feature Description (continued)**

External lower value pullup and pulldown resistors (for a stronger bias) may be used to boost fail-safe in the presence of higher noise levels. The pullup and pulldown resistors should be in the 5-kΩ to 15-kΩ range to minimize loading and waveform distortion to the driver. The common-mode bias point should be set to approximately 1.2 V (less than 1.75 V) to be compatible with the internal circuitry.



**Figure 22. Driver Output Levels**

**8.4 Device Functional Modes**

Table 1 lists the functional modes DS90LV047A.

**Table 1. Truth Table**

ENABLES		INPUT	OUTPUTS	
EN	EN*	$D_{IN}$	$D_{OUT+}$	$D_{OUT-}$
H	L or Open	L	L	H
		H	H	L
All other combinations of ENABLE inputs		X	Z	Z

## 9 Application and Implementation

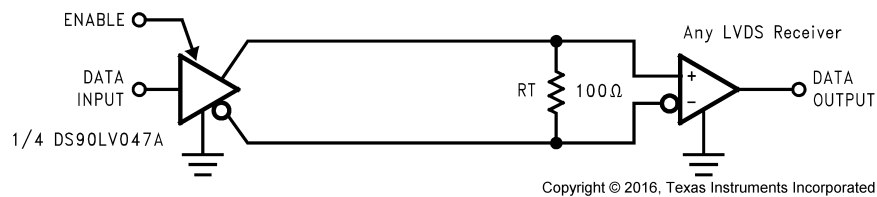
### NOTE

Information in the following applications sections is not part of the TI component specification, and TI does not warrant its accuracy or completeness. TI's customers are responsible for determining suitability of components for their purposes. Customers should validate and test their design implementation to confirm system functionality.

### 9.1 Application Information

The DS90LV047A has a flow-through pinout that allows for easy PCB layout. The LVDS signals on one side of the device easily allows for matching electrical lengths of the differential pair trace lines between the driver and the receiver as well as allowing the trace lines to be close together to couple noise as common-mode. Noise isolation is achieved with the LVDS signals on one side of the device and the TTL signals on the other side.

### 9.2 Typical Application



**Figure 23. Point-to-Point Application**

#### 9.2.1 Design Requirements

When using LVDS devices, it is important to remember to specify controlled impedance PCB traces, cable assemblies, and connectors. All components of the transmission media should have a matched differential impedance of about 100  $\Omega$ . They should not introduce major impedance discontinuities.

Balanced cables (for example, twisted pair) are usually better than unbalanced cables (ribbon cable) for noise reduction and signal quality. Balanced cables tend to generate less EMI due to field canceling effects and also tend to pick up electromagnetic radiation as common-mode (not differential mode) noise which is rejected by the LVDS receiver.

For cable distances  $< 0.5$  M, most cables can be made to work effectively. For distances  $0.5 \text{ M} \leq d \leq 10 \text{ M}$ , CAT5 (Category 5) twisted pair cable works well, is readily available and relatively inexpensive.

#### 9.2.2 Detailed Design Procedure

##### 9.2.2.1 Probing LVDS Transmission Lines

Always use high impedance ( $> 100 \text{ k}\Omega$ ), low capacitance ( $< 2 \text{ pF}$ ) scope probes with a wide bandwidth (1 GHz) scope. Improper probing gives deceiving results.

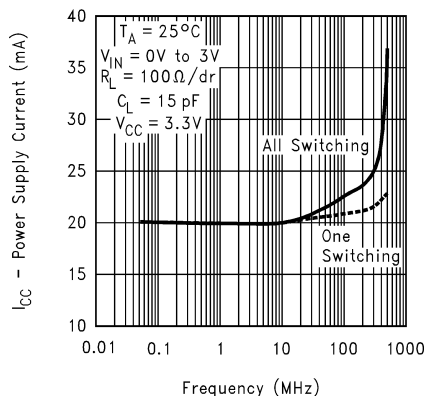
##### 9.2.2.2 Data Rate vs Cable Length Graph Test Procedure

A pseudo-random bit sequence (PRBS) of  $2^9 - 1$  bits was programmed into a function generator (Tektronix HFS9009) and connected to the driver inputs through 50- $\Omega$  cables and SMB connectors. An oscilloscope (Tektronix 11801B) was used to probe the resulting eye pattern, measured differentially at the input to the receiver. A 100- $\Omega$  resistor was used to terminate the pair at the far end of the cable. The measurements were taken at the far end of the cable, at the input of the receiver, and used for the jitter analysis for this graph (Figure 16). The frequency of the input signal was increased until the measured jitter ( $t_{jcs}$ ) equaled 20% with respect to the unit interval ( $t_{ui}$ ) for the particular cable length under test. Twenty percent jitter is a reasonable place to start with many system designs. The data used was NRZ. Jitter was measured at the 0-V differential voltage of the differential eye pattern. The DS90LV047A and DS90LV048A can be evaluated using the new DS90LV047-048AEVM.

**Typical Application (continued)**

Figure 24 shows very good typical performance that can be used as a design guideline for data rate vs cable length. Increasing the jitter percentage increases the curve respectively, allowing the device to transmit faster over longer cable lengths. This relaxes the jitter tolerance of the system allowing more jitter into the system, which could reduce the reliability and efficiency of the system. Alternatively, decreasing the jitter percentage has the opposite effect on the system. The area under the curve is considered the safe operating area based on the above signal quality criteria. For more information on eye pattern testing, please see [AN-808 Long Transmission Lines and Data Signal Quality](#) (SNLA028).

**9.2.3 Application Curve**



**Figure 24. Power Supply Current vs Frequency**

## 10 Power Supply Recommendations

Although the DS90LV047A draws very little power while at rest. At higher switching frequencies there is a dynamic current component which increases the overall power consumption. The DS90LV047A power supply connection must take this additional current consumption into consideration for maximum power requirements.

## 11 Layout

### 11.1 Layout Guidelines

- Use at least 4 PCB layers (top to bottom); LVDS signals, ground, power, TTL signals.
- Isolate TTL signals from LVDS signals, otherwise the TTL may couple onto the LVDS lines. It is best to put TTL and LVDS signals on different layers which are isolated by a power/ground plane(s).
- Keep drivers and receivers as close to the (LVDS port side) connectors as possible.

#### 11.1.1 Power Decoupling Recommendations

Bypass capacitors must be used on power pins. Use high frequency ceramic (surface mount is recommended) 0.1- $\mu$ F and 0.001- $\mu$ F capacitors in parallel at the power supply pin with the smallest value capacitor closest to the device supply pin. Additional scattered capacitors over the printed-circuit board improves decoupling. Multiple vias must be used to connect the decoupling capacitors to the power planes. A 10- $\mu$ F (35-V) or greater solid tantalum capacitor must be connected at the power entry point on the printed-circuit board between the supply and ground.

#### 11.1.2 Differential Traces

Use controlled impedance traces which match the differential impedance of your transmission medium (that is, cable) and termination resistor. Run the differential pair trace lines as close together as possible as soon as they leave the IC (stubs must be < 10 mm long). This helps eliminate reflections and ensure noise is coupled as common-mode. In fact, we have seen that differential signals which are 1 mm apart radiate far less noise than traces 3 mm apart since magnetic field cancellation is much better with the closer traces. In addition, noise induced on the differential lines is much more likely to appear as common-mode which is rejected by the receiver.

Match electrical lengths between traces to reduce skew. Skew between the signals of a pair means a phase difference between signals, which destroys the magnetic field cancellation benefits of differential signals and EMI, results.

---

#### NOTE

The velocity of propagation,  $v = c/Er$  where  $c$  (the speed of light) = 0.2997mm/ps or 0.0118 in/ps

---

Do not rely solely on the autoroute function for differential traces. Carefully review dimensions to match differential impedance and provide isolation for the differential lines. Minimize the number of vias and other discontinuities on the line.

Avoid 90° turns (these cause impedance discontinuities). Use arcs or 45° bevels.

Within a pair of traces, the distance between the two traces must be minimized to maintain common-mode rejection of the receivers. On the printed-circuit board, this distance must remain constant to avoid discontinuities in differential impedance. Minor violations at connection points are allowable.

#### 11.1.3 Termination

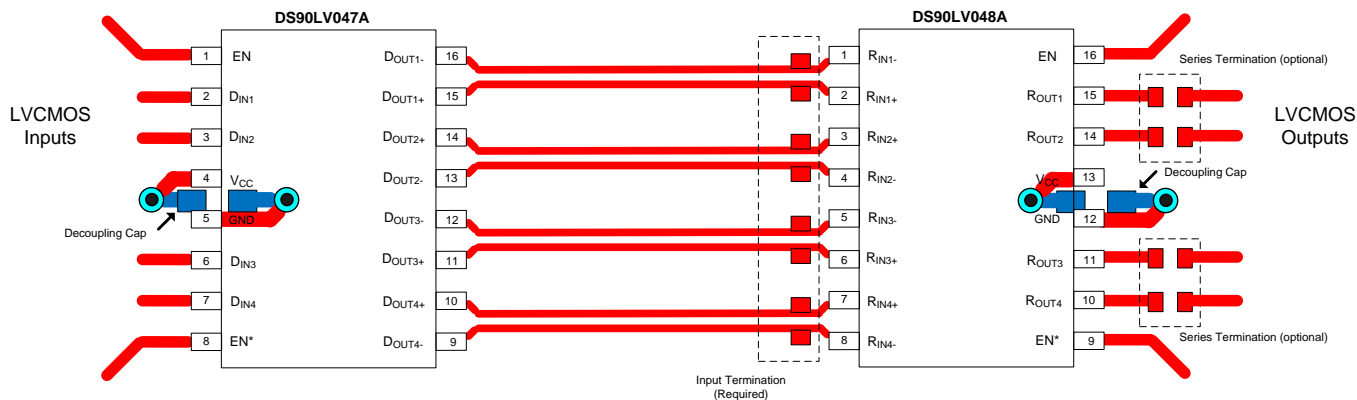
Use a termination resistor which best matches the differential impedance or your transmission line. The resistor must be between 90  $\Omega$  and 130  $\Omega$ . Remember that the current mode outputs need the termination resistor to generate the differential voltage. LVDS does not work without resistor termination. Typically, connecting a single resistor across the pair at the receiver end will suffice.



**Layout Guidelines (continued)**

Surface mount 1% to 2% resistors are best. PCB stubs, component lead, and the distance from the termination to the receiver inputs must be minimized. The distance between the termination resistor and the receiver should be < 10 mm (12 mm maximum).

**11.2 Layout Example**



**Figure 25. Layout Recommendation**

## 12 Device and Documentation Support

### 12.1 Documentation Support

#### 12.1.1 Related Documentation

For related documentation, see the following:

- [LVDS Owner's Manual](#) (SNLA187)
- [AN-808 Long Transmission Lines and Data Signal Quality](#) (SNLA028)
- [AN-977 LVDS Signal Quality: Jitter Measurements Using Eye Patterns Test Report #1](#) (SNLA166)
- [AN-971 An Overview of LVDS Technology](#) (SNLA165)
- [AN-916 A Practical Guide to Cable Selection](#) (SNLA219)
- [AN-805 Calculating Power Dissipation for Differential Line Drivers](#) (SNOA233)
- [AN-903 A Comparison of Differential Termination Techniques](#) (SNLA034)
- [AN-1194 Failsafe Biasing of LVDS Interfaces](#) (SNLA051)

#### 12.2 Receiving Notification of Documentation Updates

To receive notification of documentation updates, navigate to the device product folder on ti.com. In the upper right corner, click on *Alert me* to register and receive a weekly digest of any product information that has changed. For change details, review the revision history included in any revised document.

#### 12.3 Community Resources

The following links connect to TI community resources. Linked contents are provided "AS IS" by the respective contributors. They do not constitute TI specifications and do not necessarily reflect TI's views; see TI's [Terms of Use](#).

**TI E2E™ Online Community** *TI's Engineer-to-Engineer (E2E) Community*. Created to foster collaboration among engineers. At e2e.ti.com, you can ask questions, share knowledge, explore ideas and help solve problems with fellow engineers.

**Design Support** *TI's Design Support* Quickly find helpful E2E forums along with design support tools and contact information for technical support.

#### 12.4 Trademarks

E2E is a trademark of Texas Instruments.  
All other trademarks are the property of their respective owners.

#### 12.5 Electrostatic Discharge Caution



These devices have limited built-in ESD protection. The leads should be shorted together or the device placed in conductive foam during storage or handling to prevent electrostatic damage to the MOS gates.

#### 12.6 Glossary

[SLYZ022](#) — *TI Glossary*.

This glossary lists and explains terms, acronyms, and definitions.

## 13 Mechanical, Packaging, and Orderable Information

The following pages include mechanical, packaging, and orderable information. This information is the most current data available for the designated devices. This data is subject to change without notice and revision of this document. For browser-based versions of this data sheet, refer to the left-hand navigation.

**PACKAGING INFORMATION**

Orderable Device	Status (1)	Package Type	Package Drawing	Pins	Package Qty	Eco Plan (2)	Lead finish/ Ball material (6)	MSL Peak Temp (3)	Op Temp (°C)	Device Marking (4/5)	Samples
DS90LV047ATM	NRND	SOIC	D	16	48	Non-RoHS & Green	Call TI	Call TI	-40 to 85	DS90LV047A TM	
DS90LV047ATM/NOPB	ACTIVE	SOIC	D	16	48	RoHS & Green	SN	Level-1-260C-UNLIM	-40 to 85	DS90LV047A TM	<b>Samples</b>
DS90LV047ATMTC	NRND	TSSOP	PW	16	92	Non-RoHS & Green	Call TI	Call TI	-40 to 85	DS90LV 047AT	
DS90LV047ATMTC/NOPB	ACTIVE	TSSOP	PW	16	92	RoHS & Green	SN	Level-1-260C-UNLIM	-40 to 85	DS90LV 047AT	<b>Samples</b>
DS90LV047ATMTCX/NOPB	ACTIVE	TSSOP	PW	16	2500	RoHS & Green	SN	Level-1-260C-UNLIM	-40 to 85	DS90LV 047AT	<b>Samples</b>
DS90LV047ATMX/NOPB	ACTIVE	SOIC	D	16	2500	RoHS & Green	SN	Level-1-260C-UNLIM	-40 to 85	DS90LV047A TM	<b>Samples</b>

(1) The marketing status values are defined as follows:

**ACTIVE:** Product device recommended for new designs.

**LIFEBUY:** TI has announced that the device will be discontinued, and a lifetime-buy period is in effect.

**NRND:** Not recommended for new designs. Device is in production to support existing customers, but TI does not recommend using this part in a new design.

**PREVIEW:** Device has been announced but is not in production. Samples may or may not be available.

**OBSELETE:** TI has discontinued the production of the device.

(2) **RoHS:** TI defines "RoHS" to mean semiconductor products that are compliant with the current EU RoHS requirements for all 10 RoHS substances, including the requirement that RoHS substance do not exceed 0.1% by weight in homogeneous materials. Where designed to be soldered at high temperatures, "RoHS" products are suitable for use in specified lead-free processes. TI may reference these types of products as "Pb-Free".

**RoHS Exempt:** TI defines "RoHS Exempt" to mean products that contain lead but are compliant with EU RoHS pursuant to a specific EU RoHS exemption.

**Green:** TI defines "Green" to mean the content of Chlorine (Cl) and Bromine (Br) based flame retardants meet JS709B low halogen requirements of <=1000ppm threshold. Antimony trioxide based flame retardants must also meet the <=1000ppm threshold requirement.

(3) MSL, Peak Temp. - The Moisture Sensitivity Level rating according to the JEDEC industry standard classifications, and peak solder temperature.

(4) There may be additional marking, which relates to the logo, the lot trace code information, or the environmental category on the device.

(5) Multiple Device Markings will be inside parentheses. Only one Device Marking contained in parentheses and separated by a "-" will appear on a device. If a line is indented then it is a continuation of the previous line and the two combined represent the entire Device Marking for that device.

<sup>(6)</sup> Lead finish/Ball material - Orderable Devices may have multiple material finish options. Finish options are separated by a vertical ruled line. Lead finish/Ball material values may wrap to two lines if the finish value exceeds the maximum column width.

**Important Information and Disclaimer:**The information provided on this page represents TI's knowledge and belief as of the date that it is provided. TI bases its knowledge and belief on information provided by third parties, and makes no representation or warranty as to the accuracy of such information. Efforts are underway to better integrate information from third parties. TI has taken and continues to take reasonable steps to provide representative and accurate information but may not have conducted destructive testing or chemical analysis on incoming materials and chemicals. TI and TI suppliers consider certain information to be proprietary, and thus CAS numbers and other limited information may not be available for release.

In no event shall TI's liability arising out of such information exceed the total purchase price of the TI part(s) at issue in this document sold by TI to Customer on an annual basis.

## TAPE AND REEL INFORMATION



### QUADRANT ASSIGNMENTS FOR PIN 1 ORIENTATION IN TAPE



\*All dimensions are nominal

Device	Package Type	Package Drawing	Pins	SPQ	Reel Diameter (mm)	Reel Width W1 (mm)	A0 (mm)	B0 (mm)	K0 (mm)	P1 (mm)	W (mm)	Pin1 Quadrant
DS90LV047ATMTCX/NO PB	TSSOP	PW	16	2500	330.0	12.4	6.95	5.6	1.6	8.0	12.0	Q1
DS90LV047ATMX/NOPB	SOIC	D	16	2500	330.0	16.4	6.5	10.3	2.3	8.0	16.0	Q1

**TAPE AND REEL BOX DIMENSIONS**


\*All dimensions are nominal

Device	Package Type	Package Drawing	Pins	SPQ	Length (mm)	Width (mm)	Height (mm)
DS90LV047ATMTCX/NOPB	TSSOP	PW	16	2500	367.0	367.0	35.0
DS90LV047ATMX/NOPB	SOIC	D	16	2500	367.0	367.0	35.0

D (R-PDSO-G16)

PLASTIC SMALL OUTLINE



4040047-6/M 06/11

- NOTES:
- A. All linear dimensions are in inches (millimeters).
  - B. This drawing is subject to change without notice.
  -  Body length does not include mold flash, protrusions, or gate burrs. Mold flash, protrusions, or gate burrs shall not exceed 0.006 (0,15) each side.
  -  Body width does not include interlead flash. Interlead flash shall not exceed 0.017 (0,43) each side.
  - E. Reference JEDEC MS-012 variation AC.



4220204/A 02/2017

NOTES:

- All linear dimensions are in millimeters. Any dimensions in parenthesis are for reference only. Dimensioning and tolerancing per ASME Y14.5M.
- This drawing is subject to change without notice.
- This dimension does not include mold flash, protrusions, or gate burrs. Mold flash, protrusions, or gate burrs shall not exceed 0.15 mm per side.
- This dimension does not include interlead flash. Interlead flash shall not exceed 0.25 mm per side.
- Reference JEDEC registration MO-153.



# EXAMPLE BOARD LAYOUT

PW0016A

TSSOP - 1.2 mm max height

SMALL OUTLINE PACKAGE



LAND PATTERN EXAMPLE  
EXPOSED METAL SHOWN  
SCALE: 10X



SOLDER MASK DETAILS

4220204/A 02/2017

NOTES: (continued)

- 6. Publication IPC-7351 may have alternate designs.
- 7. Solder mask tolerances between and around signal pads can vary based on board fabrication site.

# EXAMPLE STENCIL DESIGN

PW0016A

TSSOP - 1.2 mm max height

SMALL OUTLINE PACKAGE



SOLDER PASTE EXAMPLE  
BASED ON 0.125 mm THICK STENCIL  
SCALE: 10X

4220204/A 02/2017

NOTES: (continued)

8. Laser cutting apertures with trapezoidal walls and rounded corners may offer better paste release. IPC-7525 may have alternate design recommendations.
9. Board assembly site may have different recommendations for stencil design.

## IMPORTANT NOTICE AND DISCLAIMER

TI PROVIDES TECHNICAL AND RELIABILITY DATA (INCLUDING DATASHEETS), DESIGN RESOURCES (INCLUDING REFERENCE DESIGNS), APPLICATION OR OTHER DESIGN ADVICE, WEB TOOLS, SAFETY INFORMATION, AND OTHER RESOURCES "AS IS" AND WITH ALL FAULTS, AND DISCLAIMS ALL WARRANTIES, EXPRESS AND IMPLIED, INCLUDING WITHOUT LIMITATION ANY IMPLIED WARRANTIES OF MERCHANTABILITY, FITNESS FOR A PARTICULAR PURPOSE OR NON-INFRINGEMENT OF THIRD PARTY INTELLECTUAL PROPERTY RIGHTS.

These resources are intended for skilled developers designing with TI products. You are solely responsible for (1) selecting the appropriate TI products for your application, (2) designing, validating and testing your application, and (3) ensuring your application meets applicable standards, and any other safety, security, or other requirements. These resources are subject to change without notice. TI grants you permission to use these resources only for development of an application that uses the TI products described in the resource. Other reproduction and display of these resources is prohibited. No license is granted to any other TI intellectual property right or to any third party intellectual property right. TI disclaims responsibility for, and you will fully indemnify TI and its representatives against, any claims, damages, costs, losses, and liabilities arising out of your use of these resources.

TI's products are provided subject to TI's Terms of Sale (<https://www.ti.com/legal/termsofsale.html>) or other applicable terms available either on [ti.com](https://www.ti.com) or provided in conjunction with such TI products. TI's provision of these resources does not expand or otherwise alter TI's applicable warranties or warranty disclaimers for TI products.

Mailing Address: Texas Instruments, Post Office Box 655303, Dallas, Texas 75265  
Copyright © 2021, Texas Instruments Incorporated