



Electrical

| | | | | |
|------------------------|--|--|--|--|
| Impedance | 50 ohm | | | |
| Frequency Range | DC-3 GHz | | | |
| VSWR | 1.15 max | | | |
| Input Avg Power | 5W@ 25°C ambient, derating linearly to 0.5W at 100°C | | | |
| Peak Power | 500W (5 micro-sec pulse width, 0.5% duty cycle) | | | |
| Direction | Bidirectional, 4.3-10 female to 4.3-10 male (other configurations available) | | | |

| | | | | |
|------------------------|------|------|-------|-------|
| Attenuation(dB) | 1-6 | 7-10 | 11-20 | 21-30 |
| Accuracy(dB) | ±0.3 | ±0.5 | ±0.6 | ±0.8 |

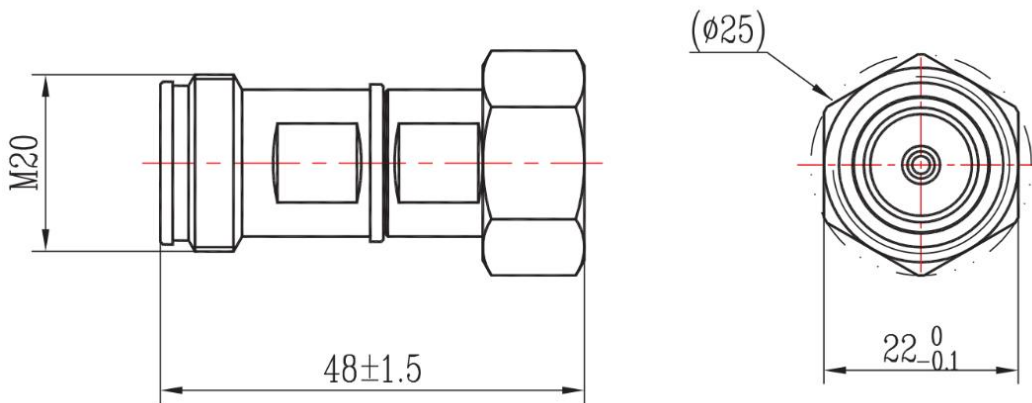
Mechanical

| | |
|-----------------------|------------------------------------|
| Connector Body | Ternary alloy plated brass |
| Heat Sink | N/A |
| Center Contact | Gold plated beryllium copper/brass |
| Net Weight | About 75 g |

Environmental

| | |
|--------------------------------|------------------|
| Operating Temperature | -55°C to 100°C |
| Storage Temperature | -55°C to 125°C |
| RoHS | Compliant |
| Temperature Coefficient | <0.0004 dB/dB/°C |

Dimensions(mm)



Notes

1. Customized dB values, outlines and optimal accuracy/VSWR available.

Model Description

RFHB03XX4310C5

1. XX for dB value: 06=6dB, 30=30dB

2. Code for connector configuration:

A=female for two ends; B=male for two ends

C=female for one end and male for the other.