

Coax Probes ATTACHED CABLE

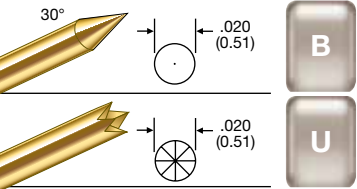
100445 & 100746 SIGNAL PLUNGERS



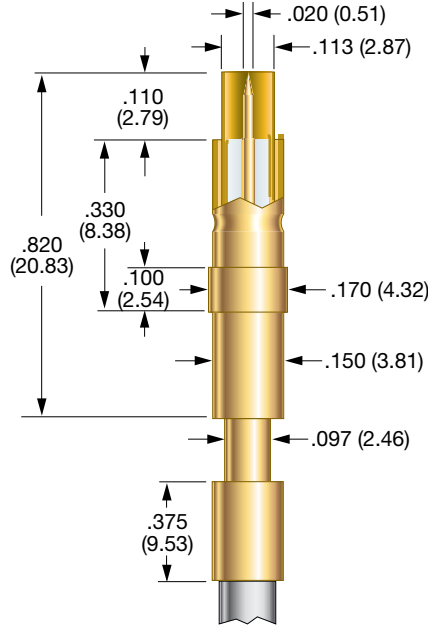
100445 & 100746 SHIELDING PLUNGERS



100999 PLUNGERS TIPS



100445/100746



PROBE SPECIFICATIONS

Minimum Centers: .200 (5.08)
 Current Rating: 3 amps continuous
 Spring Force: Signal Conductor:
 B Tip: 1.6 oz. @ .070 (1.78) travel
 A, ES, H Tips: 2.0 oz. @ .070 (1.78) travel
 Shielding Plunger: 4.3 oz. @ .070 (1.78) travel
 Nominal Impedance: 50 Ω
 Maximum Travel:
 .090 (2.29) for tip B
 .075 (1.91) for tips A, ES, H
 Working Travel: .070 (1.78)

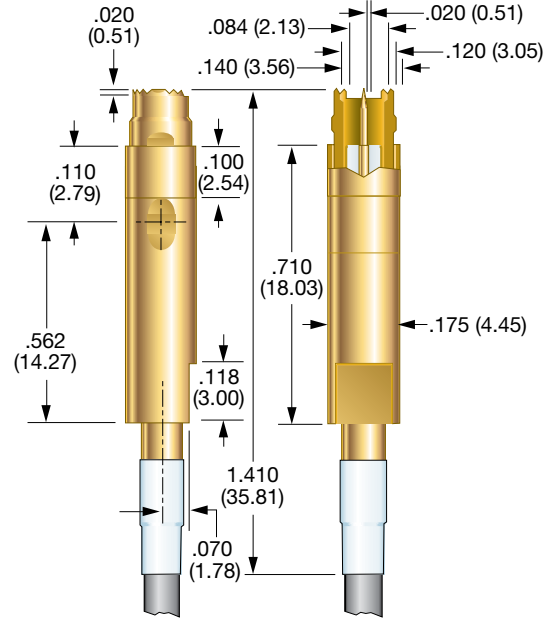
MATERIALS

Barrel: Brass, gold plated
 Spring:
 Signal Conductor: Beryllium copper, gold plated
 Shielding Plunger: Stainless steel, gold plated
 Shielding Plunger: Beryllium copper, gold plated
 Dielectric Insulator: Teflon
 Shielding Tube: Stainless steel, gold plated
 Signal Conductor: Series S, Size 00 probe
 Crimp Ferrule: Brass, gold plated
 Coaxial Cable: 100445: RG 174U
 100746: RG 316

HOW TO ORDER

100445	B	F	N	12	AM
BASE PART NUMBER	SIGNAL PROBE TIP	MOUNTING FLANGE	SHIELDING PLUNGER	CABLE LENGTH	CABLE TERMINATION
SHIELDING PLUNGER:			CABLE LENGTH:	AM: SMA MALE	
S: SERRATED			12 - 12 INCHES	AF: SMA FEMALE	
N: FLAT			36 - 36 INCHES	NC: NO CONNECTOR	
				N: WITHOUT FLANGE	
				F: WITH FLANGE	

100999



PROBE SPECIFICATIONS

Minimum Centers: .200 (5.08)
 Current Rating: 3 amps continuous
 Spring Force: Signal Conductor:
 B Tip: 1.6 oz. @ .070 (1.78) travel
 U Tip: 3.3 oz. @ .070 (1.78) travel
 Shielding Plunger: 4.5 oz. @ .070 (1.78) travel
 Nominal Impedance: 50 Ω
 Maximum Travel: .090 (2.29)
 Working Travel: .070 (1.78)

MATERIALS

Barrel: Brass, gold plated
 Spring:
 Signal Conductor: Beryllium copper, gold plated
 Shielding Plunger: Stainless steel, gold plated
 Shielding Plunger: Beryllium copper, gold plated
 Dielectric Insulator: Teflon
 Shielding Tube: Brass, gold plated
 Signal Conductor: Series S, Size 00 probe
 Coaxial Cable: Semi-flex or flex cable

HOW TO ORDER

100999	B	12	AM	F
BASE PART NUMBER	SIGNAL PROBE TIP	CABLE LENGTH	TERMINATION	CABLE TYPE
CABLE LENGTH:		AM: SMA MALE	F: FLEX	
12 - 12 INCHES		AF: SMA FEMALE	S: SEMI-FLEX	
36 - 36 INCHES		NC: NO CONNECTOR		

* WHEN ORDERING WITH A PREATTACHED CONNECTOR, PLEASE NOTE THAT THE CONNECTOR WILL NOT FIT THROUGH THE PROBE MOUNTING HOLE. THE PROBE MUST BE INSERTED FROM THE BOTTOM SIDE OF THE MOUNTING PLATE.

CONSULT IDI FOR MORE INFORMATION.

Specifications subject to change without notice. Dimensions in inches (millimeters)

Mouser Electronics

Authorized Distributor

Click to View Pricing, Inventory, Delivery & Lifecycle Information:

Smiths Interconnect:

[ICT-50J-B-7-G-S](#) [S-50C-T-5.4-G-S](#) [S-100-UST-6.7-G-S](#) [100526-H-10-AM](#) [100803-00](#) [S-075-VLT-7-G-S](#) [100445-H-F-N-24-AM](#) [100526-J-08-AM](#) [S-075-J-7-G](#) [S-100-VLT-8-G-S](#) [S-075-SP-5-G-S](#) [100526-B-06-AM](#) [S-075-B-7-G](#) [S-075-VT-7-G-S](#) [S-075-SP-7-G-S](#) [S-075-J-5-G](#) [S-100-R-8-G-S](#) [S-075-UST-5-G-S](#) [S-075-M-7-G-S](#) [S-100-W-6.7-G-S](#) [S-075-M-5-G-S](#) [S-075-VLT-5-G-S](#) [S-100-VLT-6.7-G-S](#) [S-075-UST-7-G-S](#) [100526-B-08-AM](#) [S-075-B-5-G](#) [S-100-UST-8-G-S](#) [S-100-R-3.5-G-S](#) [S-50C-J-5.4-DG](#) [SW-5-F-4.0-115-](#) [S-075-T-3.8-RT](#) [S-075-S-3.8-RT](#) [S-00-G-1.3-G-DS-36-1](#) [100910-ES-S](#) [S-075-TX-7.0-G](#) [S-075-H-7.0-G](#) [S-00-J-1.3-G-DS-36-1](#) [S-100-TX-5.5-G](#) [S-100-TX-8-G](#) [S-100-LM-3.5-G](#) [S-075-SP-10-G](#) [S-075-J-7-G-S](#) [S-0-T6-2.2-D S/C](#) [S-0-T6-2.2-G S/C](#) [S-0-T6-2.5-D S/C](#) [S-0-T6-2.5-G S/C](#) [S-0-T6-3.7-D S/C](#) [S-0-T6-3.7-G S/C](#) [S-2-D-4-E/N D/C](#) [S-2-J-4-G S/C](#) [SGR-2-B-3.7-G-880 S/C](#) [SGR-2-B-4-G S/C](#) [SS-10-7-G S/C W/HOLE](#) [.373 OAL](#) [SS-1-7-G S/C W/HOLE](#) [.385 OAL](#) [SS-18-7-G S/C W/HOLE](#) [.405 OAL](#) [SS-19-3.8-G S/C W/HOLE](#) [.400 OAL](#) [SS-19-7-G S/C W/HOLE](#) [.400 OAL](#) [SS-2-3.8-G S/C W/HOLE](#) [.373 OAL](#) [SS-30-B-1.3-D D/C](#) [SS-30-B-1.3-G D/C](#) [SS-30-B-1.6-D D/C](#) [SS-30-B-1.6-G D/C](#) [SS-30-J-1.3-D D/C](#) [SS-30-J-1.3-G D/C](#) [SS-30-J-1.6-D D/C](#) [SS-30-J-1.6-G D/C](#) [SS-30-U-1.3-D D/C](#) [SS-30-U-1.3-G D/C](#) [SS-30-U-1.6-D D/C](#) [SS-30-U-1.6-G D/C](#) [SS-30-UT-1.3-D D/C](#) [SS-30-UT-1.3-G D/C](#) [SS-30-UT-1.6-D D/C](#) [SS-30-UT-1.6-G D/C](#) [SS-3-3.8-G S/C W/HOLE](#) [.373 OAL](#) [SS-3-7-G S/C W/HOLE](#) [.373 OAL](#) [SS-40-C-1.8-G D/C](#) [SS-40-C-2.4-G D/C](#) [SS-4-7-G S/C W/HOLE](#) [.385 OAL](#) [SS-50-G-2.9-G S/C](#) [SS-50-G-3.3-D S/C](#) [SS-50-G-3.3-G S/C](#) [SS-50-G-5.1-D S/C](#) [SS-50-G-5.1-G S/C](#) [SSX-50-A-2.9-D D/C](#) [SSX-50-A-2.9-G D/C](#) [SSX-50-A-3.3-D D/C](#) [SSX-50-A-3.3-G D/C](#) [SSX-50-A-5.1-G D/C](#) [SSX-50-B-2.9-D D/C](#) [SSX-50-B-2.9-G D/C](#) [SSX-50-B-3.3-D D/C](#) [SSX-50-B-3.3-G D/C](#) [SSX-50-B-5.1-D D/C](#) [SSX-50-B-5.1-G D/C](#) [SSX-50-B9-2.9-D D/C](#) [SSX-50-B9-2.9-G D/C](#) [SSX-50-B9-3.3-D D/C](#) [SSX-50-B9-5.1-D D/C](#) [SSX-50-B9-5.1-G D/C](#)