

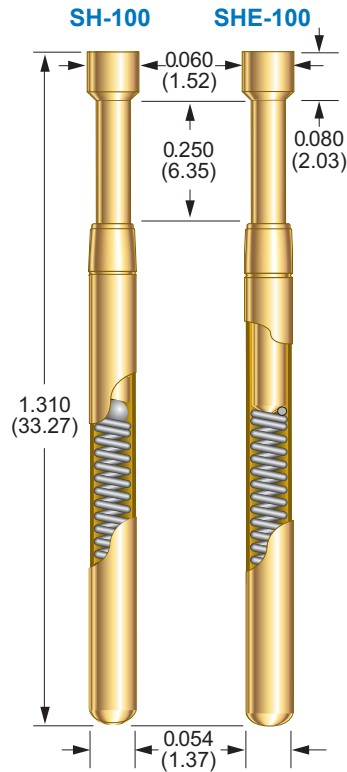
► **SH-100 & SHE-100 SERIES**

0.100 (2.54) Centers

For RH-100 Series Receptacles see pg. 69

SHE-100 BECU TIPS	DIAMETER
<b>A</b>	0.060 (1.52)
<b>B</b>	0.036 (0.91)
<b>H</b>	0.060 (1.52)
<b>K</b>	0.060 (1.52)

SH-100 BECU TIPS	DIAMETER
<b>A</b>	0.060 (1.52)
<b>F</b>	0.060 (1.52)
<b>H</b>	0.060 (1.52)
<b>J</b>	0.036 (0.91)



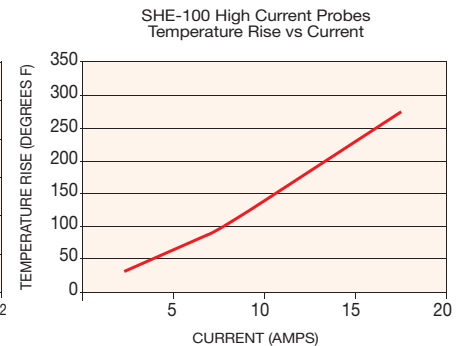
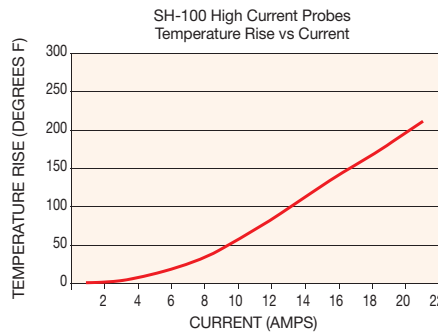
**PROBE SPECIFICATIONS**

<b>Minimum Centers</b>	0.100 (2.54)
<b>Current Rating</b>	SHE-100: 8 A continuous SH-100: 15 A continuous <i>(individual probe in free air @ ambient temperature)</i>
<b>Spring Force</b>	4.00 oz (113 g) <sup>(1)</sup> or 6.70 oz (190 g) @ 0.170 (4.32) travel
<b>Preload Force</b>	1.60 oz (45 g) (4.00 oz spring) <sup>(1)</sup> 2.40 oz (68 g) (6.70 oz spring)
<b>Maximum Travel</b>	0.250 (6.35)
<b>Working Travel</b>	0.170 (4.32)

**MATERIALS**

<b>Barrel</b>	High performance copper alloy, gold plated
<b>Spring</b>	Stainless steel
<b>Plunger</b>	Beryllium copper, gold plated
<b>Ball<sup>(1)</sup></b>	Stainless steel

**0.100 CENTER HIGH CURRENT PROBES CURRENT RATINGS<sup>(2)</sup>**



**HOW TO ORDER**

	SHE - 100 - A - 6.7 - G				
	1	2	3	4	5
<b>1</b> ► SERIES	SH		SHE		
<b>2</b> ► SIZE		100			
<b>3</b> ► TIP STYLE	A, B, F, H, J, K				
<b>4</b> ► SPRING FORCE	4 oz. <sup>(1)</sup>		6.7 oz.		
<b>5</b> ► PLUNGER PLATING	G GOLD				

1. For SH-100 Series only

2. Smiths Connectors' current ratings are defined as the maximum current at which the temperature rise of the probe does not exceed 144°F (80°C) for a single probe in free air at ambient temperature for one hour. Dimensions are in inches (mm) | All specifications are subject to change

# Mouser Electronics

Authorized Distributor

Click to View Pricing, Inventory, Delivery & Lifecycle Information:

[Smiths Interconnect:](#)

[SHE-100-K-6.7-G](#) [SHE-100-B-6.7-G](#) [SHE-100-H-6.7-G](#) [SHE-100-A-6.7-G](#)