



Coaxial RF Termination

RFT40052922A

DC-40 GHz, 2.92mm Male, 5 Watts

Rev 1

Electrical

| | |
|------------------------|---|
| Impedance | 50 ohm |
| Frequency Range | DC-40 GHz |
| VSWR | 1.25 max |
| Input Avg Power | 5W@25°C ambient, derating linearly to 1W at 100°C |
| Peak Power | 200W (5 micro-sec pulse width, 2% duty cycle) |

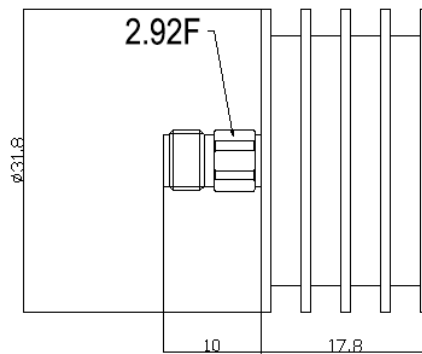
Mechanical

| | |
|-----------------------|----------------------------|
| Connector Body | Passivated stainless steel |
| Center Contact | 1.27um gold plated BeCu |
| Heat Sink | Black anodized aluminum |

Environmental

| | |
|-----------------------|----------------|
| Operating Temp | -55°C to 100°C |
| Storage Temp | -55°C to 125°C |
| RoHS | Compliant |

Dimensions(mm)



Typical Test Data

