



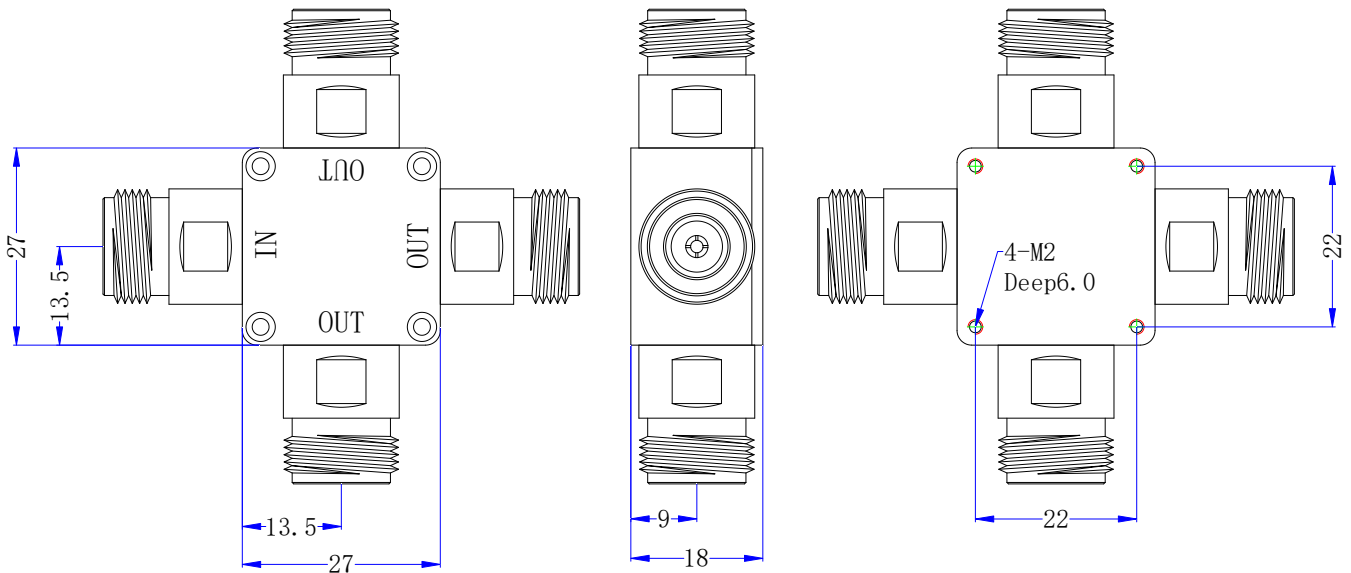
Electrical & Environmental

Impedance	50 ohm
Number of Output Ports	3 Way
Frequency Range	DC-6 GHz
Insertion Loss	≤0.8dB @ DC~3.0 GHz, ≤1.2dB @ 3.0~6.0 GHz (Excluding theoretical loss 9.5dB)
VSWR	≤ 1.2
Input Power	≤1 watt (Forward), ≤0.1 watt(Reverse)
Operating Temperature	-40℃ ~ +85℃

Mechanical

Input/Output Connectors	N Female Body: Brass; Center contact: Gold plated BeCu
Housing Finishing	Aluminum alloy housing, with electric conductive oxidation

Dimensions(Unit: mm/[inch], Tolerance: ±0.3mm)





Typical Test Data

