



**DC-50GHz,2 Way 2.4mm Resistive Power Divider**

Rev 1

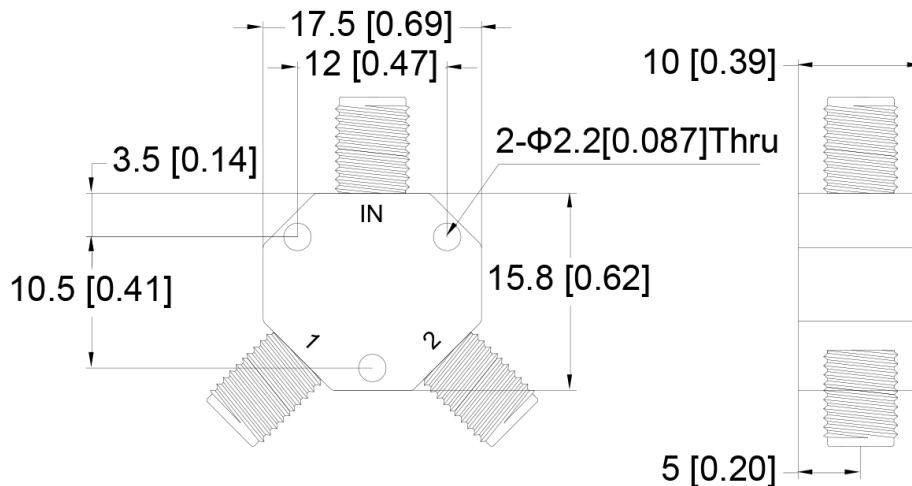
**Electrical & Environmental**

Impedance	50 ohm
Number of Output Ports	2 Way
Frequency Range	DC-50 GHz
Insertion Loss	≤ 2.0dB (Excluding theoretical loss 6.0dB)
VSWR	≤ 1.6 (Input), ≤ 2.5 (Output)
Isolation	≥ 10dB
Amplitude Balance	≤ ±0.7dB
Phase Balance	≤ ±7°
Input Power	≤1 Watts (Forward); ≤0.1 Watts (Reverse)
Operating Temperature	-40°C ~ +85°C

**Mechanical**

Input/Output Connectors	2.4mm Female Body: Stainless steel, Center contact: Gold plated BeCu
Housing	Blue painting
Weight	25g

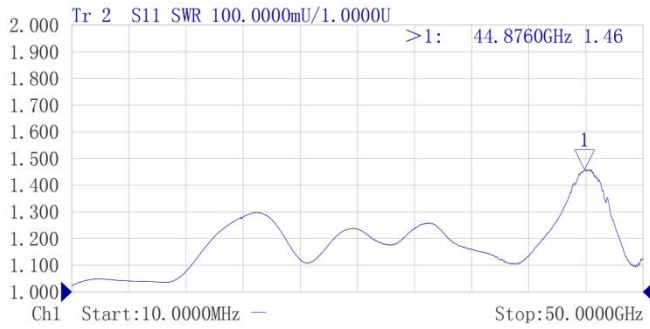
**Dimensions**(Unit: mm)



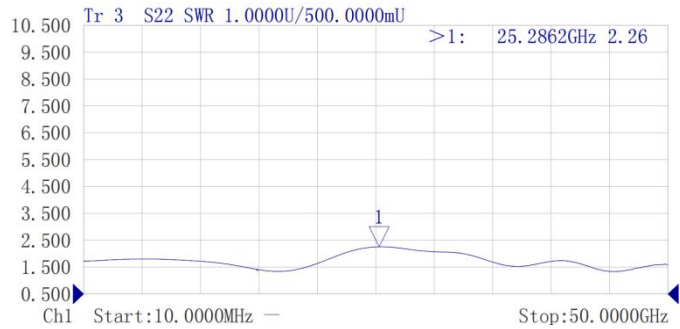


Typical Test Data

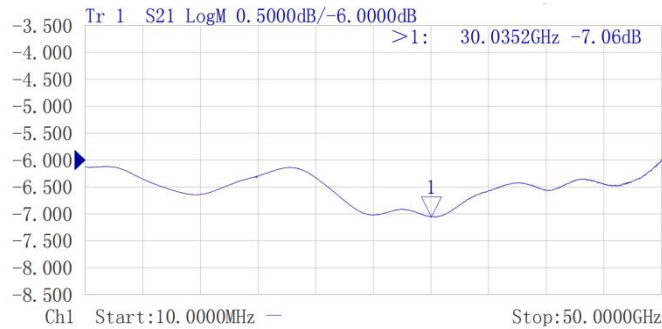
Input Port VSWR



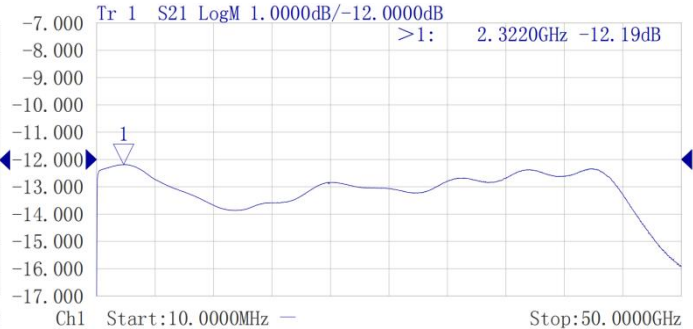
Output Port VSWR



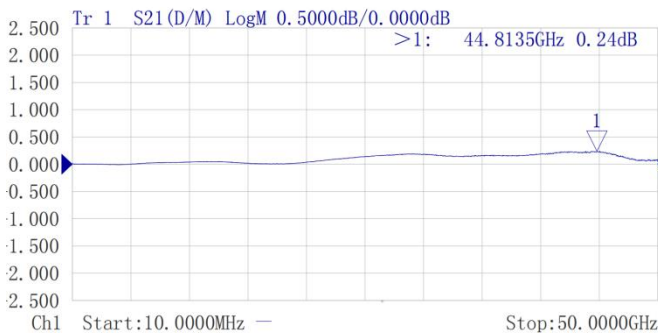
Insertion Loss



Isolation



Amplitude Balance



Phase Balance

