

# Coaxial RF Termination

## RFT0602QN2

DC-6 GHz, QN Male, 2 Watts



Rev 3

### Electrical

|                        |  |
|------------------------|--|
| <b>Impedance</b>       | 50 ohm   |
| <b>Frequency Range</b> | DC-6 GHz   |
| <b>VSWR</b>            | 1.2 max  |
| <b>Input Avg Power</b> | 2W@ 25°C ambient, derating linearly to 0.2W at 100°C |
| <b>Peak Power</b>      | 250W (5 micro-sec pulse width, 0.4% duty cycle)      |

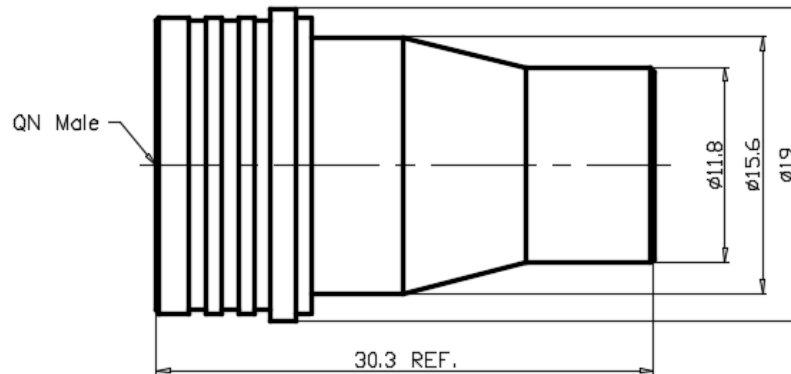
### Mechanical

|                       |                            |
|-----------------------|----------------------------|
| <b>Connector Body</b> | Ternary alloy plated brass |
| <b>Center Contact</b> | Gold plated brass          |
| <b>Heat Sink</b>      | N/A                        |

### Environmental

|                       |                |
|-----------------------|----------------|
| <b>Operating Temp</b> | -55°C to 100°C |
| <b>Storage Temp</b>   | -55°C to 125°C |
| <b>RoHS</b>           | Compliant      |

### Dimensions(mm)



### Notes

1. Customized outlines and optimal VSWR available.